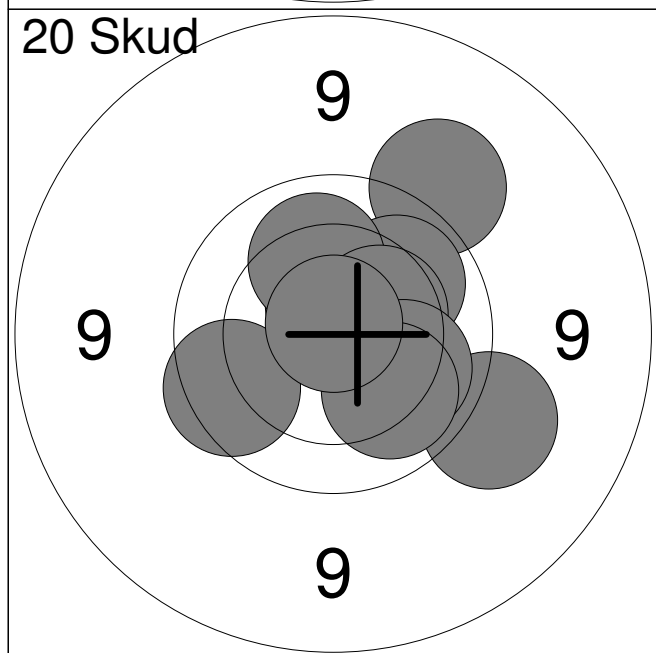
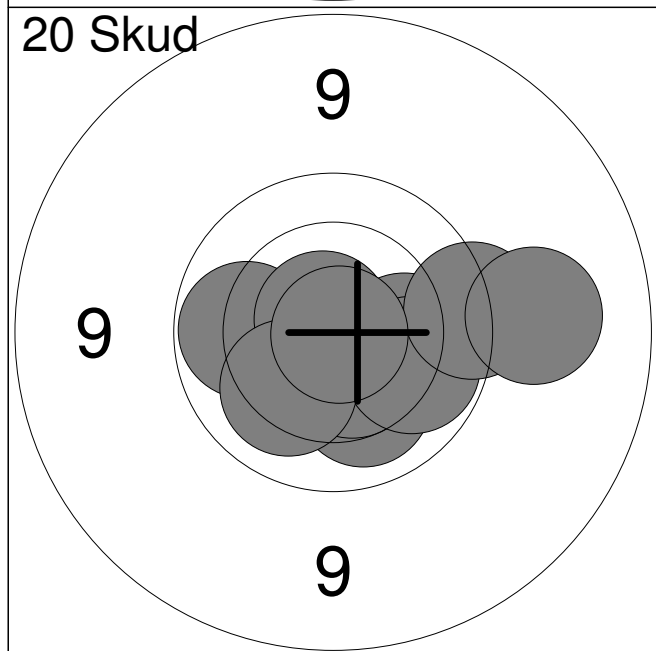


1:	9.8	↗
2:	9.0	↑
3:	10.0	↘
4:	10.0	←
5:	9.5	→
6:	9.8	↗
7:	10.4	↑
8:	9.6	→
9:	10.2	↗
10:	9.6	→
<b>Serie</b>	<b>94</b>	
<b>Total</b>	<b>0</b>	



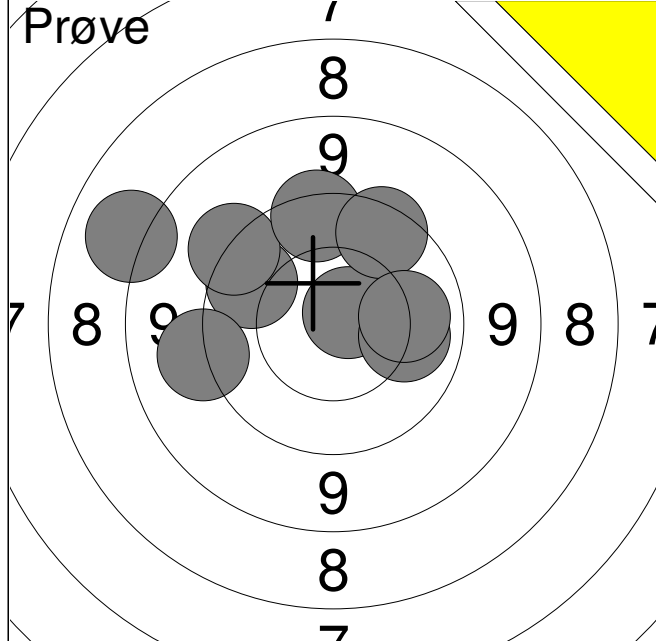
1:	10.6x	↑
2:	9.4	↘
3:	9.4	↗
4:	10.1	↗
5:	9.8	←
6:	10.1	↑
7:	10.4	↗
8:	10.1	↘
9:	10.1	↘
10:	10.8x	↑
<b>Serie</b>	<b>97</b>	
<b>Total</b>	<b>97</b>	



11:	10.2	↘
12:	10.0	←
13:	10.2	→
14:	10.5x	↘
15:	10.0	↘
16:	9.6	→
17:	9.3	→
18:	10.8x	↗
19:	10.2	↘
20:	10.9x	↘
<b>Serie</b>	<b>98</b>	
<b>Total</b>	<b>195</b>	

Hold <b>93</b>	Skive <b>2</b>	<b>Niclas Pedersen</b>																																
Aalborg		Vilsted Skytteforening		FRI																														
15.02.2018		Jyllandsstævnet		Aalborg Skyttekreds																														
<b>Prøve</b>		<table border="0"> <tr><td>1:</td><td>9.8</td><td>↘</td></tr> <tr><td>2:</td><td>10.1</td><td>↘</td></tr> <tr><td>3:</td><td>10.2</td><td>↘</td></tr> <tr><td>4:</td><td>10.3</td><td>↘</td></tr> <tr><td>5:</td><td>9.8</td><td>↙</td></tr> <tr><td>6:</td><td>10.6x</td><td>←</td></tr> <tr><td>7:</td><td>10.2</td><td>↘</td></tr> </table>			1:	9.8	↘	2:	10.1	↘	3:	10.2	↘	4:	10.3	↘	5:	9.8	↙	6:	10.6x	←	7:	10.2	↘									
1:	9.8	↘																																
2:	10.1	↘																																
3:	10.2	↘																																
4:	10.3	↘																																
5:	9.8	↙																																
6:	10.6x	←																																
7:	10.2	↘																																
		Serie		68																														
		Total		0																														
<b>20 Skud</b>		<table border="0"> <tr><td>1:</td><td>9.9</td><td>↗</td></tr> <tr><td>2:</td><td>10.1</td><td>→</td></tr> <tr><td>3:</td><td>9.8</td><td>↗</td></tr> <tr><td>4:</td><td>10.8x</td><td>↑</td></tr> <tr><td>5:</td><td>10.8x</td><td>↙</td></tr> <tr><td>6:</td><td>10.5</td><td>←</td></tr> <tr><td>7:</td><td>10.7x</td><td>↗</td></tr> <tr><td>8:</td><td>10.3</td><td>↗</td></tr> <tr><td>9:</td><td>10.7x</td><td>↗</td></tr> <tr><td>10:</td><td>10.0</td><td>↘</td></tr> </table>			1:	9.9	↗	2:	10.1	→	3:	9.8	↗	4:	10.8x	↑	5:	10.8x	↙	6:	10.5	←	7:	10.7x	↗	8:	10.3	↗	9:	10.7x	↗	10:	10.0	↘
1:	9.9	↗																																
2:	10.1	→																																
3:	9.8	↗																																
4:	10.8x	↑																																
5:	10.8x	↙																																
6:	10.5	←																																
7:	10.7x	↗																																
8:	10.3	↗																																
9:	10.7x	↗																																
10:	10.0	↘																																
		Serie		98																														
		Total		98																														
<b>20 Skud</b>		<table border="0"> <tr><td>11:</td><td>10.4</td><td>↘</td></tr> <tr><td>12:</td><td>10.5</td><td>↘</td></tr> <tr><td>13:</td><td>9.9</td><td>↗</td></tr> <tr><td>14:</td><td>10.3</td><td>↗</td></tr> <tr><td>15:</td><td>10.8x</td><td>↘</td></tr> <tr><td>16:</td><td>10.5</td><td>↑</td></tr> <tr><td>17:</td><td>10.2</td><td>↗</td></tr> <tr><td>18:</td><td>10.5</td><td>↗</td></tr> <tr><td>19:</td><td>10.4</td><td>←</td></tr> <tr><td>20:</td><td>10.0</td><td>→</td></tr> </table>			11:	10.4	↘	12:	10.5	↘	13:	9.9	↗	14:	10.3	↗	15:	10.8x	↘	16:	10.5	↑	17:	10.2	↗	18:	10.5	↗	19:	10.4	←	20:	10.0	→
11:	10.4	↘																																
12:	10.5	↘																																
13:	9.9	↗																																
14:	10.3	↗																																
15:	10.8x	↘																																
16:	10.5	↑																																
17:	10.2	↗																																
18:	10.5	↗																																
19:	10.4	←																																
20:	10.0	→																																
		Serie		99																														
		Total		197																														

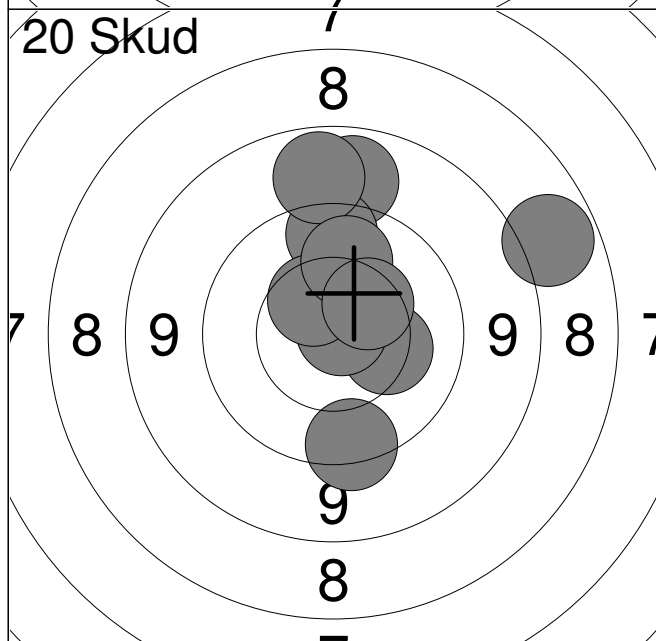
Hold <b>93</b>	Skive <b>3</b>	<b>Evan Pedersen</b>																																
Aalborg		Vilsted Skytteforening		VÅ1																														
15.02.2018		Jyllandsstævnet		Aalborg Skyttekreds																														
<b>Prøve</b>		<table border="0"> <tr><td>1:</td><td>9.8</td><td>↘</td></tr> <tr><td>2:</td><td>10.4</td><td>→</td></tr> <tr><td>3:</td><td>10.8x</td><td>↓</td></tr> <tr><td>4:</td><td>9.6</td><td>←</td></tr> <tr><td>5:</td><td>10.3</td><td>←</td></tr> <tr><td>6:</td><td>10.5</td><td>↙</td></tr> </table>			1:	9.8	↘	2:	10.4	→	3:	10.8x	↓	4:	9.6	←	5:	10.3	←	6:	10.5	↙												
1:	9.8	↘																																
2:	10.4	→																																
3:	10.8x	↓																																
4:	9.6	←																																
5:	10.3	←																																
6:	10.5	↙																																
		<b>Serie</b> <b>58</b>																																
		<b>Total</b> <b>0</b>																																
<b>20 Skud</b>		<table border="0"> <tr><td>1:</td><td>10.5x</td><td>↓</td></tr> <tr><td>2:</td><td>9.7</td><td>↓</td></tr> <tr><td>3:</td><td>9.9</td><td>↙</td></tr> <tr><td>4:</td><td>9.8</td><td>←</td></tr> <tr><td>5:</td><td>10.5x</td><td>↓</td></tr> <tr><td>6:</td><td>10.3</td><td>↘</td></tr> <tr><td>7:</td><td>10.2</td><td>↗</td></tr> <tr><td>8:</td><td>10.1</td><td>↗</td></tr> <tr><td>9:</td><td>10.5x</td><td>↗</td></tr> <tr><td>10:</td><td>10.8x</td><td>←</td></tr> </table>			1:	10.5x	↓	2:	9.7	↓	3:	9.9	↙	4:	9.8	←	5:	10.5x	↓	6:	10.3	↘	7:	10.2	↗	8:	10.1	↗	9:	10.5x	↗	10:	10.8x	←
1:	10.5x	↓																																
2:	9.7	↓																																
3:	9.9	↙																																
4:	9.8	←																																
5:	10.5x	↓																																
6:	10.3	↘																																
7:	10.2	↗																																
8:	10.1	↗																																
9:	10.5x	↗																																
10:	10.8x	←																																
		<b>Serie</b> <b>97</b>																																
		<b>Total</b> <b>97</b>																																
<b>20 Skud</b>		<table border="0"> <tr><td>11:</td><td>10.3</td><td>↗</td></tr> <tr><td>12:</td><td>10.8x</td><td>←</td></tr> <tr><td>13:</td><td>10.6x</td><td>↘</td></tr> <tr><td>14:</td><td>9.9</td><td>↓</td></tr> <tr><td>15:</td><td>10.4</td><td>↘</td></tr> <tr><td>16:</td><td>10.5x</td><td>↗</td></tr> <tr><td>17:</td><td>10.4</td><td>↓</td></tr> <tr><td>18:</td><td>9.8</td><td>←</td></tr> <tr><td>19:</td><td>10.5</td><td>↗</td></tr> <tr><td>20:</td><td>10.0</td><td>→</td></tr> </table>			11:	10.3	↗	12:	10.8x	←	13:	10.6x	↘	14:	9.9	↓	15:	10.4	↘	16:	10.5x	↗	17:	10.4	↓	18:	9.8	←	19:	10.5	↗	20:	10.0	→
11:	10.3	↗																																
12:	10.8x	←																																
13:	10.6x	↘																																
14:	9.9	↓																																
15:	10.4	↘																																
16:	10.5x	↗																																
17:	10.4	↓																																
18:	9.8	←																																
19:	10.5	↗																																
20:	10.0	→																																
		<b>Serie</b> <b>98</b>																																
		<b>Total</b> <b>195</b>																																



1:	9.9	↖
2:	8.2	↖
3:	10.7x	↗
4:	9.4	↗
5:	9.3	↙
6:	9.6	↑
7:	9.7	↗
8:	10.1	→
9:	10.1	→

Serie **83**

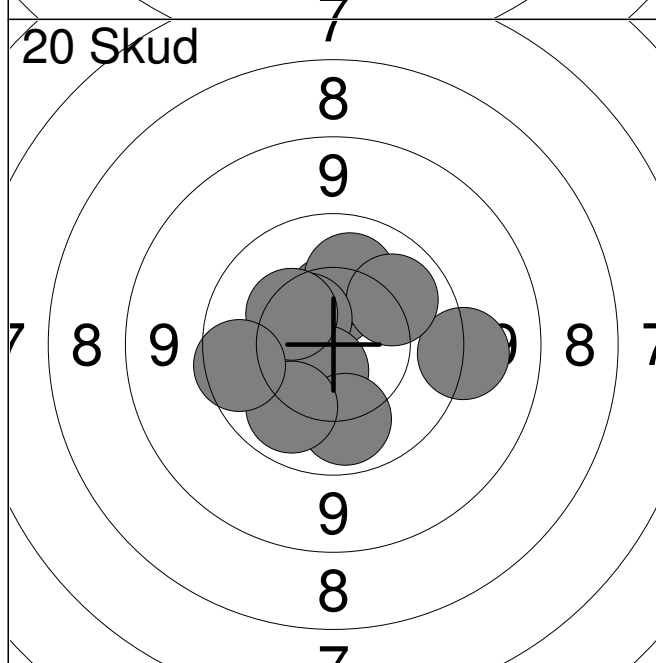
Total **0**



1:	10.3	→
2:	8.0	↗
3:	10.8x	↗
4:	9.0	↑
5:	9.8	↑
6:	9.0	↑
7:	10.5	↖
8:	10.1	↑
9:	10.4	↗
10:	9.6	↓

Serie **94**

Total **94**

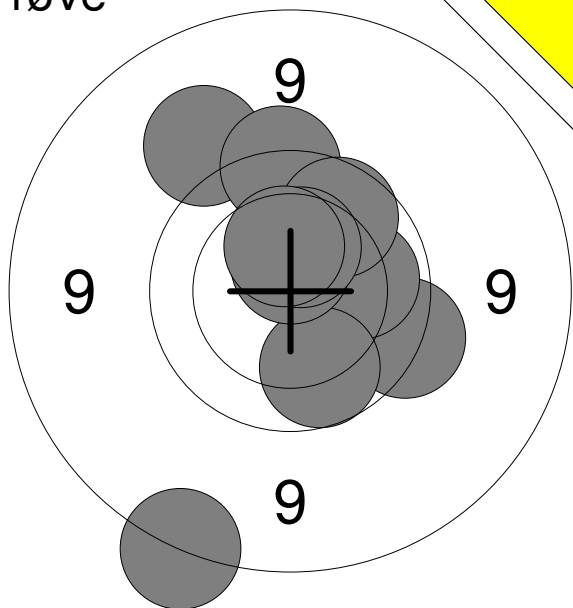


11:	10.4	↑
12:	9.4	→
13:	10.1	↑
14:	10.1	↗
15:	10.5	↖
16:	10.6x	↓
17:	10.1	↓
18:	10.1	↓
19:	10.3	↖
20:	9.8	←

Serie **98**

Total **192**

**Prøve**

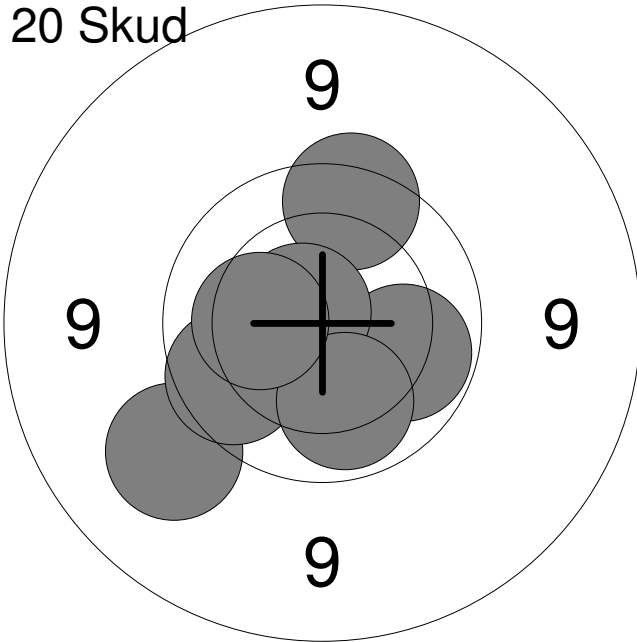


1:	8.7	↘
2:	9.3	↗
3:	9.6	↑
4:	9.6	→
5:	10.1	→
6:	9.9	↗
7:	9.9	↘
8:	10.6x	↑
9:	10.4	↑
10:	10.4	↑

Serie **93**

Total **0**

**20 Skud**

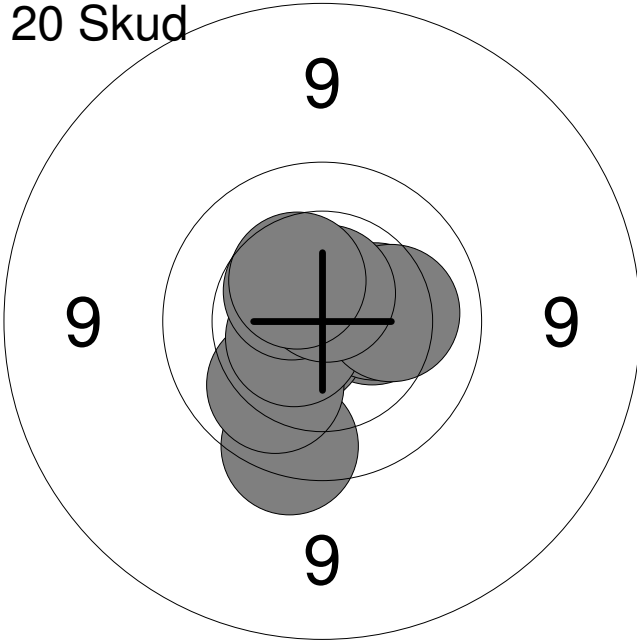


1:	10.7x	↓
2:	9.3	↙
3:	10.7x	↘
4:	10.0	→
5:	9.7	↑
6:	10.7x	←
7:	9.9	↙
8:	10.7x	↖
9:	10.1	↘
10:	10.3	←

Serie **97**

Total **97**

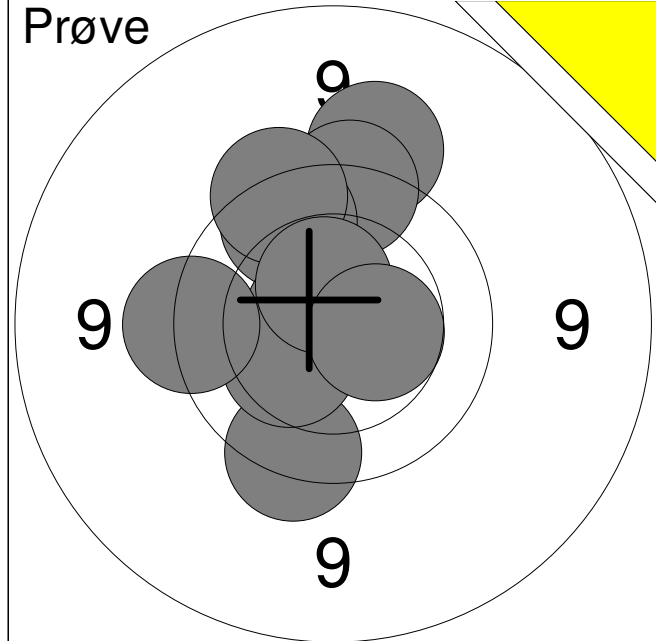
**20 Skud**



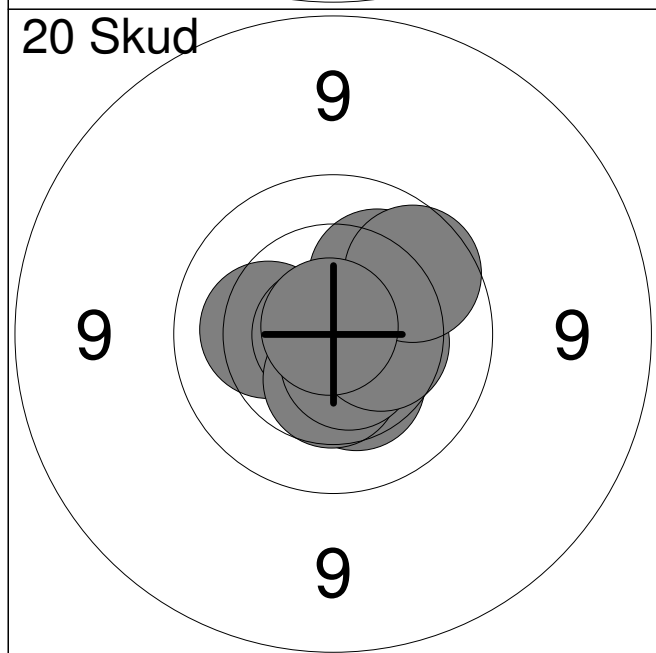
11:	10.4	→
12:	10.6x	↙
13:	9.7	↘
14:	10.1	↘
15:	10.4	→
16:	10.6x	↙
17:	10.5	↗
18:	10.2	→
19:	10.6x	↑
20:	10.4	↖

Serie **99**

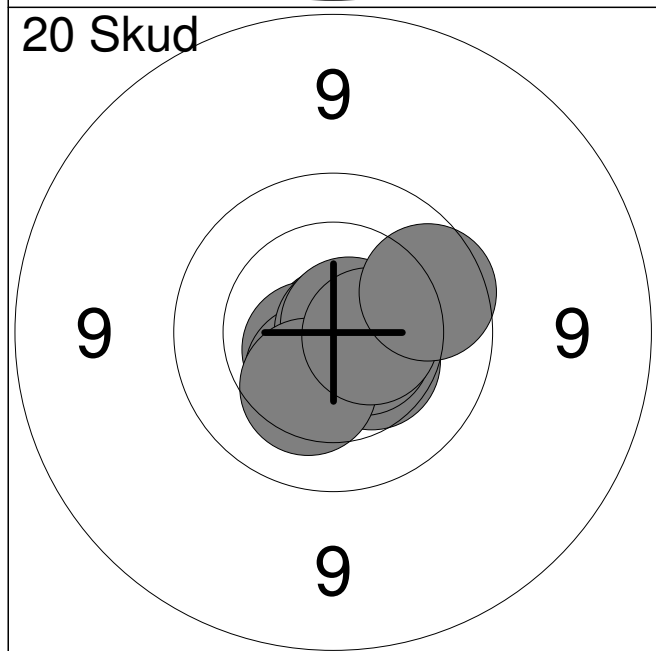
Total **196**



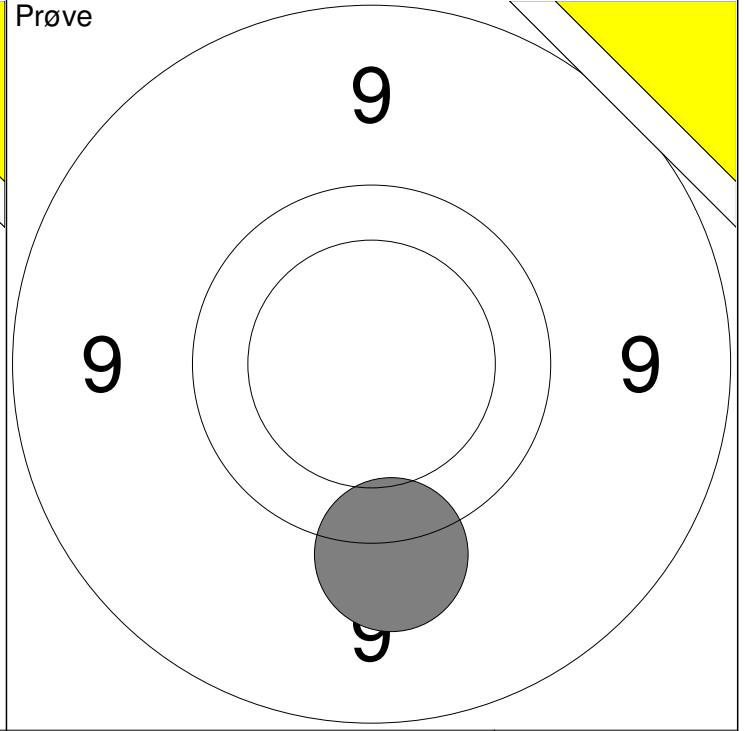
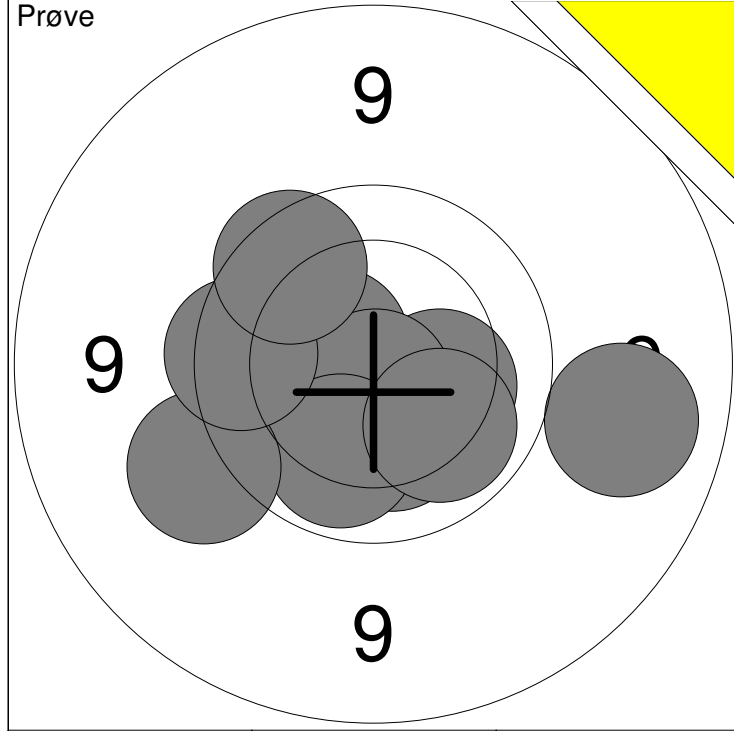
1:	9.7	↓
2:	9.4	↑
3:	9.7	↑
4:	9.8	↑
5:	9.6	↑
6:	10.7x	←
7:	10.3	↙
8:	9.6	←
9:	10.5x	↑
10:	10.5	→
<b>Serie</b>		<b>94</b>
<b>Total</b>		<b>0</b>



1:	10.7x	→
2:	10.2	←
3:	10.2	↗
4:	10.8x	←
5:	10.4	↓
6:	10.5	↓
7:	10.6x	↓
8:	10.4	→
9:	9.9	↗
10:	10.9x	↑
<b>Serie</b>		<b>99</b>
<b>Total</b>		<b>99</b>

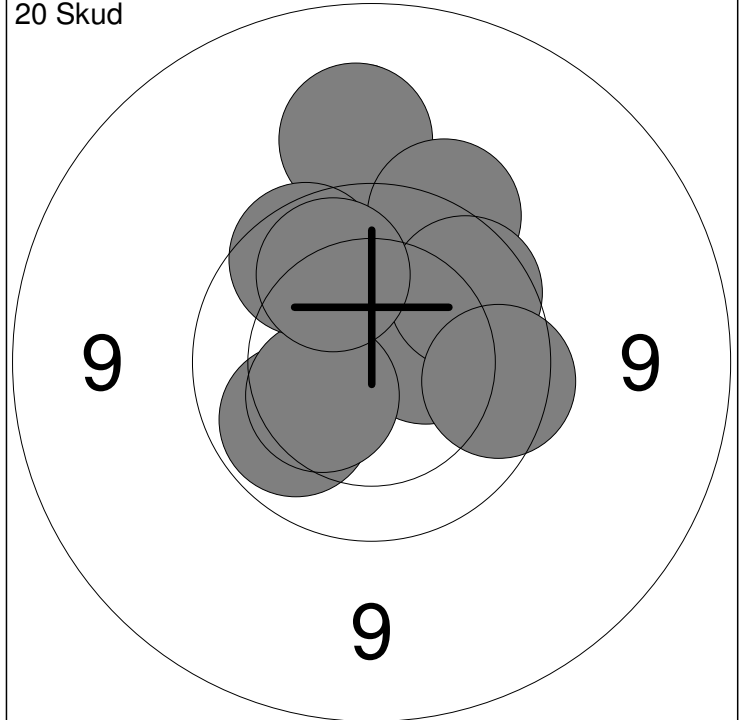
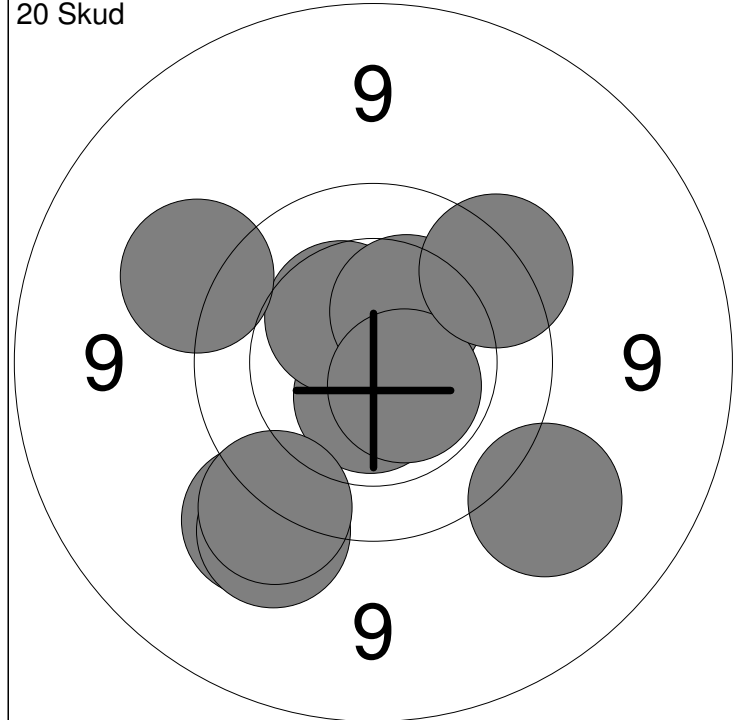


11:	10.9x	↘
12:	10.4	↘
13:	10.6x	↙
14:	10.5	↓
15:	10.8x	→
16:	10.6x	↘
17:	10.8x	↗
18:	10.3	↓
19:	10.5x	→
20:	9.9	↗
<b>Serie</b>		<b>99</b>
<b>Total</b>		<b>198</b>



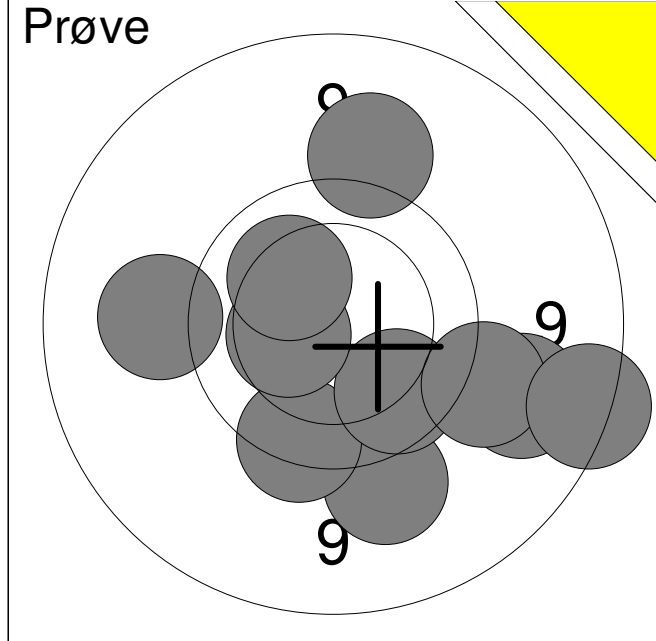
1: 10.3 →	6: 9.4 ←	Serie	96
2: 10.5x ↖	7: 9.8 ←		
3: 10.2 ↓	8: 9.1 →	Total	0
4: 10.7x ↓	9: 9.8 ↗		
5: 10.0 ↘	10: 10.1 ↘		

11: 9.5 ↓	Serie	9
	Total	0

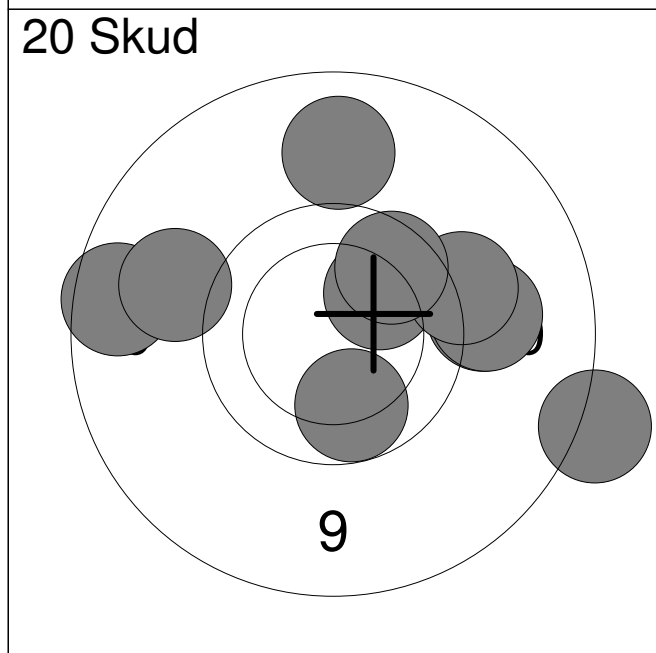


1: 9.3 ↓	6: 10.4 ↗	Serie	94
2: 10.6x ↓	7: 10.4 ↗		
3: 9.4 ↓	8: 10.6x ↘	Total	94
4: 9.4 ↓	9: 9.7 ↗		
5: 9.5 ↓	10: 9.4 ←		

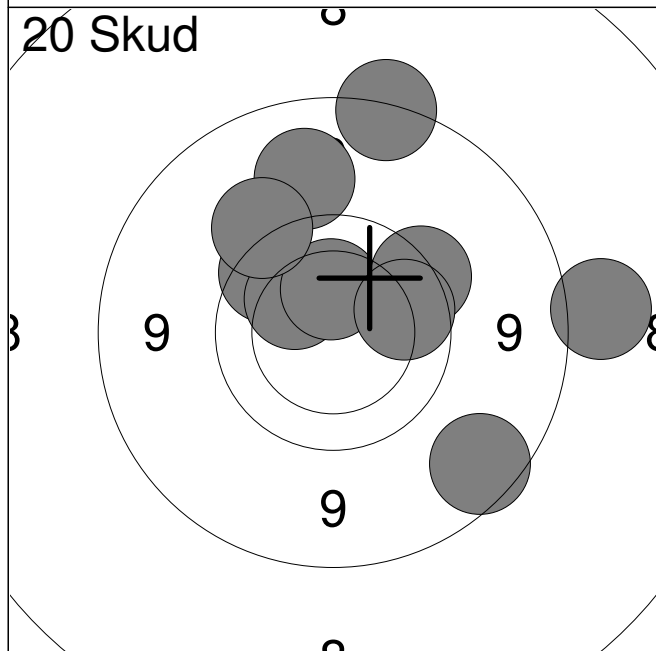
11: 10.1 ↑	16: 9.6 ↗	Serie	95
12: 10.4 →	17: 9.9 ↗		
13: 9.3 ↑	18: 9.8 →	Total	189
14: 10.0 ↓	19: 9.8 ↗		
15: 10.4 ↓	20: 10.0 ↗		



1:	9.4	↓
2:	9.7	↓
3:	9.3	←
4:	9.1	→
5:	9.9	↓
6:	9.4	→
7:	9.3	↑
8:	10.4	←
9:	8.8	→
10:	10.2	↗
<b>Serie</b>		<b>91</b>
<b>Total</b>		<b>0</b>

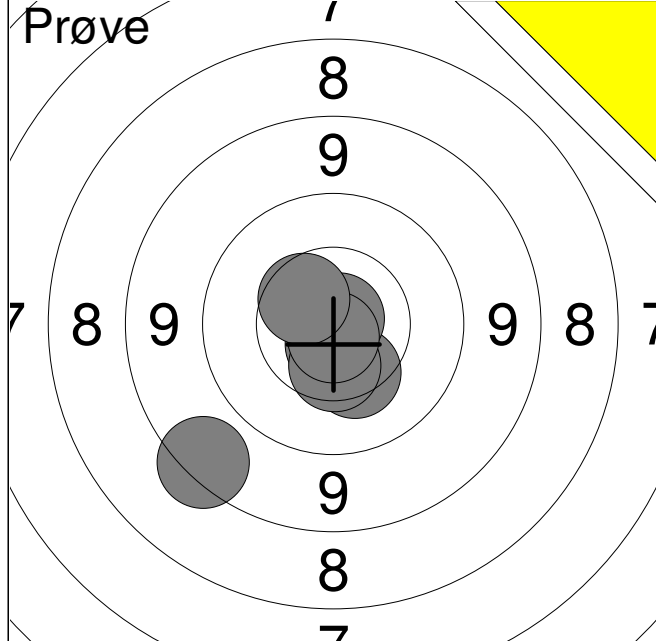


1:	9.4	→
2:	8.6	→
3:	9.1	↑
4:	8.9	←
5:	10.0	↓
6:	10.1	↗
7:	9.3	→
8:	9.3	←
9:	9.5	→
10:	9.8	↗
<b>Serie</b>		<b>90</b>
<b>Total</b>		<b>90</b>

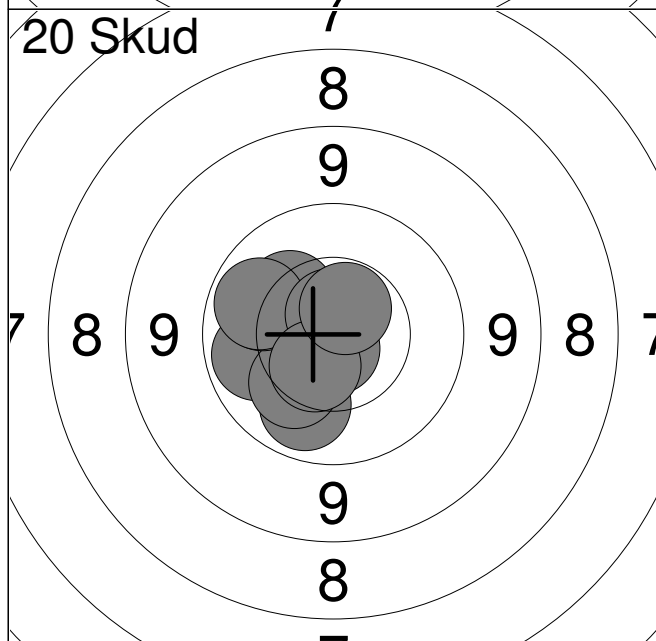


11:	8.5	→
12:	8.9	↓
13:	8.7	↑
14:	9.8	↗
15:	10.2	↗
16:	10.3	↑
17:	9.2	↑
18:	9.4	↗
19:	9.6	↗
20:	9.9	→
<b>Serie</b>		<b>89</b>
<b>Total</b>		<b>179</b>

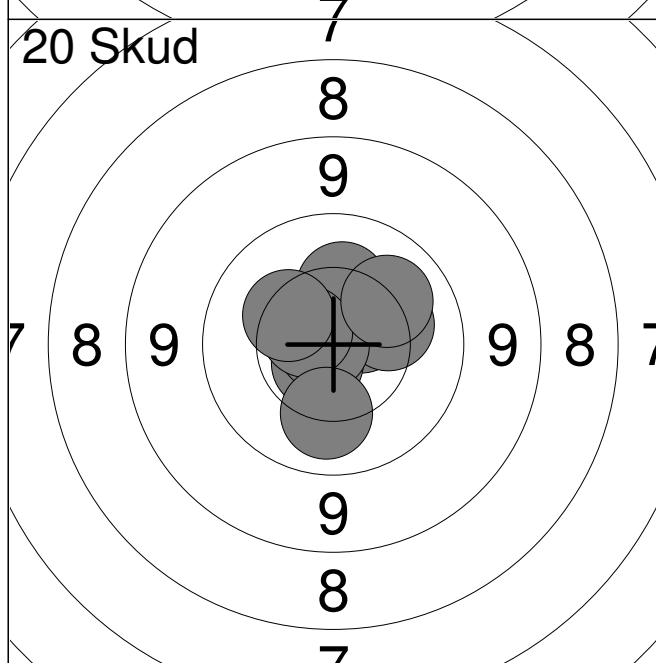




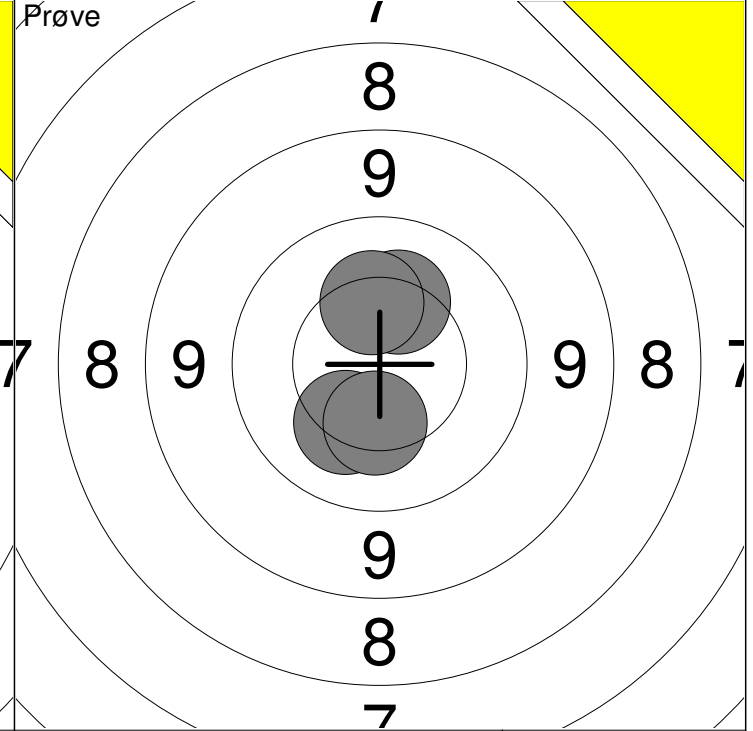
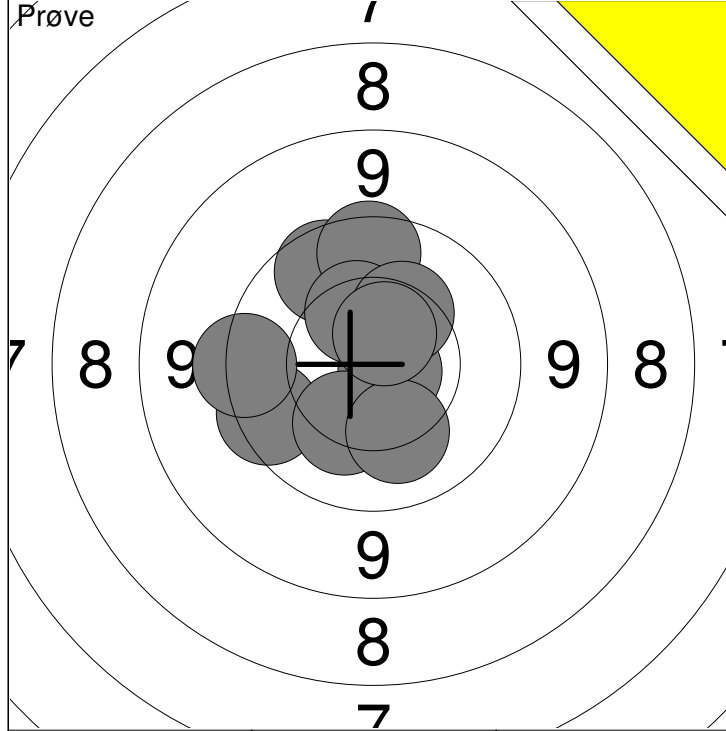
1:	8.6	↙
2:	10.7x	↓
3:	10.3	↘
4:	10.5	↓
5:	10.9x	↗
6:	10.8x	↓
7:	10.5	↖
<b>Serie</b>	<b>68</b>	
<b>Total</b>	<b>0</b>	



1:	10.8x	↓
2:	10.1	↘
3:	10.0	←
4:	10.2	↘
5:	10.1	↖
6:	10.3	↗
7:	10.0	↖
8:	10.7x	↑
9:	10.5	↘
10:	10.6x	↗
<b>Serie</b>	<b>100</b>	
<b>Total</b>	<b>100</b>	

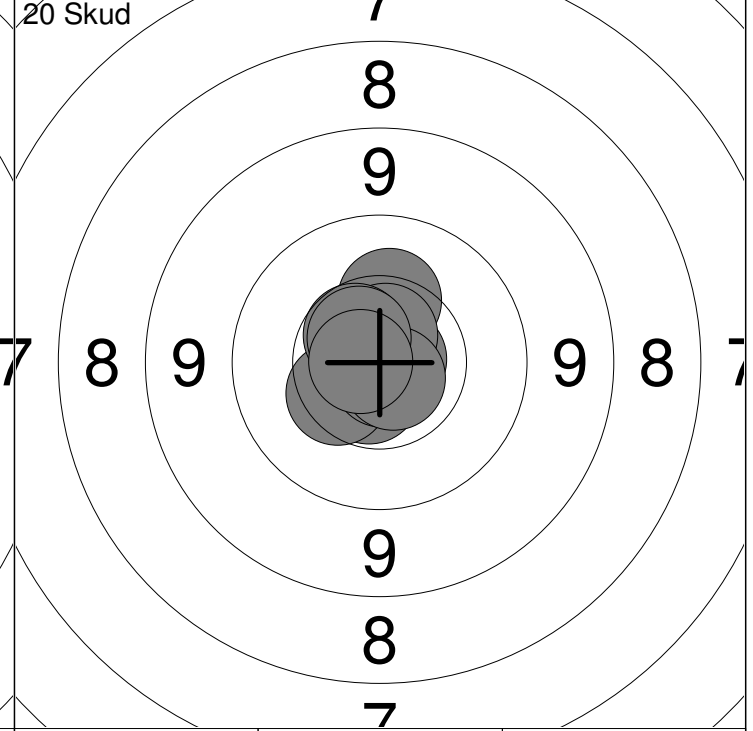
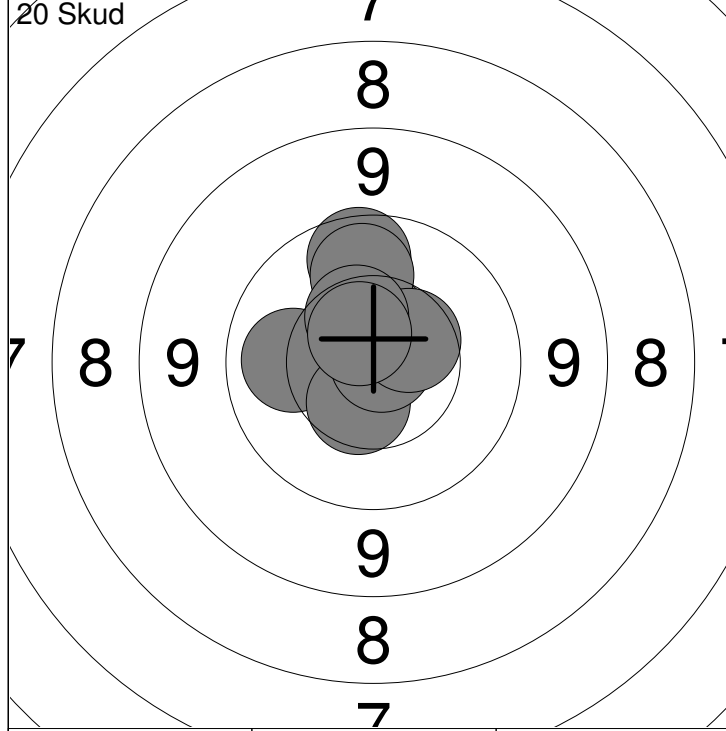


11:	10.6	↗
12:	10.3	→
13:	10.4	↑
14:	10.7x	↘
15:	10.8x	←
16:	10.3	↑
17:	10.6x	↖
18:	10.1	↗
19:	10.1	↓
20:	10.3	↖
<b>Serie</b>	<b>100</b>	
<b>Total</b>	<b>200</b>	



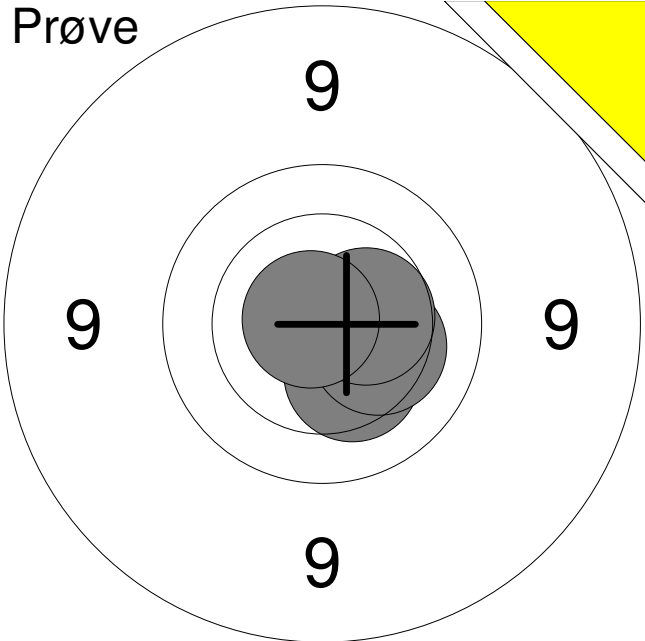
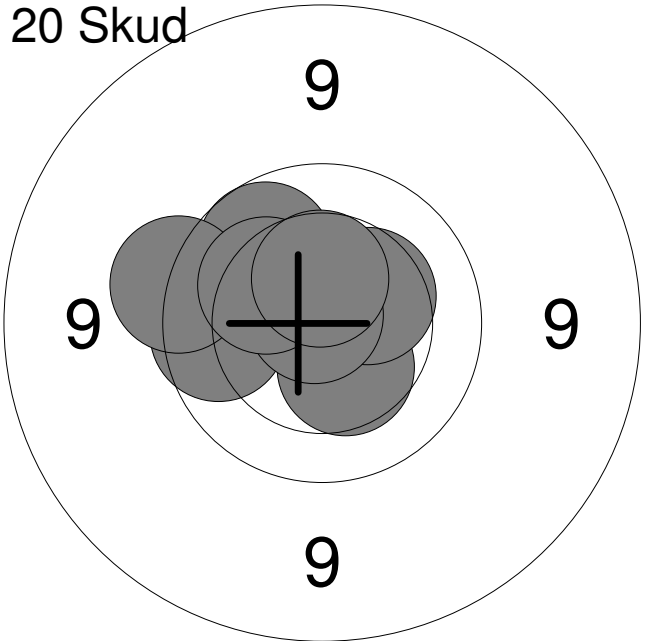
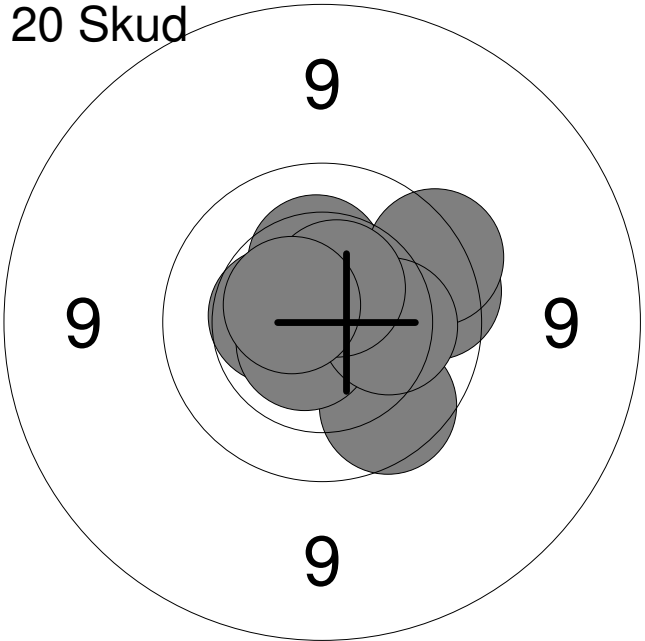
1: 9.7 ←	6: 10.8x →	Serie 96
2: 9.6 ←	7: 10.3 ↓	
3: 9.9 ↗	8: 10.2 ↓	Total 0
4: 9.8 ↑	9: 10.3 ↗	
5: 10.4 ↗	10: 10.6x ↗	

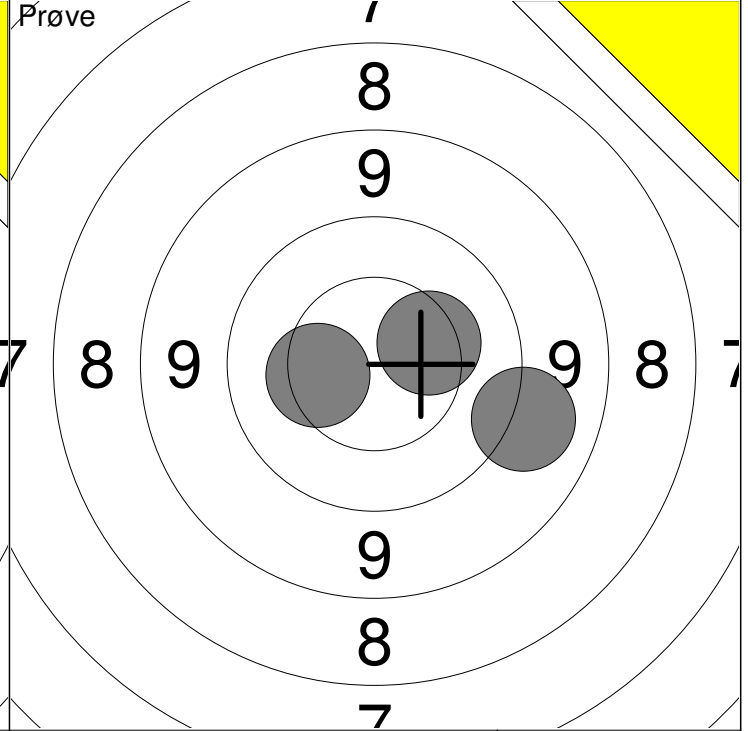
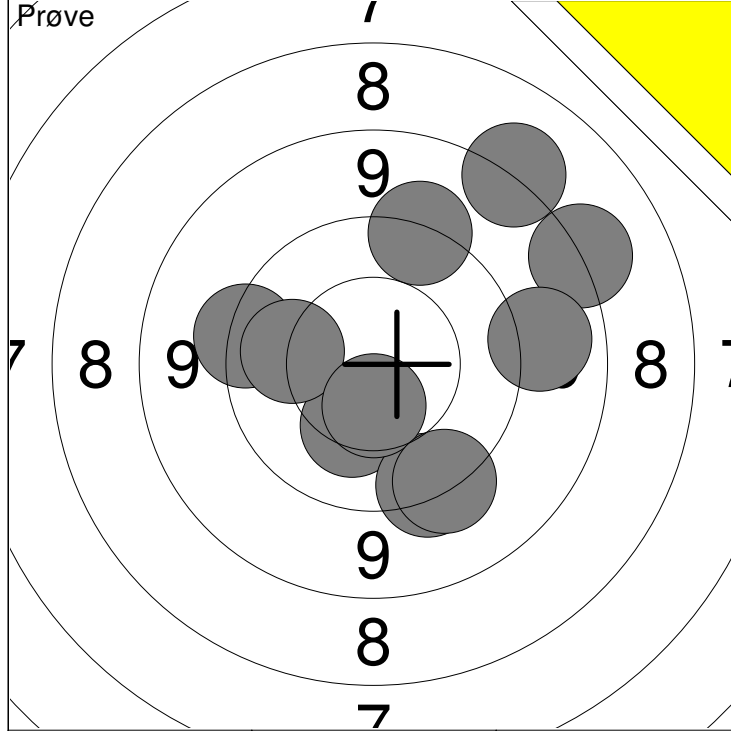
11: 10.3 ↑	Serie 40
12: 10.2 ↓	
13: 10.3 ↓	Total 0
14: 10.3 ↑	



1: 9.9 ↑	6: 10.0 ↑	Serie 99
2: 10.6 ↑	7: 10.9x →	
3: 10.1 ←	8: 10.5 ↗	Total 99
4: 10.5 ↓	9: 10.4 ↑	
5: 10.5 ↑	10: 10.6x ↗	

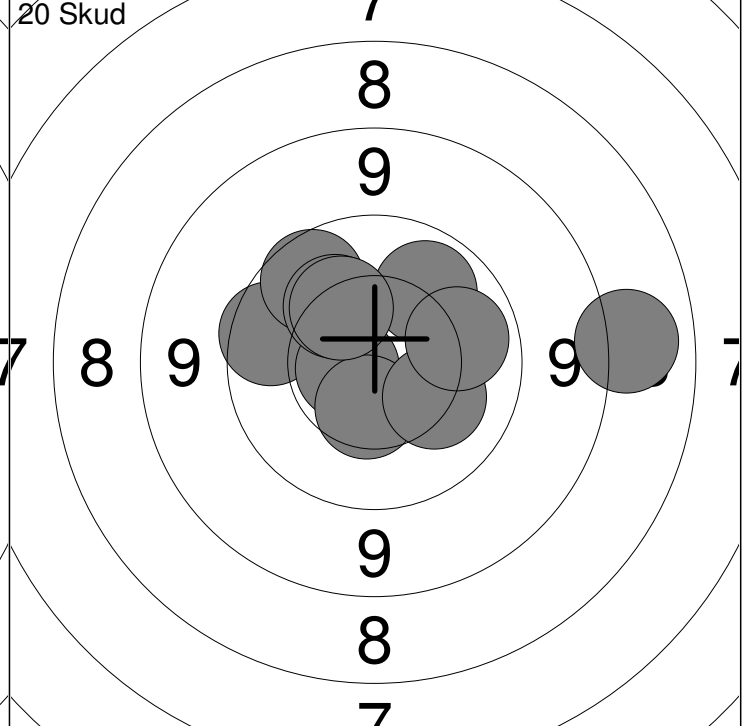
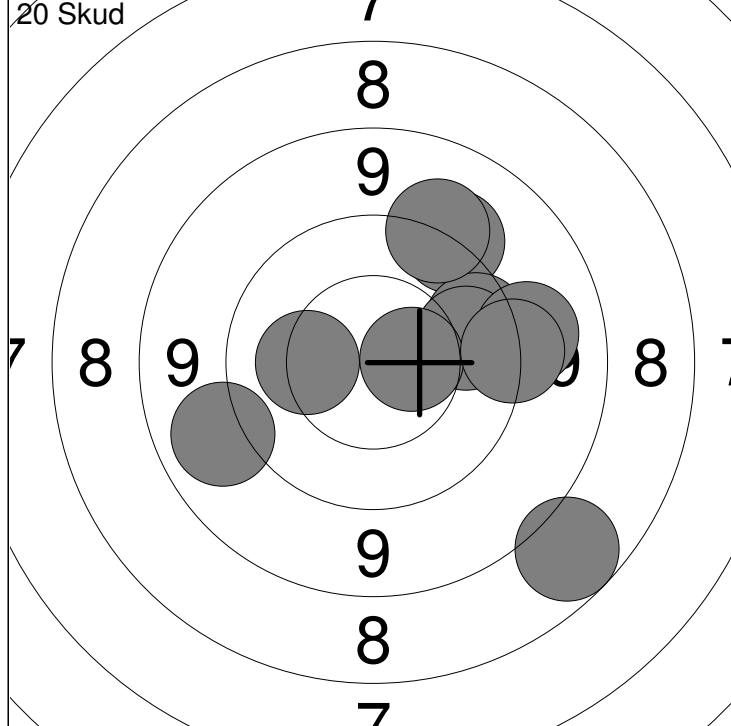
11: 10.6x ↓	16: 10.8x ↓	Serie 100
12: 10.4 ←	17: 10.6 ↗	
13: 10.8x →	18: 10.7x ↓	Total 199
14: 10.3 ↑	19: 10.6x ↗	
15: 10.7x ↑	20: 10.7x ←	

Hold	Skive	Rasmus Møller Larsen		
94	7	Aalborg	Vilsted Skytteforening	VÅ1
15.02.2018	Jyllandsstævnet	Aalborg Skyttekreds		
<b>Prøve</b>		1:	10.3	↘
		2:	10.3	↘
		3:	10.5	→
		4:	10.8x	↖
		<b>Serie</b>		<b>40</b>
		<b>Total</b>		<b>0</b>
<b>20 Skud</b>		1:	9.9	↗
		2:	10.6x	↗
		3:	9.9	←
		4:	10.4	↘
		5:	10.7x	↗
		6:	10.4	↗
		7:	10.8x	↗
		8:	9.6	←
		9:	10.2	↗
		10:	10.5	↑
		<b>Serie</b>		<b>97</b>
		<b>Total</b>		<b>97</b>
<b>20 Skud</b>		11:	10.3	↑
		12:	10.4	←
		13:	9.9	↘
		14:	9.8	→
		15:	9.7	↗
		16:	10.6x	↖
		17:	10.7x	↘
		18:	10.2	→
		19:	10.5x	↗
		20:	10.6x	↖
		<b>Serie</b>		<b>97</b>
		<b>Total</b>		<b>194</b>



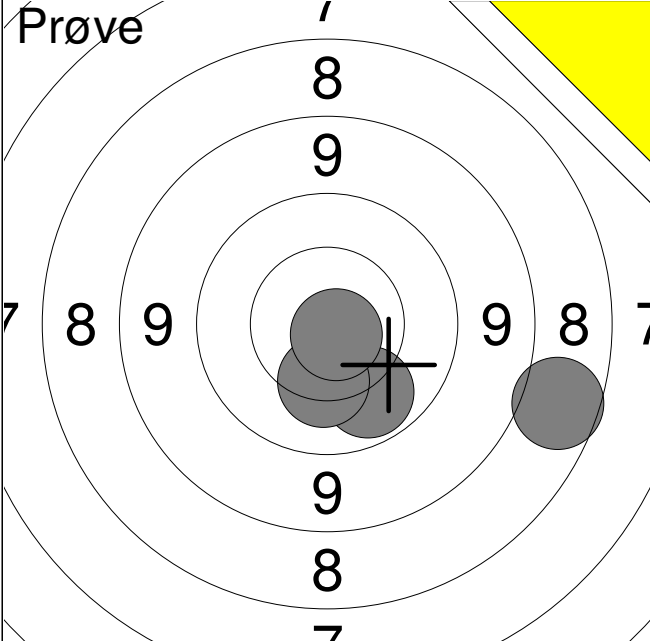
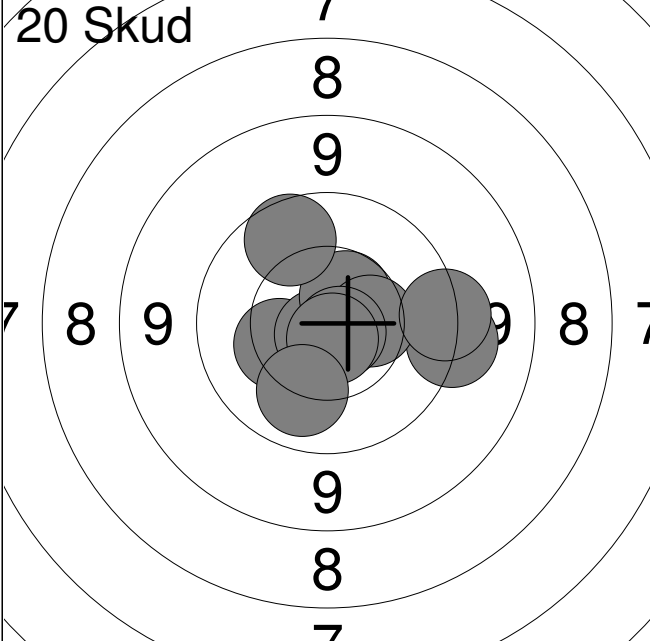
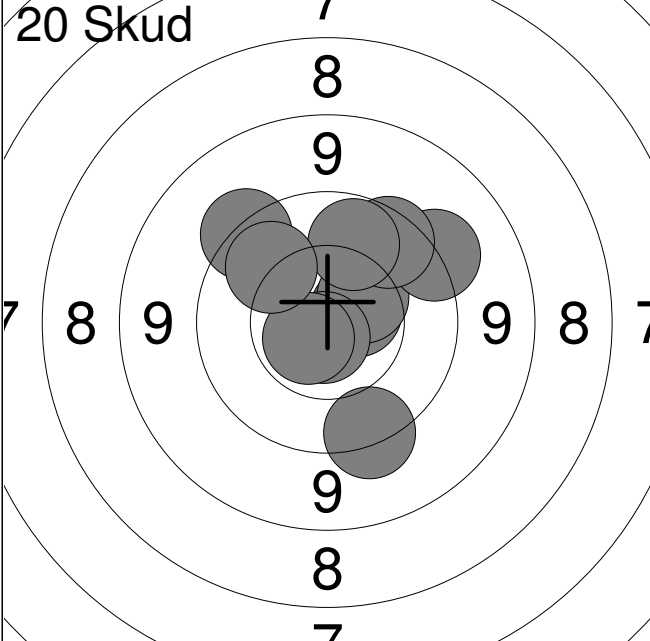
1: 8.3 ↗	6: 9.5 ↓	Serie 91
2: 8.4 →	7: 10.5 ↓	
3: 10.3 ↓	8: 9.5 ↓	Total 0
4: 9.5 ←	9: 9.4 ↗	
5: 10.1 ←	10: 9.1 →	

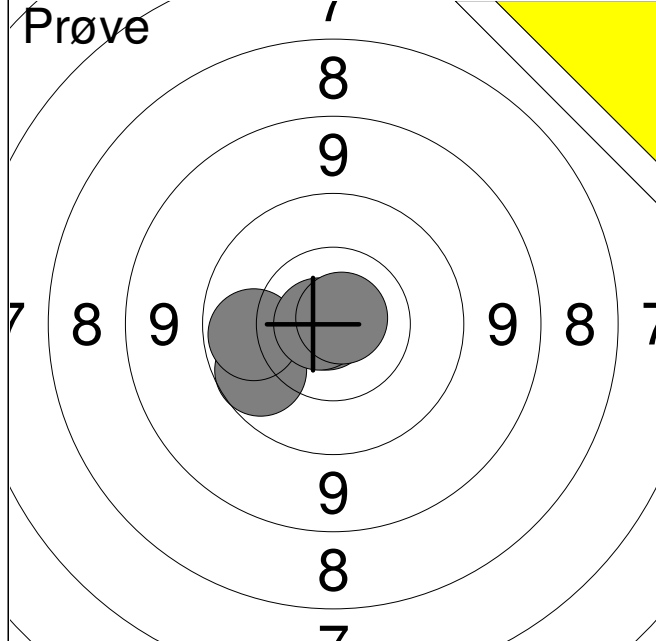
11: 10.3 ←	Serie 29
12: 9.2 →	
13: 10.3 →	Total 0



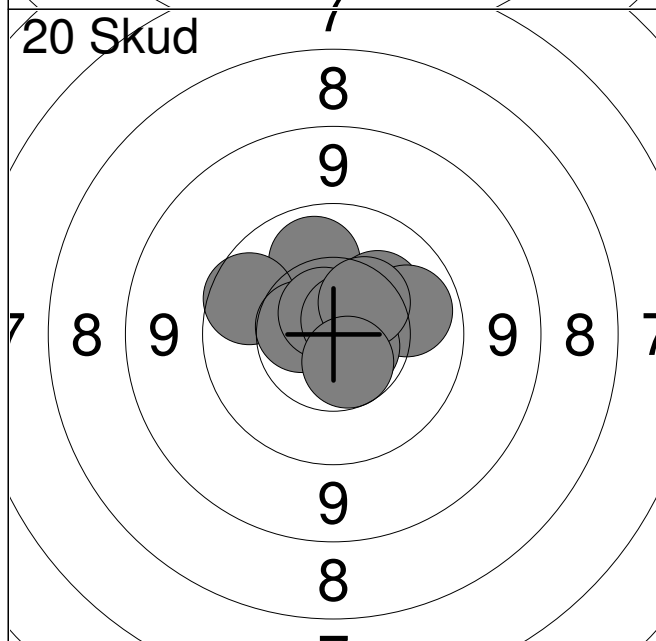
1: 9.4 ↗	6: 9.1 ←	Serie 91
2: 9.8 →	7: 9.2 →	
3: 10.3 ←	8: 10.5 →	Total 91
4: 9.9 →	9: 8.0 ↓	
5: 9.4 ↗	10: 9.4 →	

11: 9.8 ←	16: 9.9 ↗	Serie 96
12: 10.1 ↗	17: 10.2 ↓	
13: 10.7x ←	18: 10.0 →	Total 187
14: 8.1 →	19: 10.2 ↗	
15: 10.5 ↓	20: 10.3 ↗	

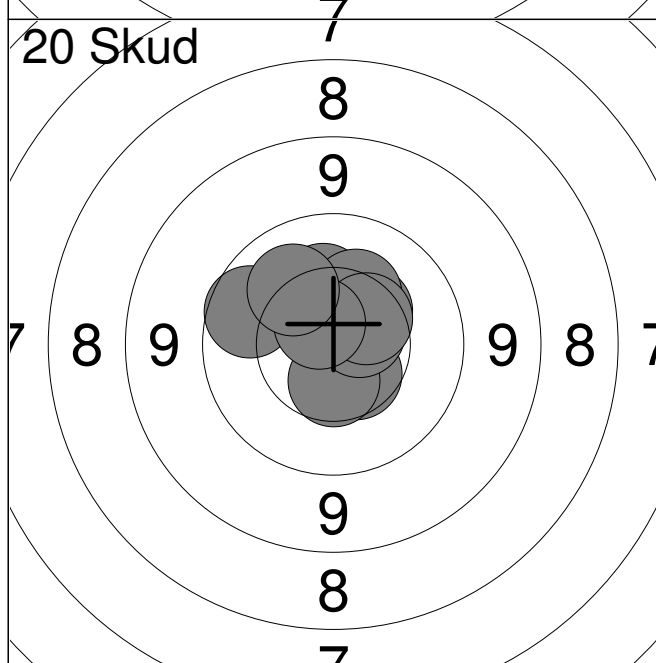
Hold <b>95</b>	Skive <b>2</b>	<b>Pernille Holst Andersen</b>																																
Aalborg		Skytteforening Kimbreerne		MUS2																														
15.02.2018		Jyllandsstævnet		Aalborg Skyttekreds																														
<b>Prøve</b>		<table border="0"> <tr><td>1:</td><td>7.9</td><td>→</td></tr> <tr><td>2:</td><td>10.0</td><td>↘</td></tr> <tr><td>3:</td><td>10.3</td><td>↓</td></tr> <tr><td>4:</td><td>10.8x</td><td>↘</td></tr> </table>			1:	7.9	→	2:	10.0	↘	3:	10.3	↓	4:	10.8x	↘																		
1:	7.9	→																																
2:	10.0	↘																																
3:	10.3	↓																																
4:	10.8x	↘																																
		<table border="0"> <tr><td>Serie</td><td>37</td></tr> <tr><td>Total</td><td>0</td></tr> </table>			Serie	37	Total	0																										
Serie	37																																	
Total	0																																	
<b>20 Skud</b>		<table border="0"> <tr><td>1:</td><td>10.3</td><td>←</td></tr> <tr><td>2:</td><td>10.8x</td><td>↘</td></tr> <tr><td>3:</td><td>10.6</td><td>↗</td></tr> <tr><td>4:</td><td>9.9</td><td>↗</td></tr> <tr><td>5:</td><td>9.4</td><td>→</td></tr> <tr><td>6:</td><td>10.4</td><td>→</td></tr> <tr><td>7:</td><td>10.8x</td><td>↘</td></tr> <tr><td>8:</td><td>10.7x</td><td>↓</td></tr> <tr><td>9:</td><td>10.1</td><td>↓</td></tr> <tr><td>10:</td><td>9.5</td><td>→</td></tr> </table>			1:	10.3	←	2:	10.8x	↘	3:	10.6	↗	4:	9.9	↗	5:	9.4	→	6:	10.4	→	7:	10.8x	↘	8:	10.7x	↓	9:	10.1	↓	10:	9.5	→
1:	10.3	←																																
2:	10.8x	↘																																
3:	10.6	↗																																
4:	9.9	↗																																
5:	9.4	→																																
6:	10.4	→																																
7:	10.8x	↘																																
8:	10.7x	↓																																
9:	10.1	↓																																
10:	9.5	→																																
		<table border="0"> <tr><td>Serie</td><td>97</td></tr> <tr><td>Total</td><td>97</td></tr> </table>			Serie	97	Total	97																										
Serie	97																																	
Total	97																																	
<b>20 Skud</b>		<table border="0"> <tr><td>11:</td><td>10.6</td><td>→</td></tr> <tr><td>12:</td><td>10.4</td><td>↗</td></tr> <tr><td>13:</td><td>9.4</td><td>↗</td></tr> <tr><td>14:</td><td>9.7</td><td>↗</td></tr> <tr><td>15:</td><td>10.8x</td><td>↓</td></tr> <tr><td>16:</td><td>10.7x</td><td>←</td></tr> <tr><td>17:</td><td>9.5</td><td>↗</td></tr> <tr><td>18:</td><td>10.0</td><td>↗</td></tr> <tr><td>19:</td><td>10.0</td><td>↗</td></tr> <tr><td>20:</td><td>9.5</td><td>↓</td></tr> </table>			11:	10.6	→	12:	10.4	↗	13:	9.4	↗	14:	9.7	↗	15:	10.8x	↓	16:	10.7x	←	17:	9.5	↗	18:	10.0	↗	19:	10.0	↗	20:	9.5	↓
11:	10.6	→																																
12:	10.4	↗																																
13:	9.4	↗																																
14:	9.7	↗																																
15:	10.8x	↓																																
16:	10.7x	←																																
17:	9.5	↗																																
18:	10.0	↗																																
19:	10.0	↗																																
20:	9.5	↓																																
		<table border="0"> <tr><td>Serie</td><td>96</td></tr> <tr><td>Total</td><td>193</td></tr> </table>			Serie	96	Total	193																										
Serie	96																																	
Total	193																																	



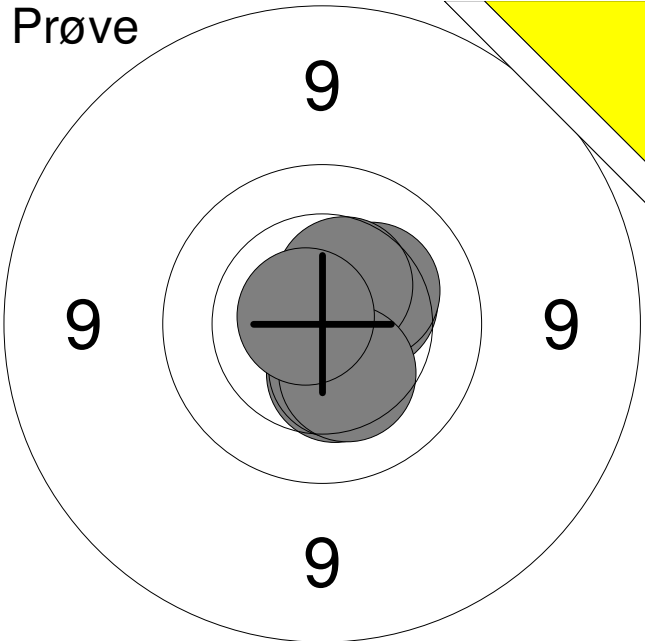
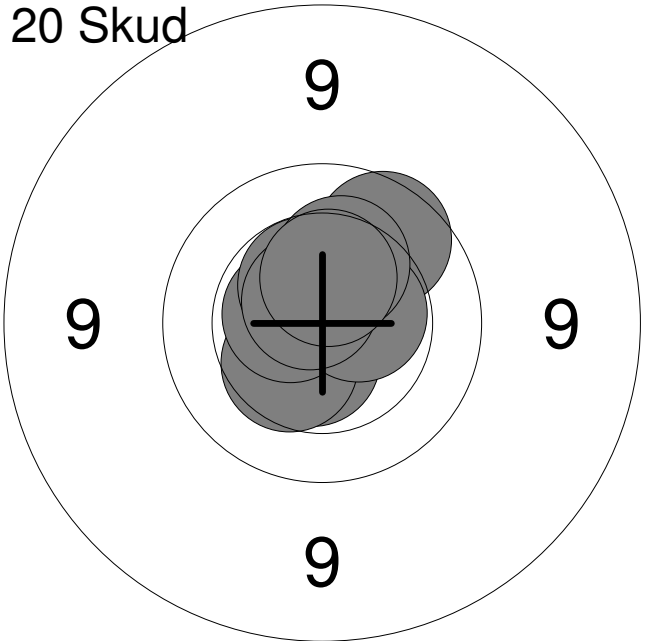
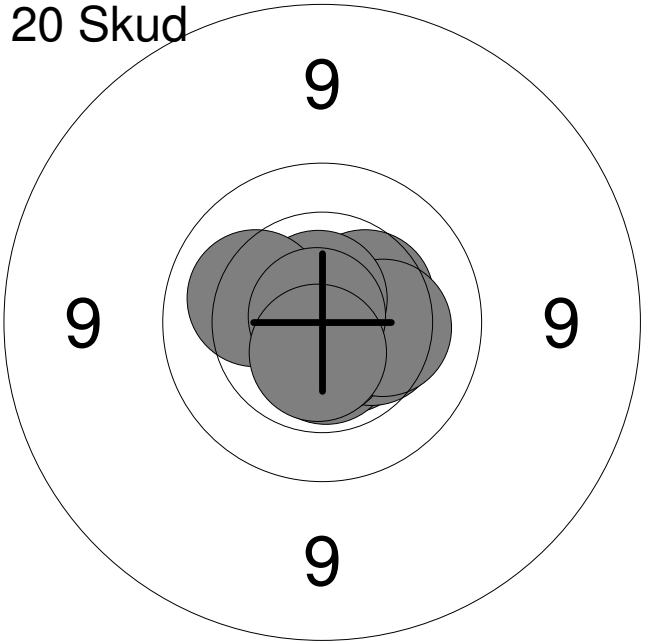
1:	9.9	↙
2:	10.0	←
3:	10.9x	←
4:	10.8x	←
5:	10.8x	↗
<b>Serie</b>		<b>49</b>
<b>Total</b>		<b>0</b>

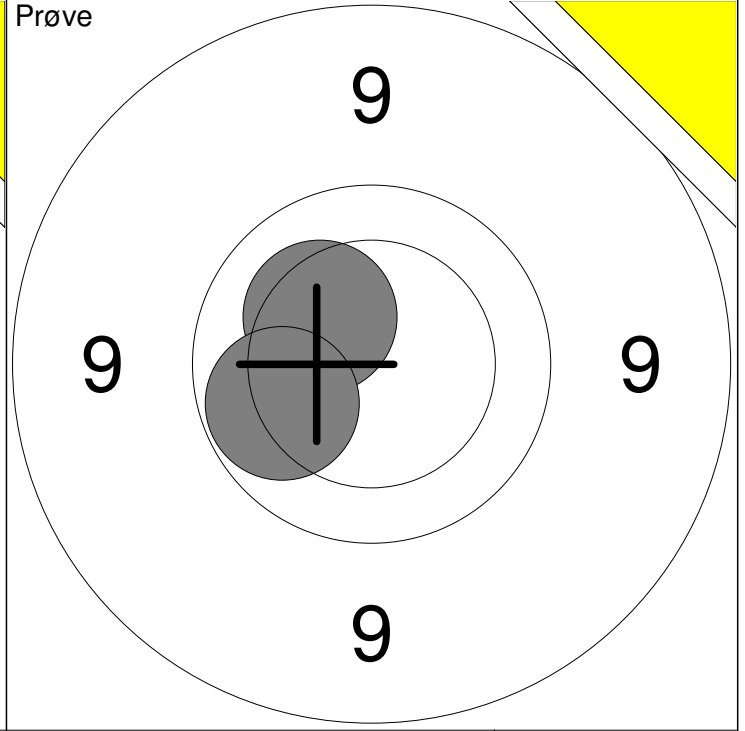
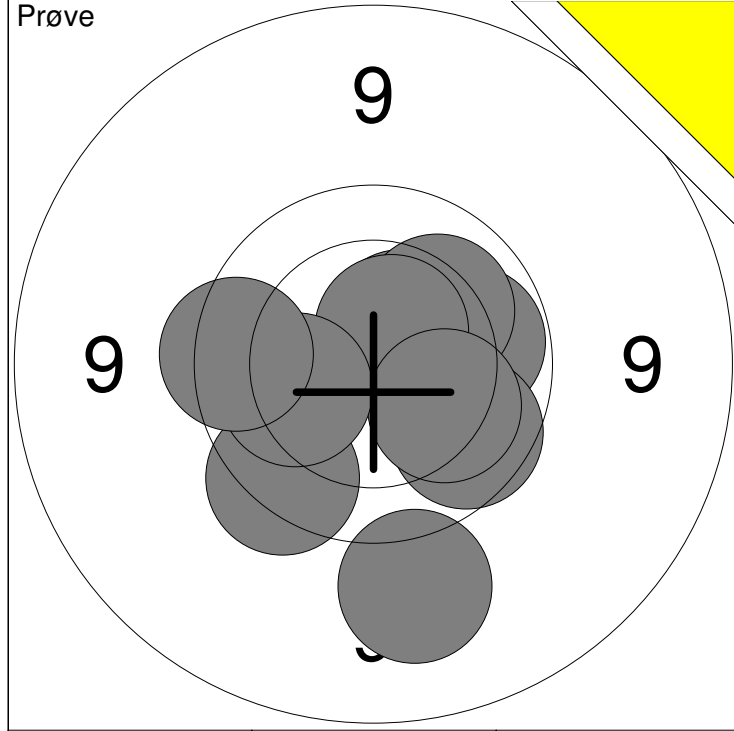


1:	10.1	↑
2:	10.3	↗
3:	10.0	→
4:	9.9	←
5:	10.6	←
6:	10.7x	↘
7:	10.7x	↑
8:	10.7x	↗
9:	10.4	↗
10:	10.6	↓
<b>Serie</b>		<b>99</b>
<b>Total</b>		<b>99</b>



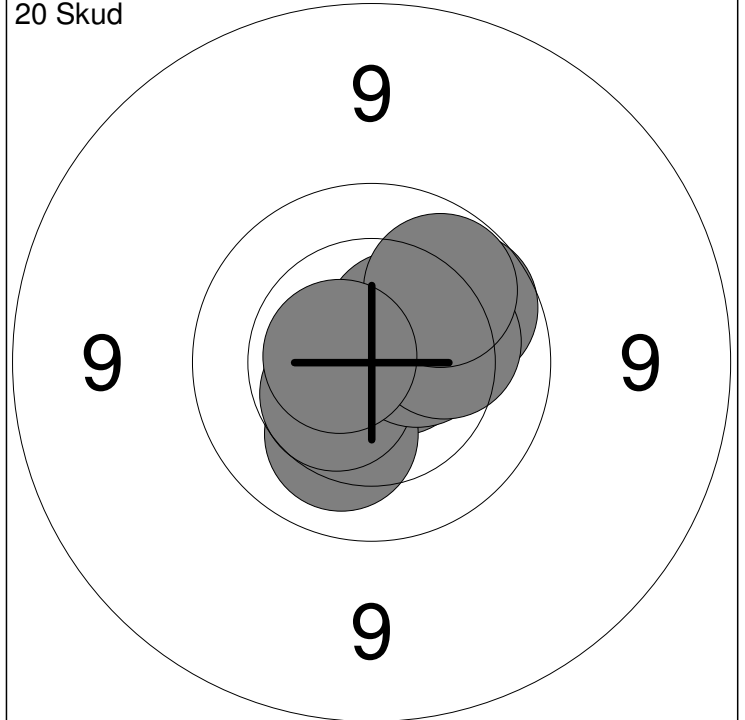
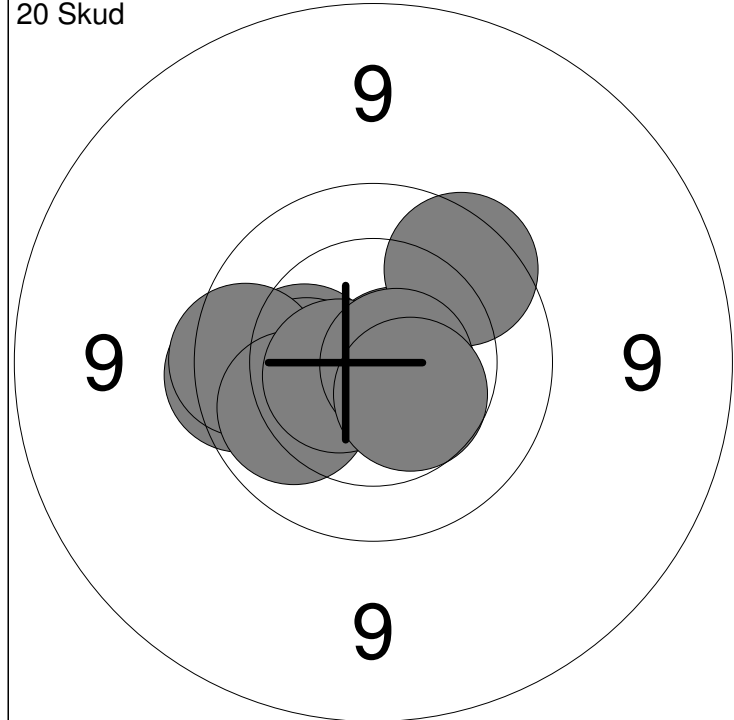
11:	10.5	↘
12:	10.4	↗
13:	10.3	↑
14:	10.5	↓
15:	10.6x	↗
16:	10.3	↑
17:	10.4	↗
18:	9.9	←
19:	10.7x	↗
20:	10.1	↗
<b>Serie</b>		<b>99</b>
<b>Total</b>		<b>198</b>

Hold <b>95</b>	Skive <b>4</b>	<b>Anders Christian Uhrenholt</b>																																
Aalborg		Skørping Skytteforening		BK2																														
15.02.2018		Jyllandsstævnet		Aalborg Skyttekreds																														
<b>Prøve</b>		<table border="0"> <tr><td>1:</td><td>10.4</td><td>↘</td></tr> <tr><td>2:</td><td>10.8x</td><td>↘</td></tr> <tr><td>3:</td><td>10.4</td><td>→</td></tr> <tr><td>4:</td><td>10.7x</td><td>→</td></tr> <tr><td>5:</td><td>10.3</td><td>↗</td></tr> <tr><td>6:</td><td>10.5</td><td>↗</td></tr> <tr><td>7:</td><td>10.4</td><td>↘</td></tr> <tr><td>8:</td><td>10.4</td><td>↘</td></tr> <tr><td>9:</td><td>10.3</td><td>↘</td></tr> <tr><td>10:</td><td>10.7x</td><td>↖</td></tr> </table>			1:	10.4	↘	2:	10.8x	↘	3:	10.4	→	4:	10.7x	→	5:	10.3	↗	6:	10.5	↗	7:	10.4	↘	8:	10.4	↘	9:	10.3	↘	10:	10.7x	↖
1:	10.4	↘																																
2:	10.8x	↘																																
3:	10.4	→																																
4:	10.7x	→																																
5:	10.3	↗																																
6:	10.5	↗																																
7:	10.4	↘																																
8:	10.4	↘																																
9:	10.3	↘																																
10:	10.7x	↖																																
		Serie		100																														
		Total		0																														
<b>20 Skud</b>		<table border="0"> <tr><td>1:</td><td>10.6x</td><td>↗</td></tr> <tr><td>2:</td><td>10.5x</td><td>↘</td></tr> <tr><td>3:</td><td>10.4</td><td>↘</td></tr> <tr><td>4:</td><td>9.9</td><td>↗</td></tr> <tr><td>5:</td><td>10.6x</td><td>↖</td></tr> <tr><td>6:</td><td>10.5x</td><td>→</td></tr> <tr><td>7:</td><td>10.5x</td><td>↗</td></tr> <tr><td>8:</td><td>10.3</td><td>↗</td></tr> <tr><td>9:</td><td>10.7x</td><td>↗</td></tr> <tr><td>10:</td><td>10.4</td><td>↗</td></tr> </table>			1:	10.6x	↗	2:	10.5x	↘	3:	10.4	↘	4:	9.9	↗	5:	10.6x	↖	6:	10.5x	→	7:	10.5x	↗	8:	10.3	↗	9:	10.7x	↗	10:	10.4	↗
1:	10.6x	↗																																
2:	10.5x	↘																																
3:	10.4	↘																																
4:	9.9	↗																																
5:	10.6x	↖																																
6:	10.5x	→																																
7:	10.5x	↗																																
8:	10.3	↗																																
9:	10.7x	↗																																
10:	10.4	↗																																
		Serie		99																														
		Total		99																														
<b>20 Skud</b>		<table border="0"> <tr><td>11:</td><td>10.4</td><td>↗</td></tr> <tr><td>12:</td><td>10.6x</td><td>↘</td></tr> <tr><td>13:</td><td>10.6x</td><td>↘</td></tr> <tr><td>14:</td><td>10.4</td><td>→</td></tr> <tr><td>15:</td><td>10.7x</td><td>↘</td></tr> <tr><td>16:</td><td>10.3</td><td>→</td></tr> <tr><td>17:</td><td>10.7x</td><td>↗</td></tr> <tr><td>18:</td><td>10.2</td><td>↖</td></tr> <tr><td>19:</td><td>10.9x</td><td>↗</td></tr> <tr><td>20:</td><td>10.6x</td><td>↘</td></tr> </table>			11:	10.4	↗	12:	10.6x	↘	13:	10.6x	↘	14:	10.4	→	15:	10.7x	↘	16:	10.3	→	17:	10.7x	↗	18:	10.2	↖	19:	10.9x	↗	20:	10.6x	↘
11:	10.4	↗																																
12:	10.6x	↘																																
13:	10.6x	↘																																
14:	10.4	→																																
15:	10.7x	↘																																
16:	10.3	→																																
17:	10.7x	↗																																
18:	10.2	↖																																
19:	10.9x	↗																																
20:	10.6x	↘																																
		Serie		100																														
		Total		199																														



1: 9.3 ↓	6: 10.6x ↗	Serie	96
2: 10.0 →	7: 9.7 ↘		
3: 9.9 ↘	8: 10.1 ↘	Total	0
4: 10.5 ↗	9: 10.1 ←		
5: 10.1 ↗	10: 9.8 ←		

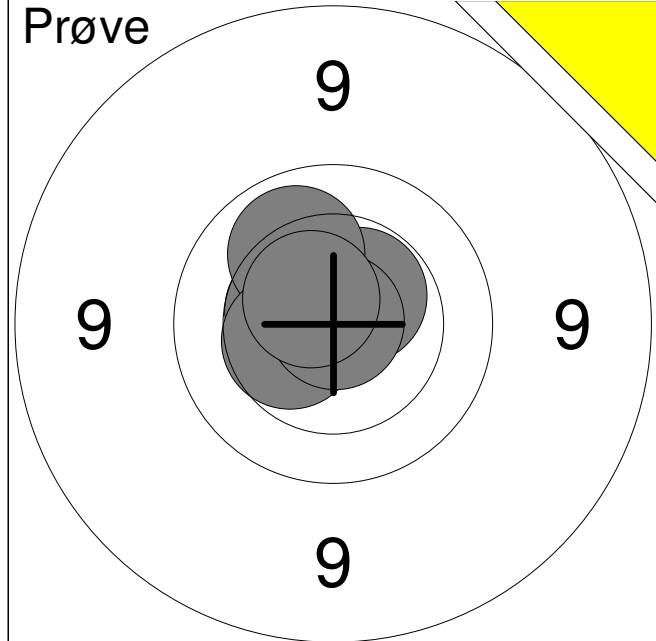
11: 10.3 ↖	Serie	20
12: 10.0 ←		
	Total	0



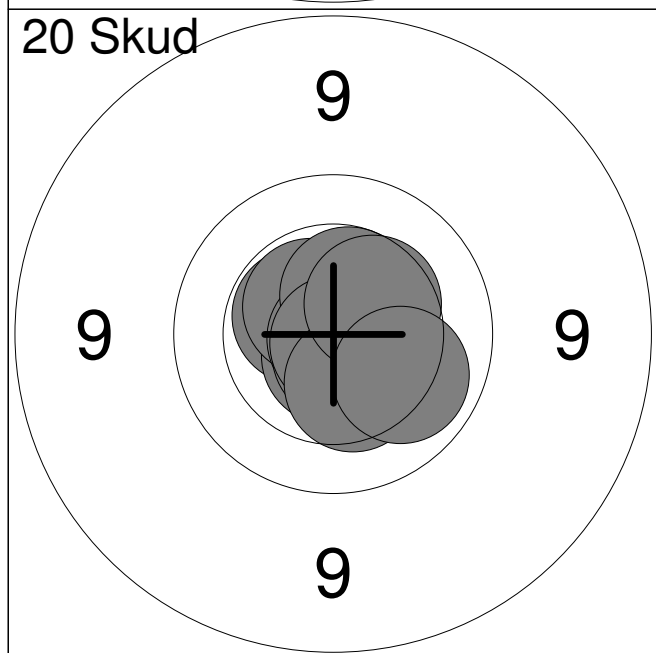
1: 10.3 ←	6: 10.1 ←	Serie	97
2: 10.7x →	7: 9.8 ↗		
3: 10.3 ←	8: 10.6x ←	Total	97
4: 9.8 ←	9: 10.7x →		
5: 9.8 ←	10: 10.5 ↘		

11: 10.5x ↗	16: 10.5x ↘	Serie	99
12: 10.7x →	17: 10.5x →		
13: 10.4 ↘	18: 10.2 →	Total	196
14: 10.2 ↘	19: 10.0 ↗		
15: 9.9 ↗	20: 10.6x ←		

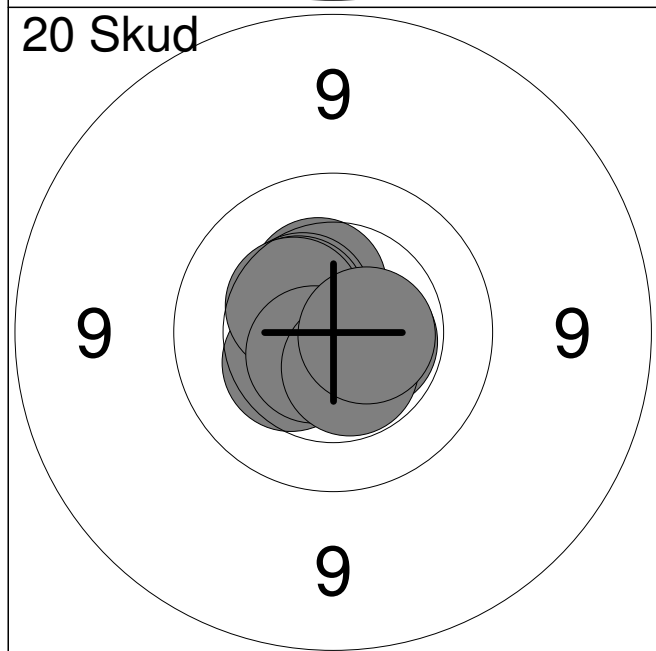




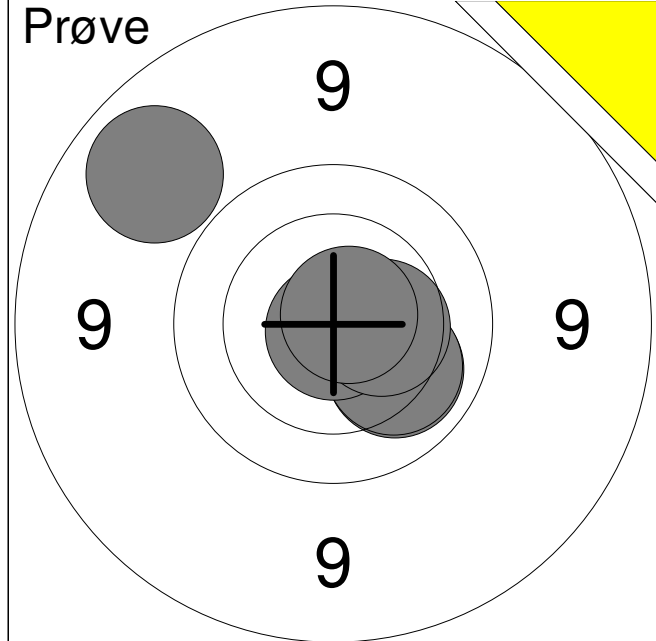
1:	10.5x	↗
2:	10.5	↖
3:	10.1	↗
4:	10.4	↖
5:	10.9x	↗
6:	10.6x	↗
<b>Serie</b>		<b>60</b>
<b>Total</b>		<b>0</b>



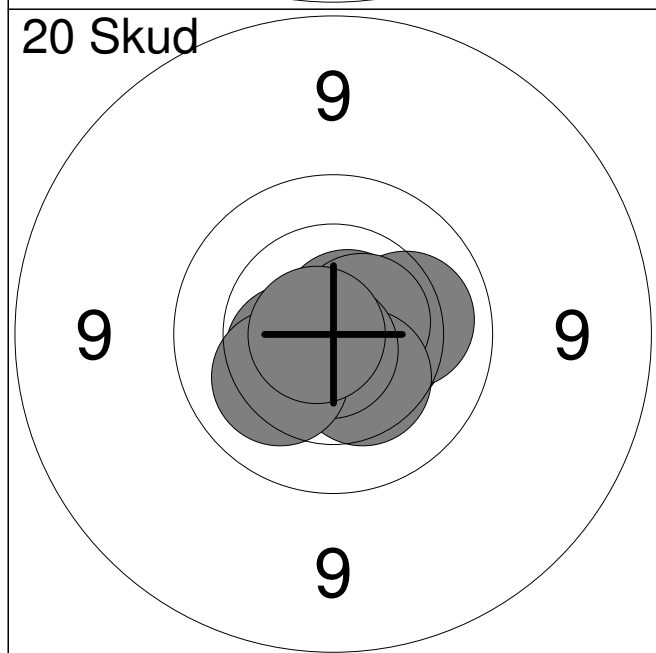
1:	10.5x	↗
2:	10.7x	↘
3:	10.6x	↗
4:	10.9x	↘
5:	10.7x	↘
6:	10.5x	↗
7:	10.8x	↘
8:	10.4	↘
9:	10.4	↗
10:	10.1	↘
<b>Serie</b>		<b>100</b>
<b>Total</b>		<b>100</b>



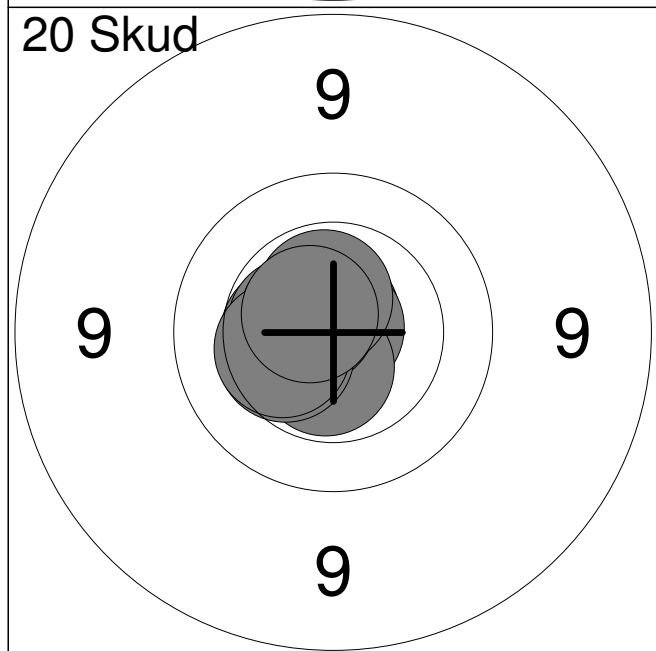
11:	10.5x	→
12:	10.7x	↖
13:	10.4	↖
14:	10.4	↗
15:	10.5	↗
16:	10.5	↗
17:	10.4	↗
18:	10.6x	↘
19:	10.5x	↘
20:	10.6x	→
<b>Serie</b>		<b>100</b>
<b>Total</b>		<b>200</b>



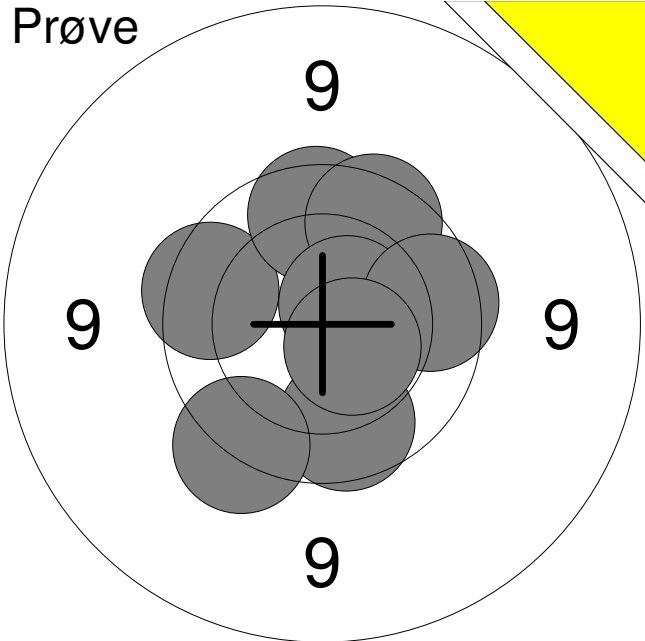
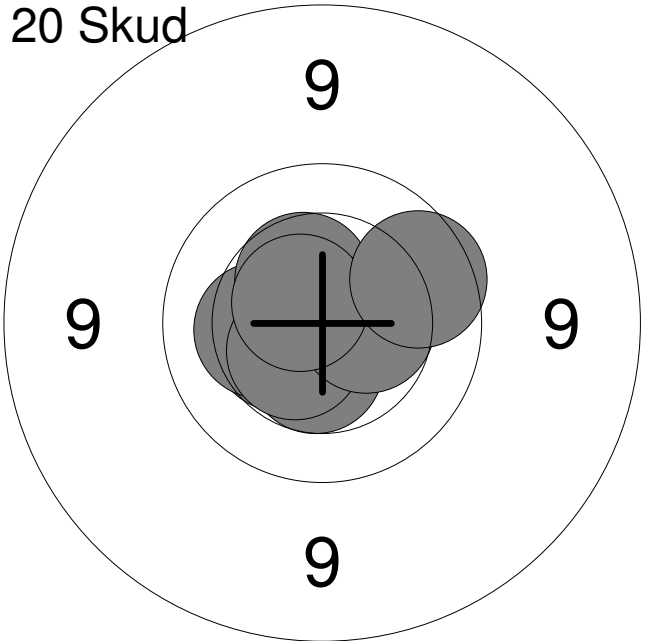
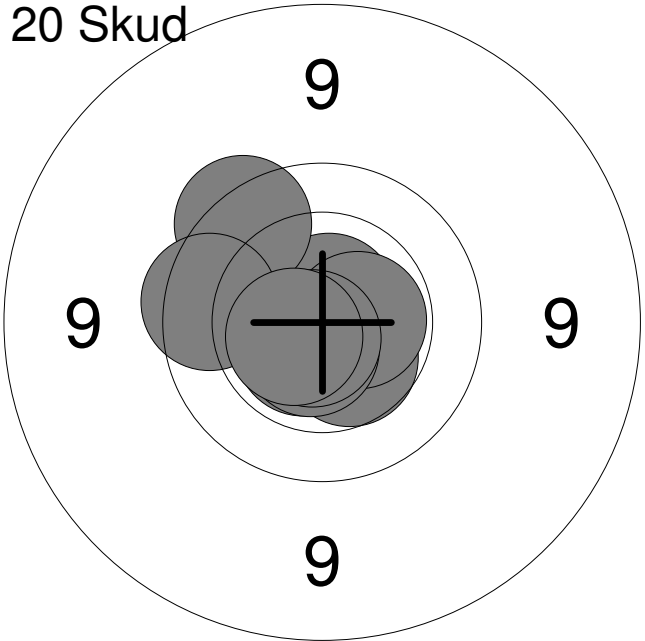
1:	9.1	↗
2:	10.1	↘
3:	10.1	↘
4:	10.9x	↓
5:	10.4	→
6:	10.8x	↗
<b>Serie</b>		<b>59</b>
<b>Total</b>		<b>0</b>

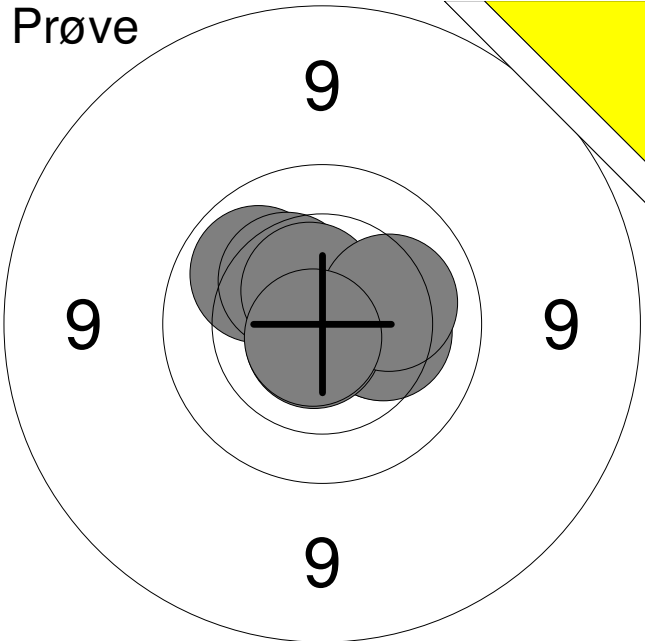
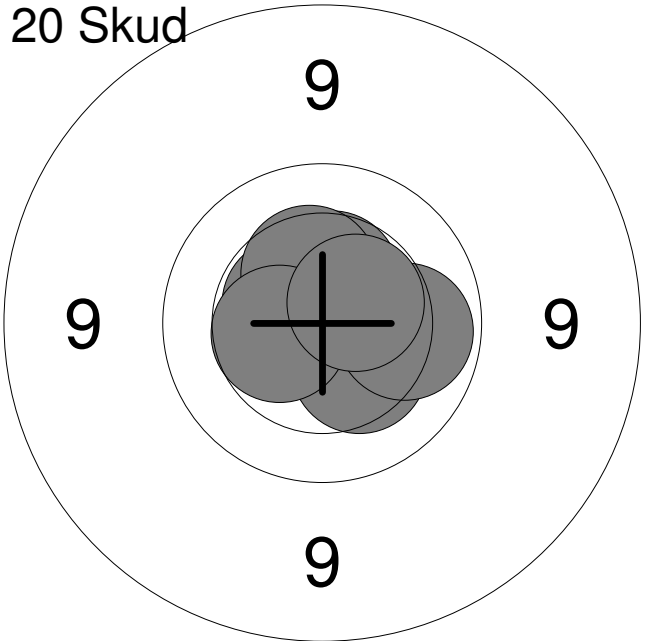
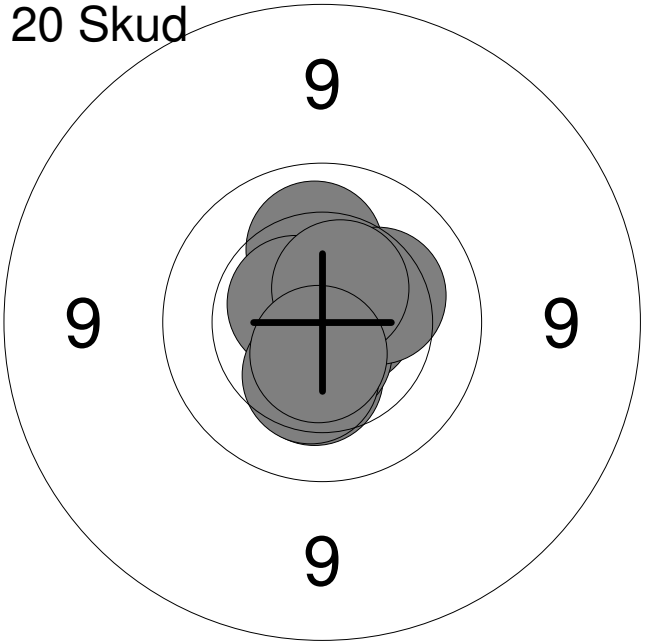


1:	10.7x	↓
2:	10.4	→
3:	10.7x	↗
4:	10.1	→
5:	10.6x	↗
6:	10.4	↘
7:	10.5	←
8:	10.8x	↓
9:	10.2	↙
10:	10.8x	←
<b>Serie</b>		<b>100</b>
<b>Total</b>		<b>100</b>

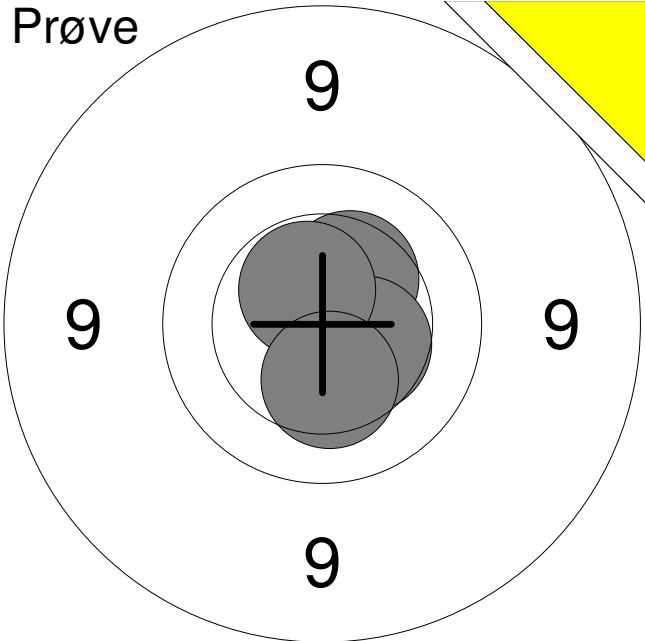


11:	10.8x	↑
12:	10.5	←
13:	10.9x	↗
14:	10.6x	↘
15:	10.5x	←
16:	10.6x	↗
17:	10.4	←
18:	10.4	←
19:	10.6x	↑
20:	10.6x	↖
<b>Serie</b>		<b>100</b>
<b>Total</b>		<b>200</b>

Hold	Skive	Ella Højgaard		
95	8	Aalborg	Vilsted Skytteforening	MBK2
15.02.2018	Jyllandsstævnet	Aalborg Skyttekreds		
<b>Prøve</b> 	1:	9.9	↓	
	2:	9.6	↙	
	3:	9.8	←	
	4:	9.8	↑	
	5:	9.8	↗	
	6:	10.6x	↘	
	7:	9.8	→	
	8:	10.5x	↘	
	<b>Serie</b>			<b>74</b>
	<b>Total</b>			<b>0</b>
<b>20 Skud</b> 	1:	10.5	↓	
	2:	10.4	←	
	3:	10.7x	←	
	4:	10.3	←	
	5:	10.8x	→	
	6:	10.4	↑	
	7:	10.5x	↙	
	8:	10.5	→	
	9:	10.6x	↗	
	10:	9.9	↘	
<b>Serie</b>			<b>99</b>	
<b>Total</b>			<b>99</b>	
<b>20 Skud</b> 	11:	10.7x	↑	
	12:	10.6x	↙	
	13:	10.7x	↙	
	14:	9.7	↗	
	15:	10.5	↙	
	16:	10.6x	→	
	17:	10.6x	↙	
	18:	9.8	←	
	19:	10.7x	↙	
	20:	10.6x	←	
<b>Serie</b>			<b>98</b>	
<b>Total</b>			<b>197</b>	

Hold	Skive	Liva Møller		
95	9	Aalborg	Vilsted Skytteforening	BK1
15.02.2018	Jyllandsstævnet	Aalborg Skyttekreds		
Prøve		1:	10.3	→
		2:	10.6x	↗
		3:	10.1	↗
		4:	10.3	↗
		5:	10.6x	↗
		6:	10.3	→
		7:	10.8x	↘
		8:	10.2	→
		9:	10.8x	↘
		Serie		90
		Total		0
20 Skud		1:	10.7x	↘
		2:	10.9x	↘
		3:	10.6x	↗
		4:	10.5	↗
		5:	10.3	↘
		6:	10.5x	↗
		7:	10.4	↗
		8:	10.5	←
		9:	10.0	→
		10:	10.5x	↗
		Serie		100
		Total		100
20 Skud		11:	10.7x	→
		12:	10.3	↘
		13:	10.8x	↘
		14:	10.1	↗
		15:	10.6x	↗
		16:	10.6x	↘
		17:	10.3	→
		18:	10.5x	↗
		19:	10.4	↘
		20:	10.6x	↘
		Serie		100
		Total		200

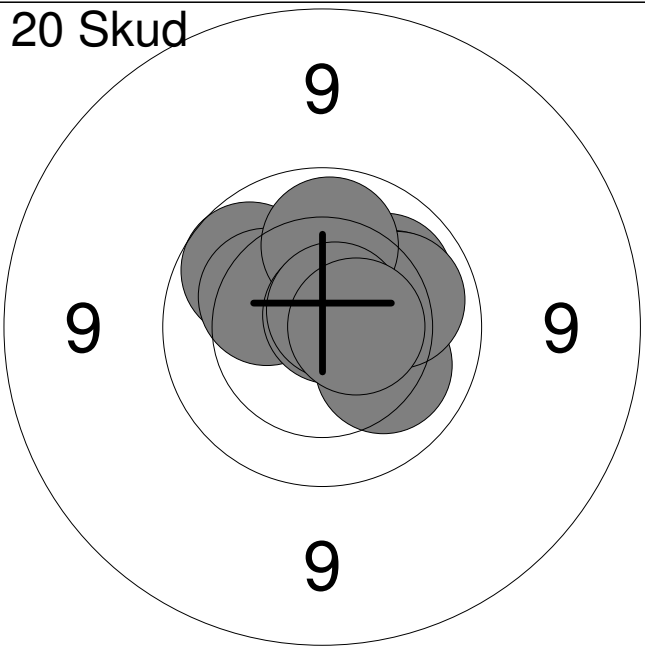
**Prøve**



1:	10.4	↗
2:	10.4	↘
3:	10.5x	↗
4:	10.3	↘

Serie	40
Total	0

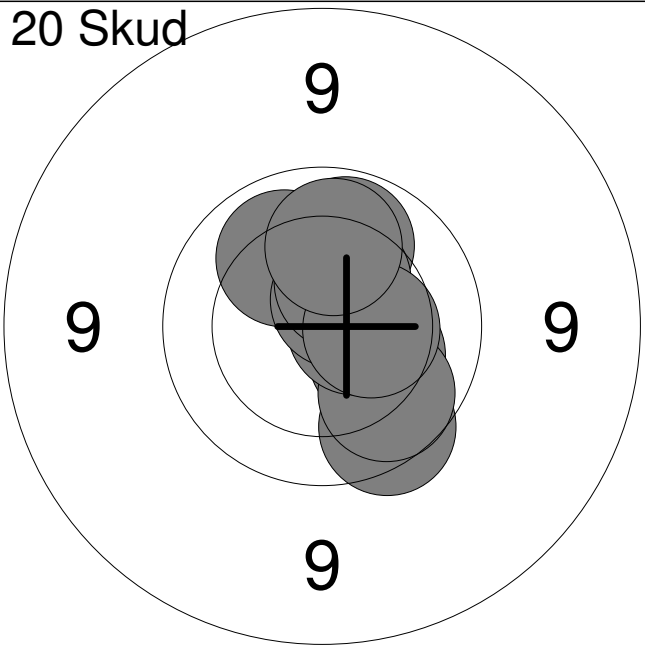
**20 Skud**



1:	10.2	↘
2:	10.1	↗
3:	10.1	↗
4:	9.9	↗
5:	10.3	↖
6:	10.1	↗
7:	10.0	↑
8:	10.8x	↗
9:	10.7x	↗
10:	10.6x	→

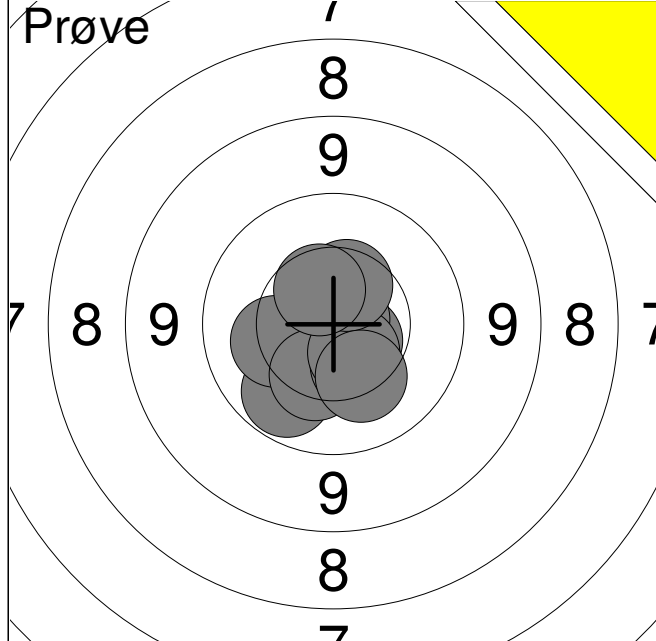
Serie	99
Total	99

**20 Skud**

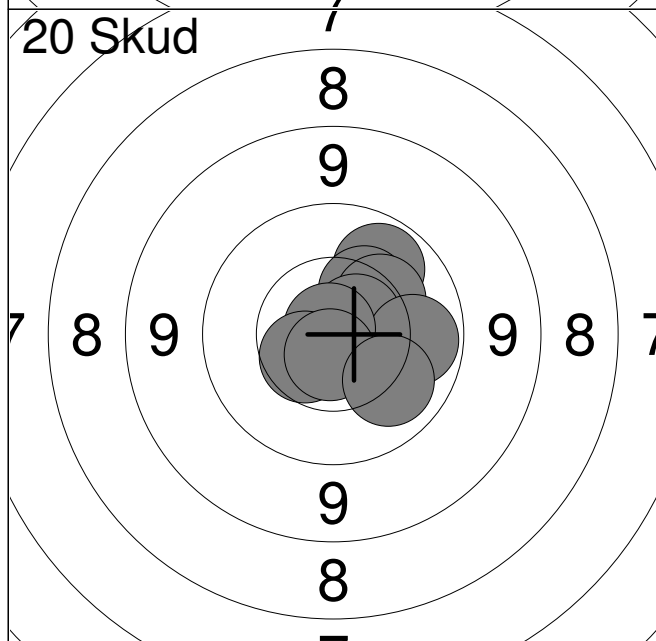


11:	9.8	↘
12:	10.0	↑
13:	10.3	↘
14:	9.9	↘
15:	10.1	↗
16:	10.6x	→
17:	10.6x	↗
18:	10.4	↗
19:	10.4	→
20:	10.1	↑

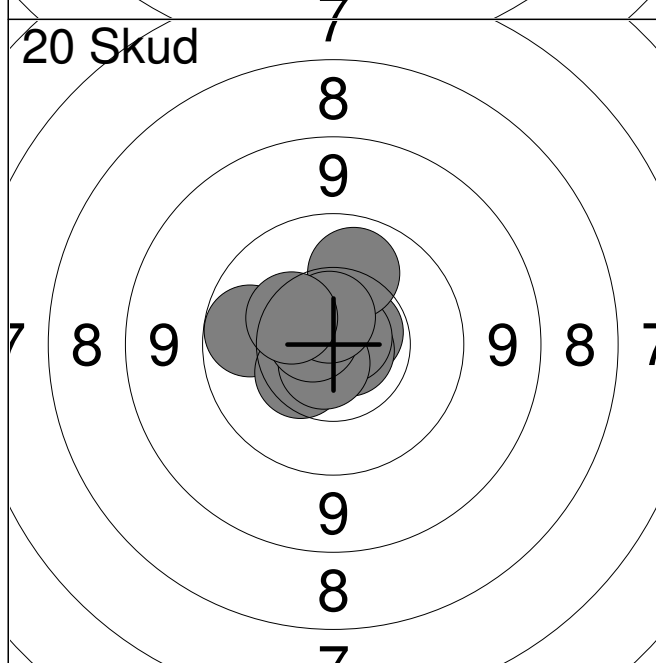
Serie	98
Total	197



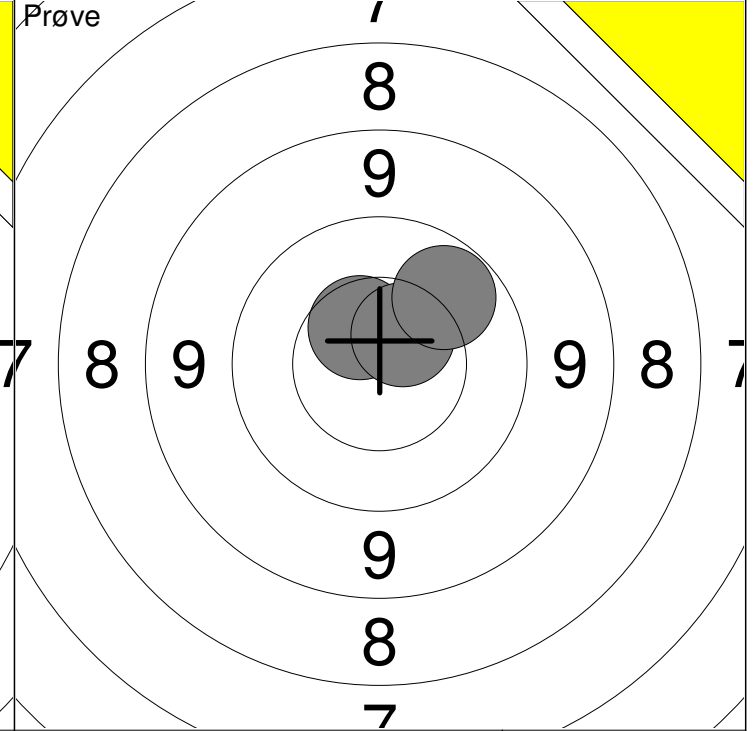
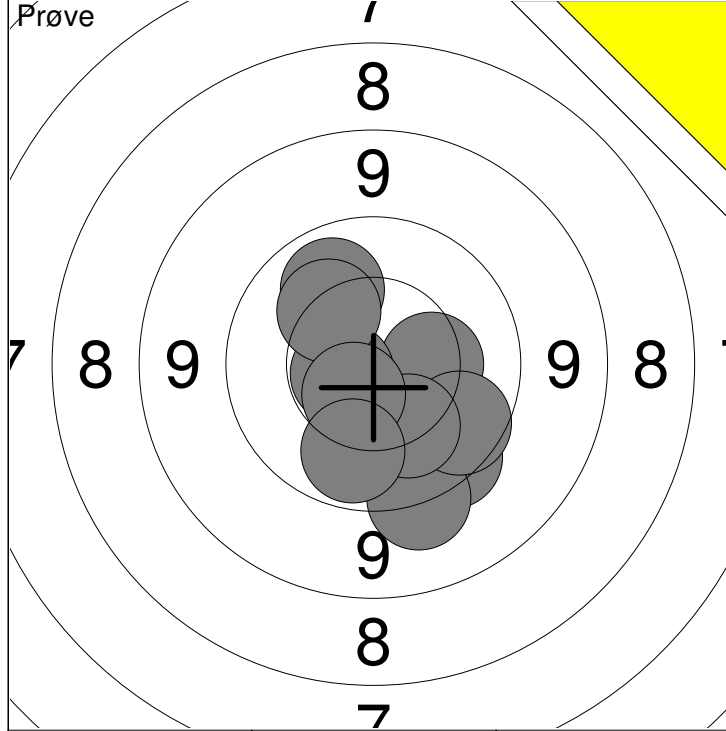
1:	10.0	↘
2:	10.6x	↘
3:	10.2	←
4:	10.8x	→
5:	10.3	↘
6:	10.4	↘
7:	10.5	↘
8:	10.5	↑
9:	10.3	↘
10:	10.5	↑
<b>Serie</b>		<b>100</b>
<b>Total</b>		<b>0</b>



1:	10.0	↗
2:	10.3	↗
3:	10.3	↗
4:	10.6x	→
5:	10.6x	↗
6:	10.0	→
7:	10.9x	↗
8:	10.5	↙
9:	10.7x	↘
10:	10.1	↘
<b>Serie</b>		<b>100</b>
<b>Total</b>		<b>100</b>

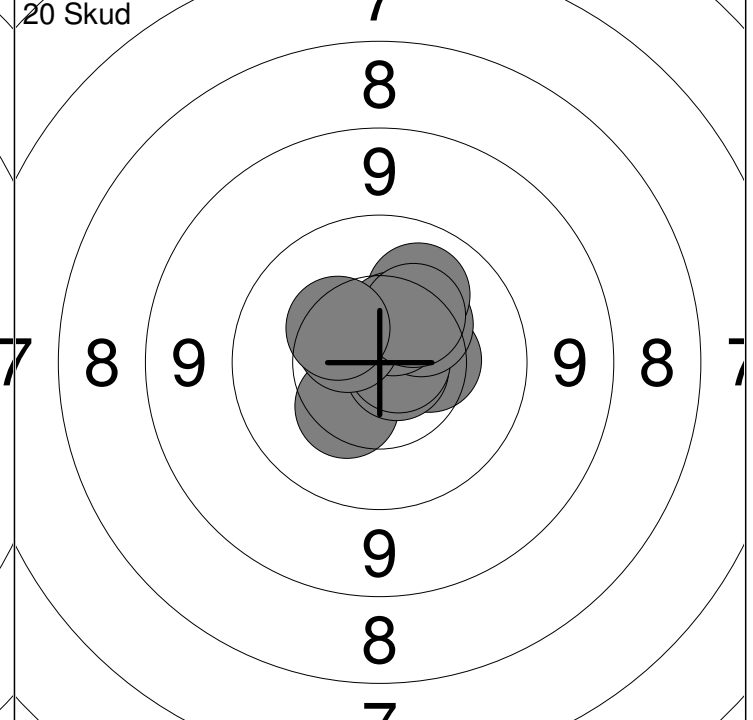
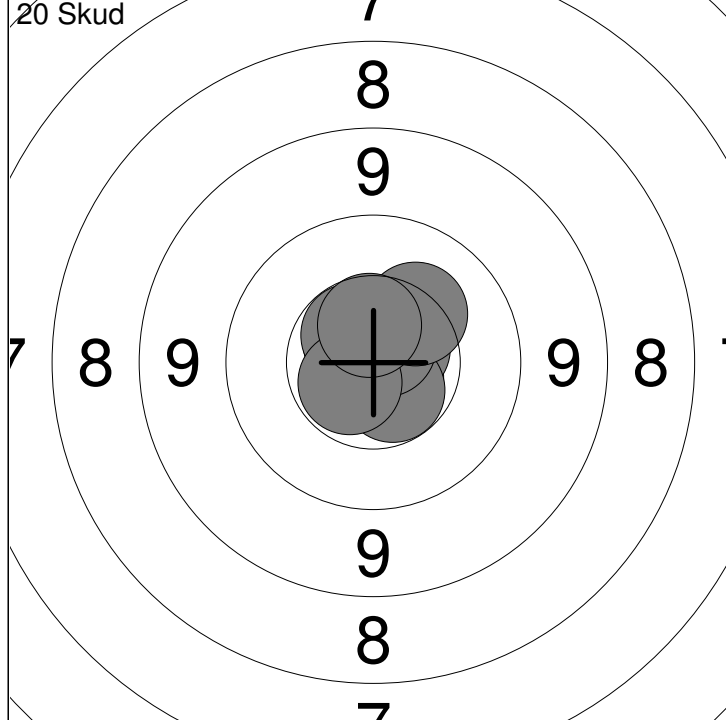


11:	9.9	←
12:	10.6x	↗
13:	10.8x	↘
14:	10.4	↙
15:	10.8x	↗
16:	10.1	↑
17:	10.7x	↘
18:	10.7x	←
19:	10.6x	↑
20:	10.4	↖
<b>Serie</b>		<b>99</b>
<b>Total</b>		<b>199</b>



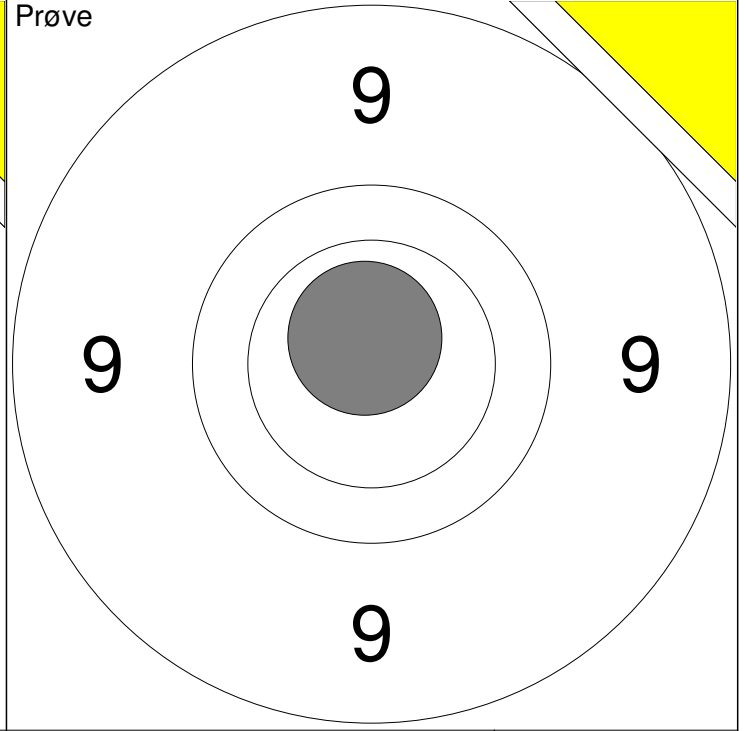
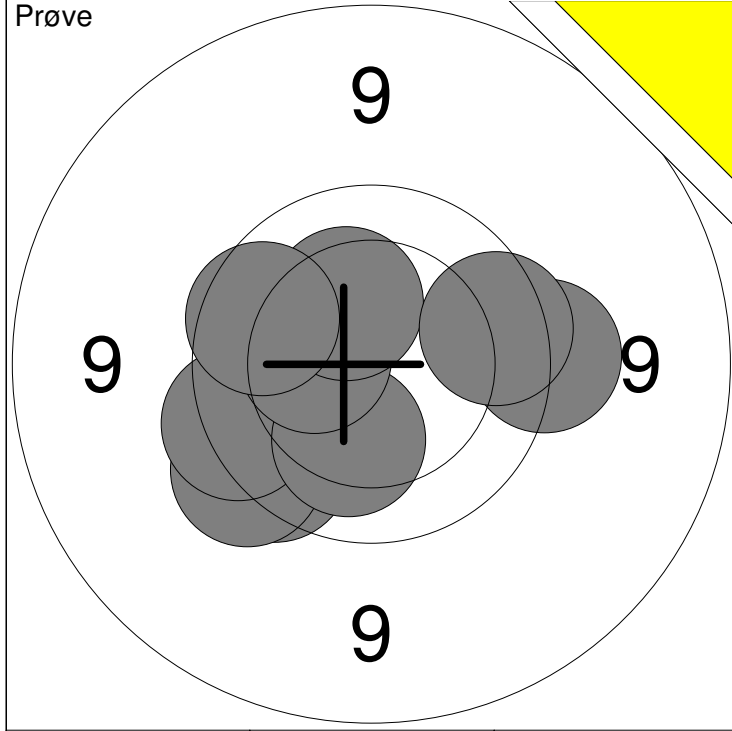
1: 9.7 ↘	6: 10.2 ↗	Serie 97
2: 9.4 ↘	7: 9.8 ↘	
3: 10.1 ↗	8: 10.2 ↘	Total 0
4: 10.3 →	9: 10.6 ↘	
5: 10.6x ←	10: 10.0 ↘	

11: 10.5 ↖	Serie 30
12: 10.6 ↗	
13: 10.0 ↗	Total 0



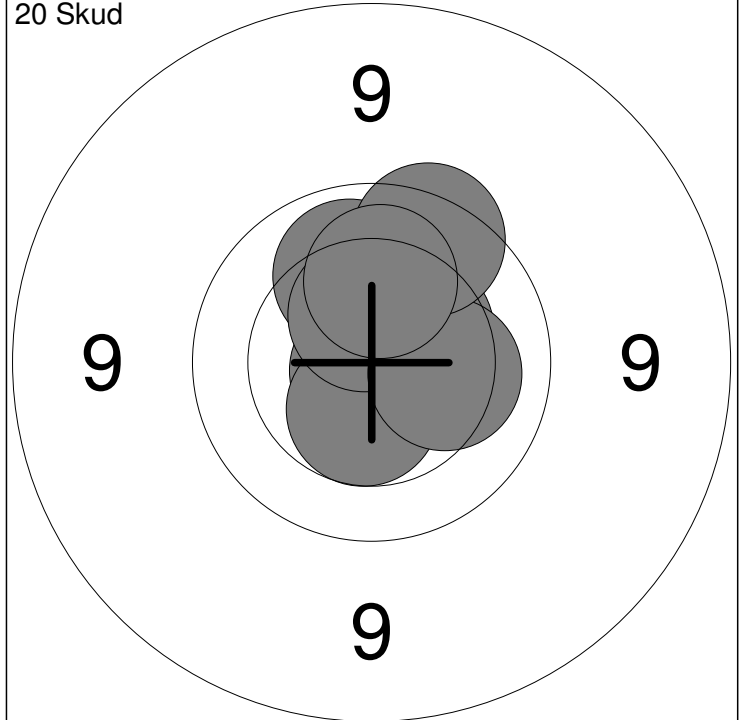
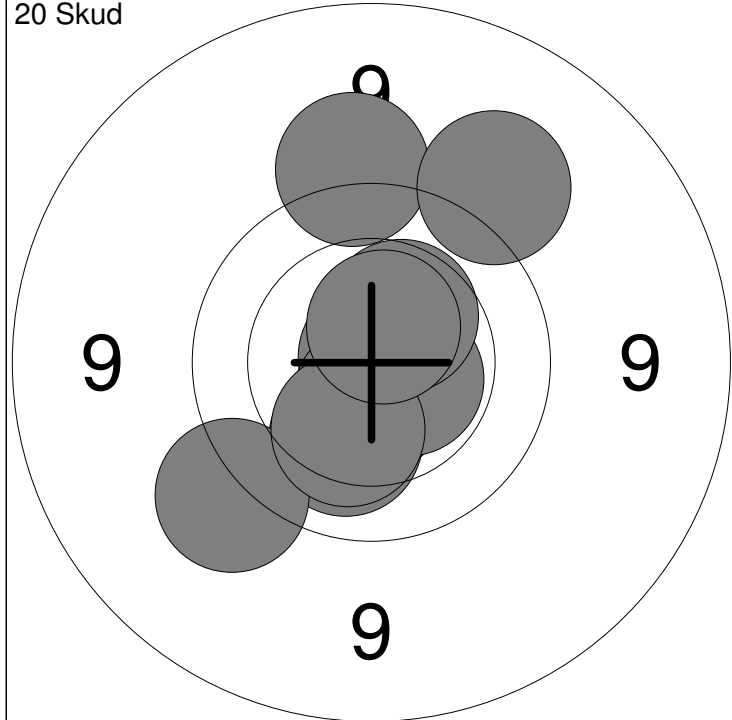
1: 10.7x ↑	6: 10.7x ↗	Serie 100
2: 10.7x ↘	7: 10.6x ↖	
3: 10.6x ↗	8: 10.6x ↙	Total 100
4: 10.7x ↖	9: 10.3 ↗	
5: 10.6x ↘	10: 10.6 ↑	

11: 10.4 →	16: 10.1 ↗	Serie 100
12: 10.4 ↘	17: 10.5 ↑	
13: 10.8x →	18: 10.5 ↖	Total 200
14: 10.7x →	19: 10.3 ↗	
15: 10.4 ↗	20: 10.4 ↖	



1: 9.7 ↙	6: 10.2 ↓	Serie	94
2: 9.6 ↙	7: 10.4 ←		
3: 10.3 ←	8: 10.3 ↗	Total	0
4: 9.7 ↙	9: 9.8 →		
5: 9.6 →	10: 9.9 ←		

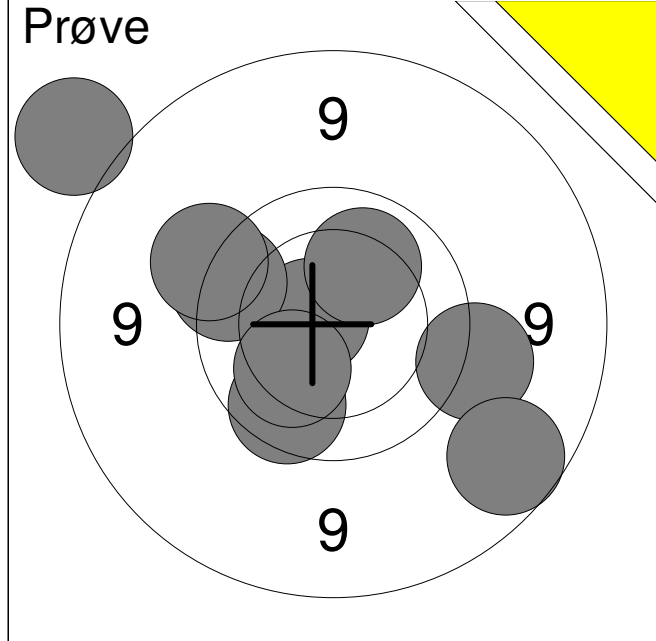
11: 10.7x ↗	Serie	10
	Total	0



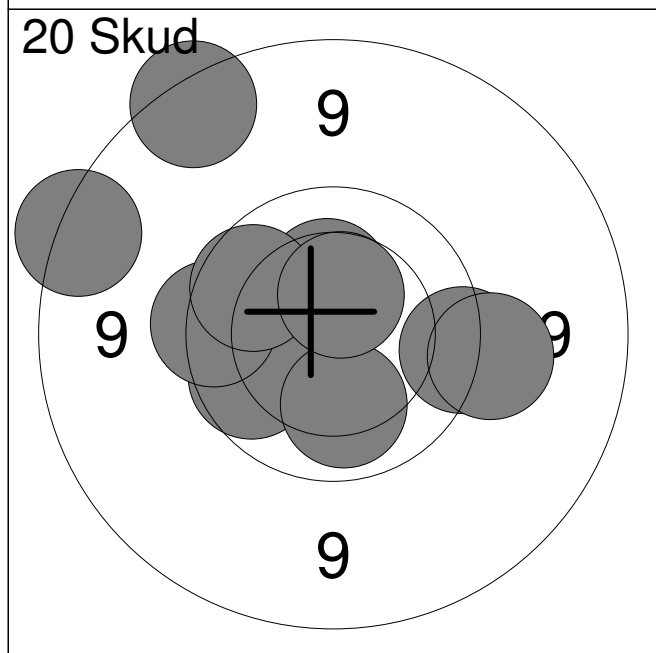
1: 10.9x ↗	6: 9.4 ↑	Serie	97
2: 10.6x ↓	7: 10.4 ↗		
3: 10.2 ↓	8: 10.2 ↓	Total	97
4: 9.4 ↙	9: 10.6x ↗		
5: 10.6x →	10: 9.3 ↗		

11: 10.9x ↓	16: 10.5 ↓	Serie	99
12: 10.7x ↓	17: 10.5 ↑		
13: 10.1 ↗	18: 10.2 →	Total	196
14: 10.4 ↗	19: 9.8 ↗		
15: 10.9x ↓	20: 10.2 ↑		

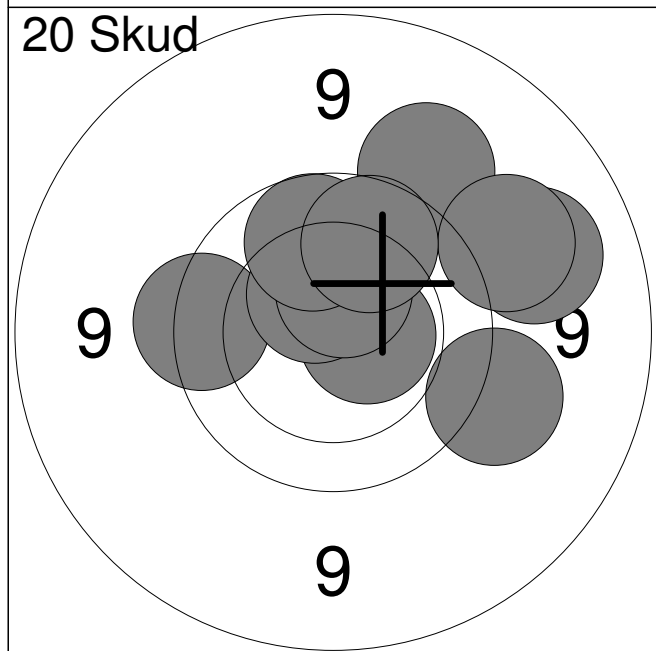




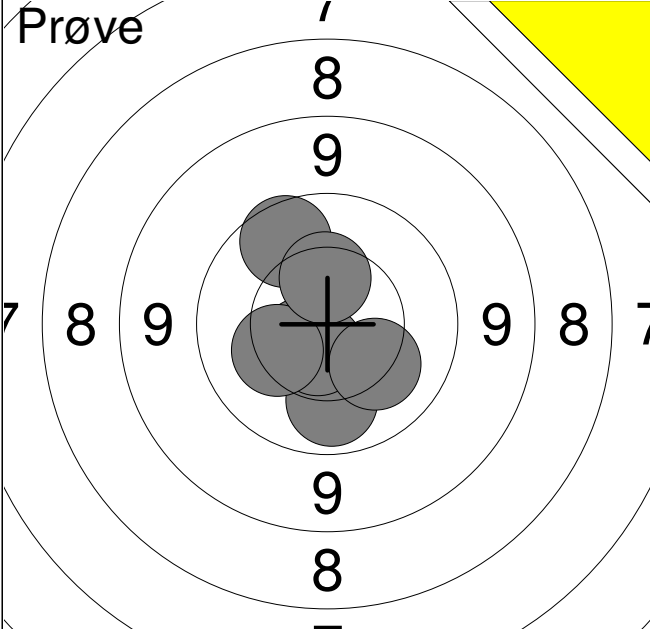
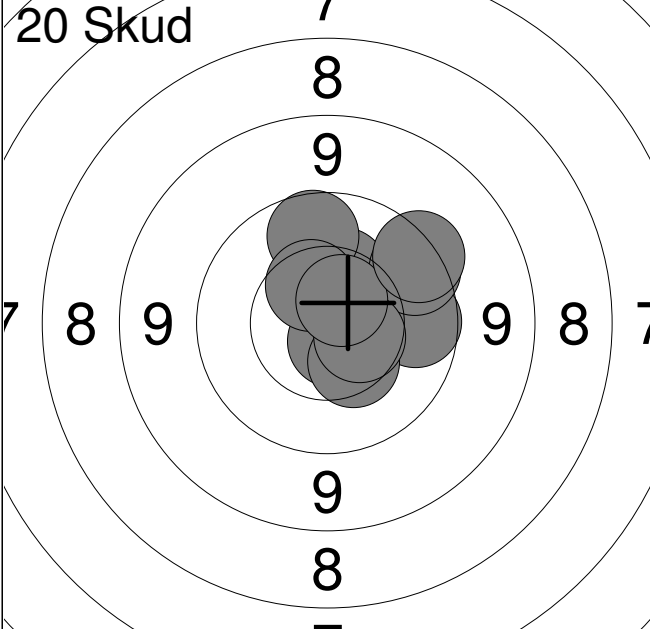
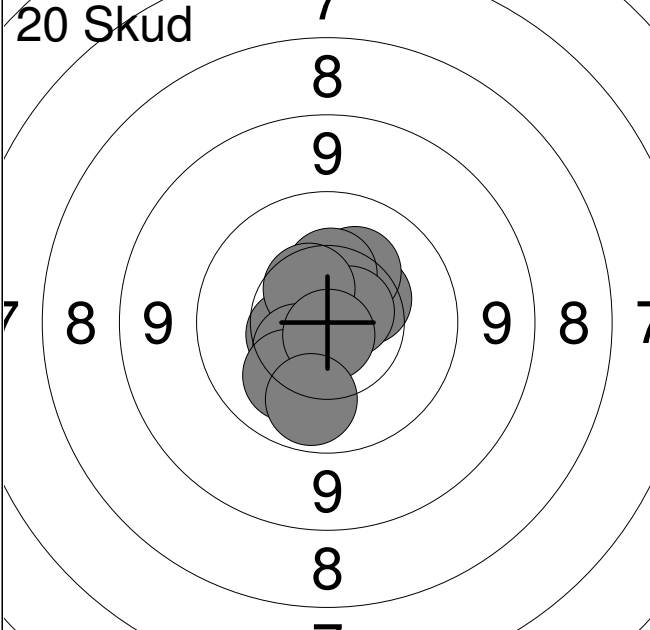
1:	8.5	↗
2:	9.5	→
3:	9.8	↘
4:	10.6x	←
5:	9.7	↖
6:	9.5	↗
7:	8.9	↘
8:	10.1	↗
9:	10.2	↘
<b>Serie</b>		<b>82</b>
<b>Total</b>		<b>0</b>

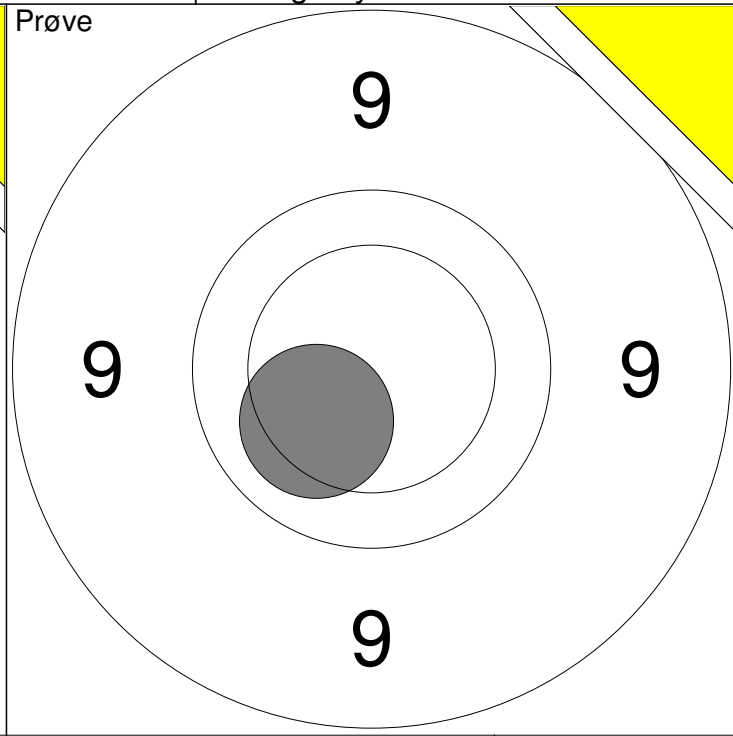
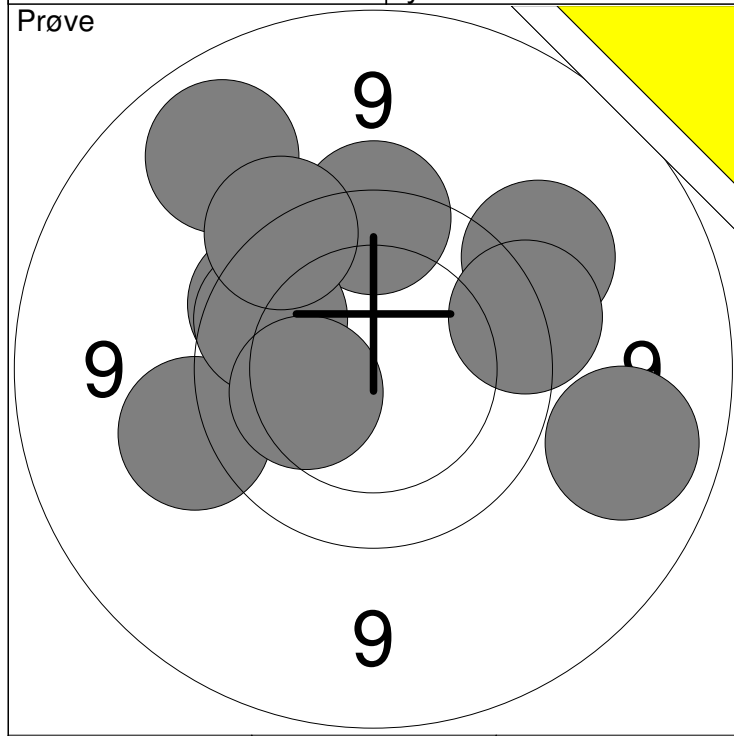


1:	9.9	←
2:	9.6	→
3:	9.7	←
4:	10.3	↑
5:	9.9	↗
6:	9.4	→
7:	8.8	↖
8:	10.1	↘
9:	8.8	↗
10:	10.5	↑
<b>Serie</b>		<b>91</b>
<b>Total</b>		<b>91</b>



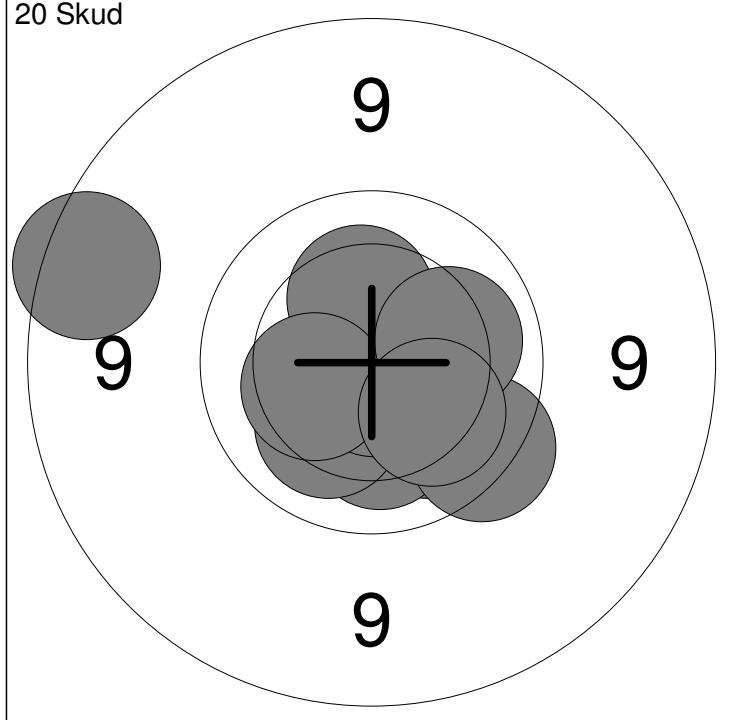
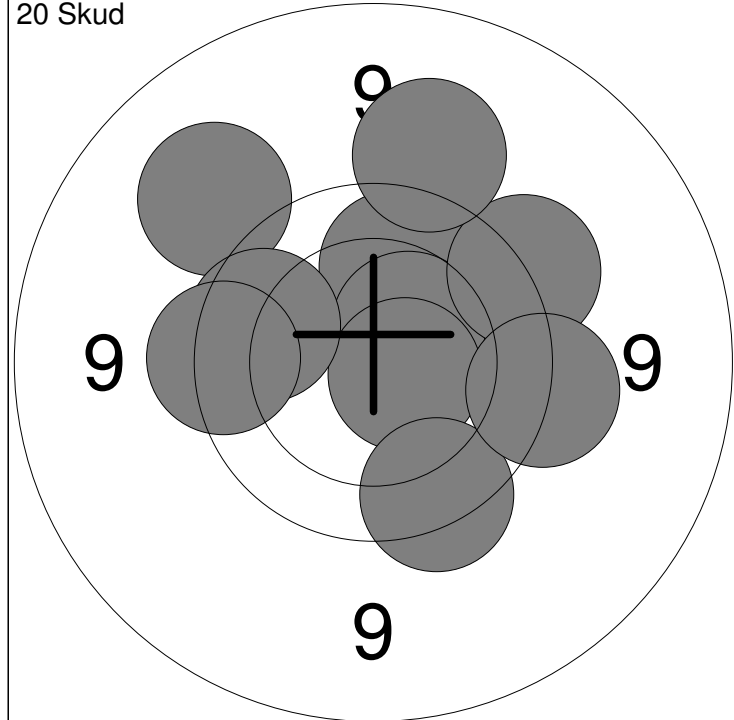
11:	10.6x	→
12:	9.4	↘
13:	9.2	↗
14:	9.7	←
15:	10.5	↗
16:	9.3	↗
17:	10.5	↑
18:	9.9	↑
19:	9.3	↗
20:	9.9	↑
<b>Serie</b>		<b>93</b>
<b>Total</b>		<b>184</b>

Hold <b>96</b>	Skive <b>4</b>	<b>Kasper Rebelski</b>																																
Aalborg		Vilsted Skytteforening		MBK2																														
15.02.2018		Jyllandsstævnet		Aalborg Skyttekreds																														
<b>Prøve</b>		<table border="0"> <tr><td>1:</td><td>10.6x</td><td>↙</td></tr> <tr><td>2:</td><td>10.0</td><td>↓</td></tr> <tr><td>3:</td><td>9.8</td><td>↗</td></tr> <tr><td>4:</td><td>10.6x</td><td>↓</td></tr> <tr><td>5:</td><td>10.2</td><td>↘</td></tr> <tr><td>6:</td><td>10.3</td><td>↖</td></tr> <tr><td>7:</td><td>10.4</td><td>↑</td></tr> </table>			1:	10.6x	↙	2:	10.0	↓	3:	9.8	↗	4:	10.6x	↓	5:	10.2	↘	6:	10.3	↖	7:	10.4	↑									
1:	10.6x	↙																																
2:	10.0	↓																																
3:	9.8	↗																																
4:	10.6x	↓																																
5:	10.2	↘																																
6:	10.3	↖																																
7:	10.4	↑																																
		Serie 69																																
		Total 0																																
<b>20 Skud</b>		<table border="0"> <tr><td>1:</td><td>9.9</td><td>→</td></tr> <tr><td>2:</td><td>10.3</td><td>↑</td></tr> <tr><td>3:</td><td>10.7x</td><td>↓</td></tr> <tr><td>4:</td><td>10.4</td><td>↓</td></tr> <tr><td>5:</td><td>9.9</td><td>↑</td></tr> <tr><td>6:</td><td>10.5</td><td>↑</td></tr> <tr><td>7:</td><td>9.7</td><td>↗</td></tr> <tr><td>8:</td><td>10.5</td><td>↘</td></tr> <tr><td>9:</td><td>10.6x</td><td>↗</td></tr> <tr><td>10:</td><td>9.6</td><td>↗</td></tr> </table>			1:	9.9	→	2:	10.3	↑	3:	10.7x	↓	4:	10.4	↓	5:	9.9	↑	6:	10.5	↑	7:	9.7	↗	8:	10.5	↘	9:	10.6x	↗	10:	9.6	↗
1:	9.9	→																																
2:	10.3	↑																																
3:	10.7x	↓																																
4:	10.4	↓																																
5:	9.9	↑																																
6:	10.5	↑																																
7:	9.7	↗																																
8:	10.5	↘																																
9:	10.6x	↗																																
10:	9.6	↗																																
		Serie 96																																
		Total 96																																
<b>20 Skud</b>		<table border="0"> <tr><td>11:</td><td>10.4</td><td>↗</td></tr> <tr><td>12:</td><td>10.3</td><td>↗</td></tr> <tr><td>13:</td><td>10.4</td><td>↑</td></tr> <tr><td>14:</td><td>10.7x</td><td>↗</td></tr> <tr><td>15:</td><td>10.5</td><td>↖</td></tr> <tr><td>16:</td><td>10.5</td><td>↗</td></tr> <tr><td>17:</td><td>10.5</td><td>↖</td></tr> <tr><td>18:</td><td>10.2</td><td>↖</td></tr> <tr><td>19:</td><td>10.8x</td><td>↓</td></tr> <tr><td>20:</td><td>10.0</td><td>↓</td></tr> </table>			11:	10.4	↗	12:	10.3	↗	13:	10.4	↑	14:	10.7x	↗	15:	10.5	↖	16:	10.5	↗	17:	10.5	↖	18:	10.2	↖	19:	10.8x	↓	20:	10.0	↓
11:	10.4	↗																																
12:	10.3	↗																																
13:	10.4	↑																																
14:	10.7x	↗																																
15:	10.5	↖																																
16:	10.5	↗																																
17:	10.5	↖																																
18:	10.2	↖																																
19:	10.8x	↓																																
20:	10.0	↓																																
		Serie 100																																
		Total 196																																



1: 9.8 ↖	6: 9.1 →	Serie 91
2: 9.4 ↗	7: 9.9 ↖	
3: 9.7 ↑	8: 9.1 ↗	Total 0
4: 9.5 ←	9: 9.6 ↗	
5: 9.6 →	10: 10.2 ←	

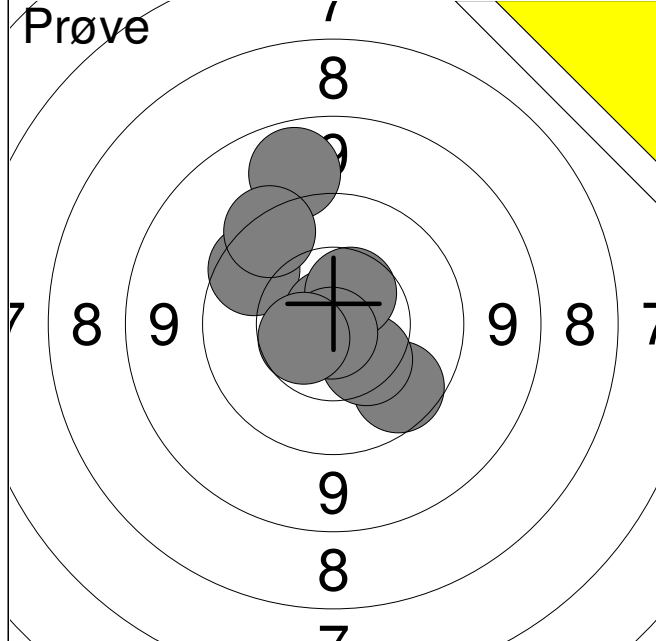
11: 10.2 ↙	Serie 10
	Total 0



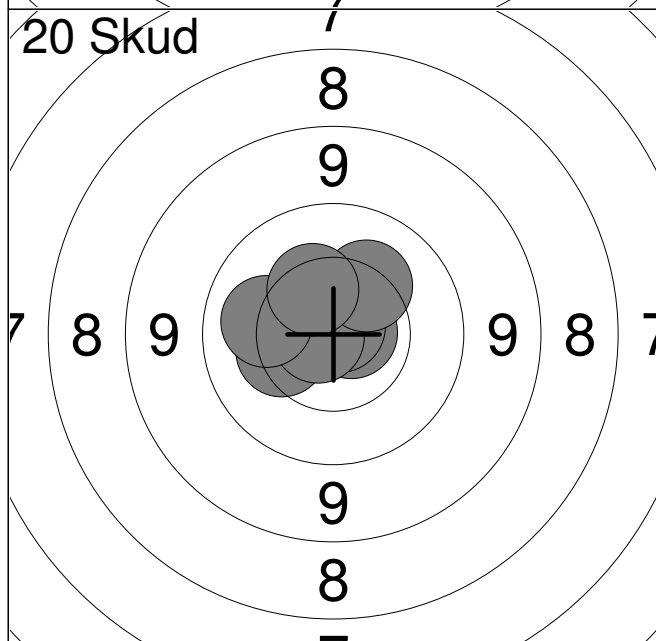
1: 10.0 ↑	6: 9.5 ↗	Serie 93
2: 10.5 ↗	7: 9.9 ↖	
3: 9.2 ↖	8: 9.3 ↑	Total 93
4: 10.6x →	9: 9.6 →	
5: 9.7 ↓	10: 9.7 ←	

11: 10.1 ↘	16: 8.8 ↖	Serie 97
12: 10.2 ↓	17: 10.3 ↑	
13: 10.2 ↙	18: 10.3 ←	Total 190
14: 9.7 ↘	19: 10.1 →	
15: 10.7x ↓	20: 10.1 ↘	

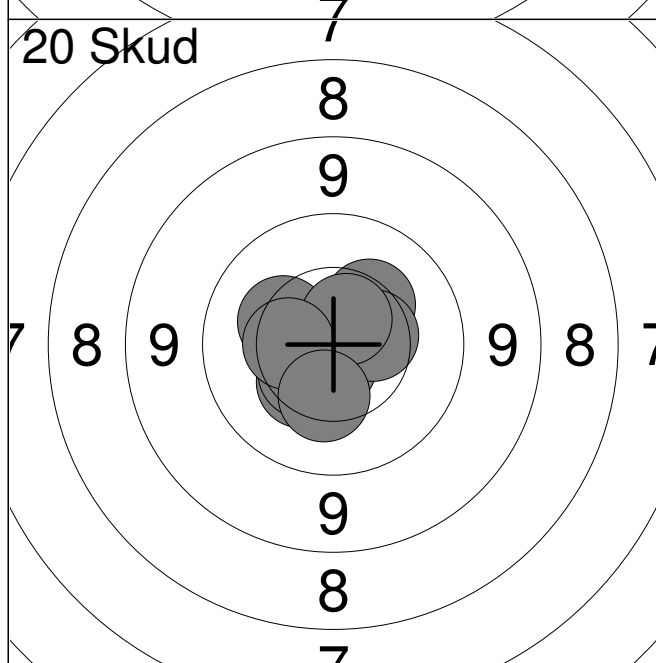
Hold <b>96</b>	Skive <b>6</b>	<b>Niclas Pedersen</b>																																
Aalborg		Vilsted Skytteforening		MFRI																														
15.02.2018		Jyllandsstævnet		Aalborg Skyttekreds																														
<b>Prøve</b>		<table border="0"> <tr><td>1:</td><td>9.7</td><td>→</td></tr> <tr><td>2:</td><td>10.1</td><td>←</td></tr> <tr><td>3:</td><td>10.5</td><td>↓</td></tr> <tr><td>4:</td><td>10.7x</td><td>→</td></tr> <tr><td>5:</td><td>10.1</td><td>←</td></tr> <tr><td>6:</td><td>10.1</td><td>↑</td></tr> </table>			1:	9.7	→	2:	10.1	←	3:	10.5	↓	4:	10.7x	→	5:	10.1	←	6:	10.1	↑												
1:	9.7	→																																
2:	10.1	←																																
3:	10.5	↓																																
4:	10.7x	→																																
5:	10.1	←																																
6:	10.1	↑																																
		<b>Serie</b> <b>59</b>																																
		<b>Total</b> <b>0</b>																																
<b>20 Skud</b>		<table border="0"> <tr><td>1:</td><td>10.2</td><td>↘</td></tr> <tr><td>2:</td><td>10.4</td><td>←</td></tr> <tr><td>3:</td><td>10.1</td><td>↑</td></tr> <tr><td>4:</td><td>10.5x</td><td>↗</td></tr> <tr><td>5:</td><td>10.8x</td><td>↓</td></tr> <tr><td>6:</td><td>10.4</td><td>→</td></tr> <tr><td>7:</td><td>10.6x</td><td>↗</td></tr> <tr><td>8:</td><td>10.3</td><td>→</td></tr> <tr><td>9:</td><td>10.1</td><td>↗</td></tr> <tr><td>10:</td><td>10.2</td><td>→</td></tr> </table>			1:	10.2	↘	2:	10.4	←	3:	10.1	↑	4:	10.5x	↗	5:	10.8x	↓	6:	10.4	→	7:	10.6x	↗	8:	10.3	→	9:	10.1	↗	10:	10.2	→
1:	10.2	↘																																
2:	10.4	←																																
3:	10.1	↑																																
4:	10.5x	↗																																
5:	10.8x	↓																																
6:	10.4	→																																
7:	10.6x	↗																																
8:	10.3	→																																
9:	10.1	↗																																
10:	10.2	→																																
		<b>Serie</b> <b>100</b>																																
		<b>Total</b> <b>100</b>																																
<b>20 Skud</b>		<table border="0"> <tr><td>11:</td><td>10.2</td><td>↖</td></tr> <tr><td>12:</td><td>10.2</td><td>←</td></tr> <tr><td>13:</td><td>10.5</td><td>↘</td></tr> <tr><td>14:</td><td>10.3</td><td>→</td></tr> <tr><td>15:</td><td>10.5</td><td>←</td></tr> <tr><td>16:</td><td>10.0</td><td>↗</td></tr> <tr><td>17:</td><td>10.0</td><td>←</td></tr> <tr><td>18:</td><td>10.7x</td><td>↗</td></tr> <tr><td>19:</td><td>10.8x</td><td>↓</td></tr> <tr><td>20:</td><td>10.0</td><td>↘</td></tr> </table>			11:	10.2	↖	12:	10.2	←	13:	10.5	↘	14:	10.3	→	15:	10.5	←	16:	10.0	↗	17:	10.0	←	18:	10.7x	↗	19:	10.8x	↓	20:	10.0	↘
11:	10.2	↖																																
12:	10.2	←																																
13:	10.5	↘																																
14:	10.3	→																																
15:	10.5	←																																
16:	10.0	↗																																
17:	10.0	←																																
18:	10.7x	↗																																
19:	10.8x	↓																																
20:	10.0	↘																																
		<b>Serie</b> <b>100</b>																																
		<b>Total</b> <b>200</b>																																



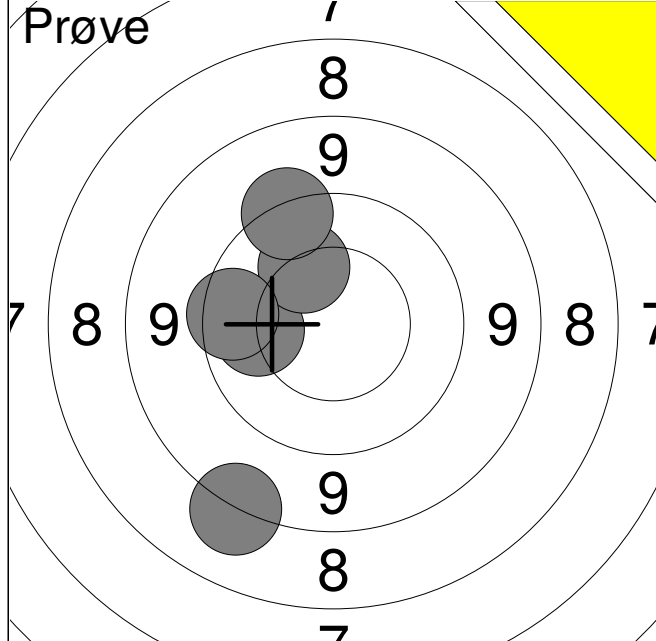
1:	9.8	↗
2:	9.0	↑
3:	9.6	↗
4:	9.9	↘
5:	10.4	↘
6:	10.8x	↑
7:	10.5	↗
8:	10.8x	↓
9:	10.6	↖
<b>Serie</b>		<b>86</b>
<b>Total</b>		<b>0</b>



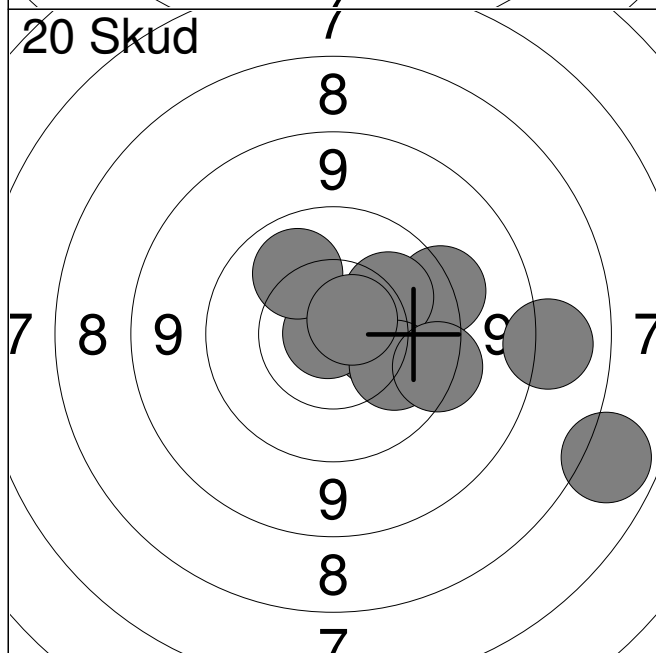
1:	10.3	←
2:	10.7x	→
3:	10.4	↗
4:	10.6	↑
5:	10.6	↑
6:	10.8x	↗
7:	10.8x	←
8:	10.3	↗
9:	10.2	←
10:	10.4	↑
<b>Serie</b>		<b>100</b>
<b>Total</b>		<b>100</b>



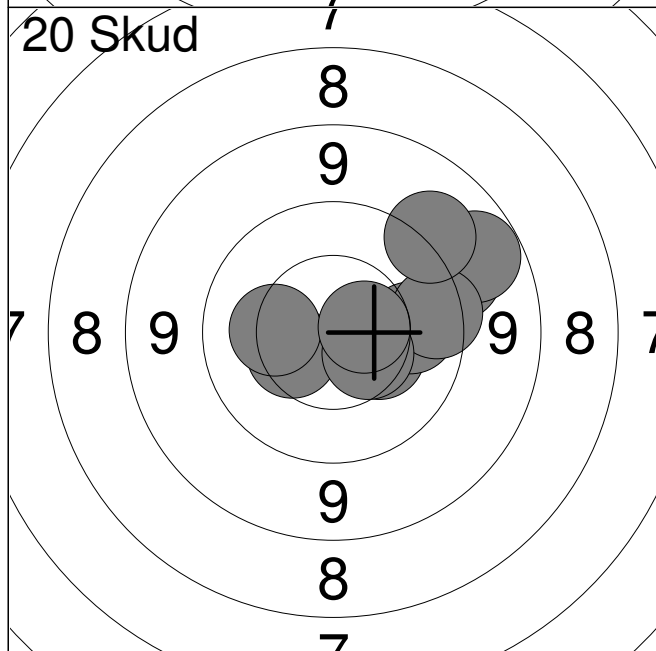
11:	10.4	↘
12:	10.3	↖
13:	10.7x	←
14:	10.3	↗
15:	10.5	↘
16:	10.7x	↓
17:	10.5	→
18:	10.6x	↗
19:	10.4	←
20:	10.3	↓
<b>Serie</b>		<b>100</b>
<b>Total</b>		<b>200</b>



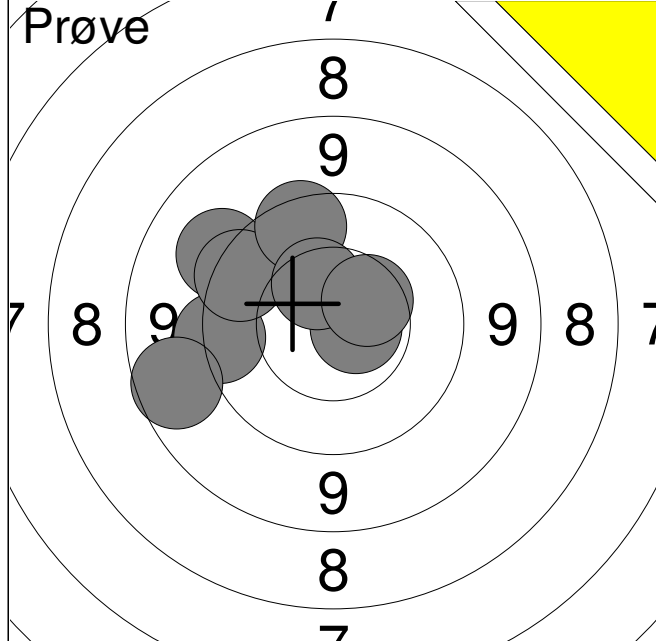
1:	8.3	↘
2:	10.1	←
3:	10.2	↗
4:	9.7	←
5:	9.5	↗
<b>Serie</b>	<b>46</b>	
<b>Total</b>	<b>0</b>	



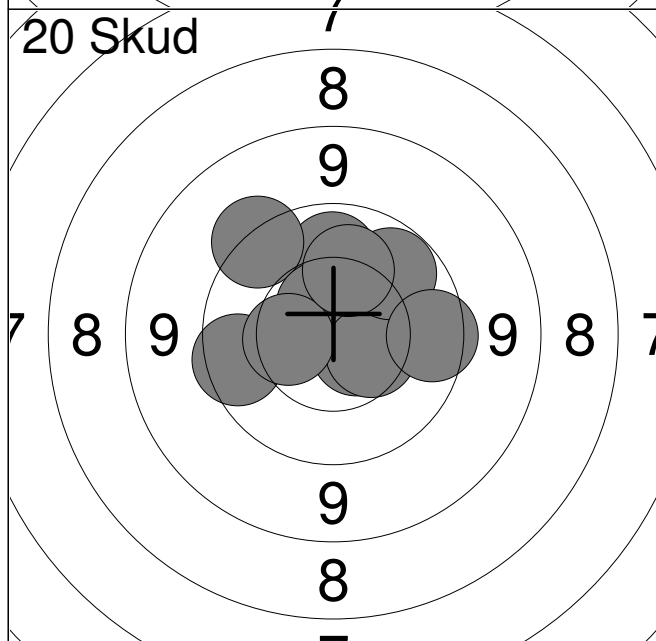
1:	10.4	→
2:	10.9x	←
3:	7.1	↘
4:	10.1	↗
5:	9.5	↗
6:	10.1	↗
7:	10.1	↘
8:	9.6	→
9:	10.7x	↗
10:	8.2	→
<b>Serie</b>	<b>93</b>	
<b>Total</b>	<b>93</b>	



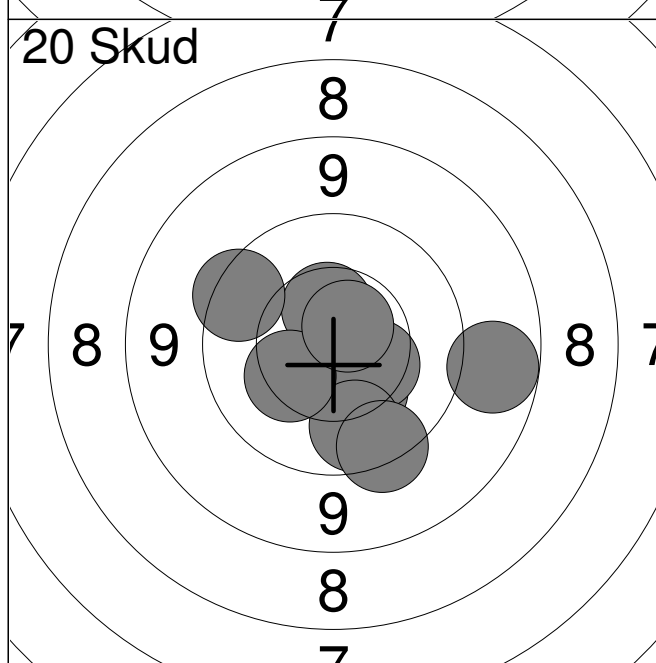
11:	10.3	↘
12:	9.3	↗
13:	10.0	→
14:	10.4	←
15:	9.0	↗
16:	9.7	→
17:	10.3	←
18:	9.3	↗
19:	10.5	↘
20:	10.6	→
<b>Serie</b>	<b>96</b>	
<b>Total</b>	<b>189</b>	



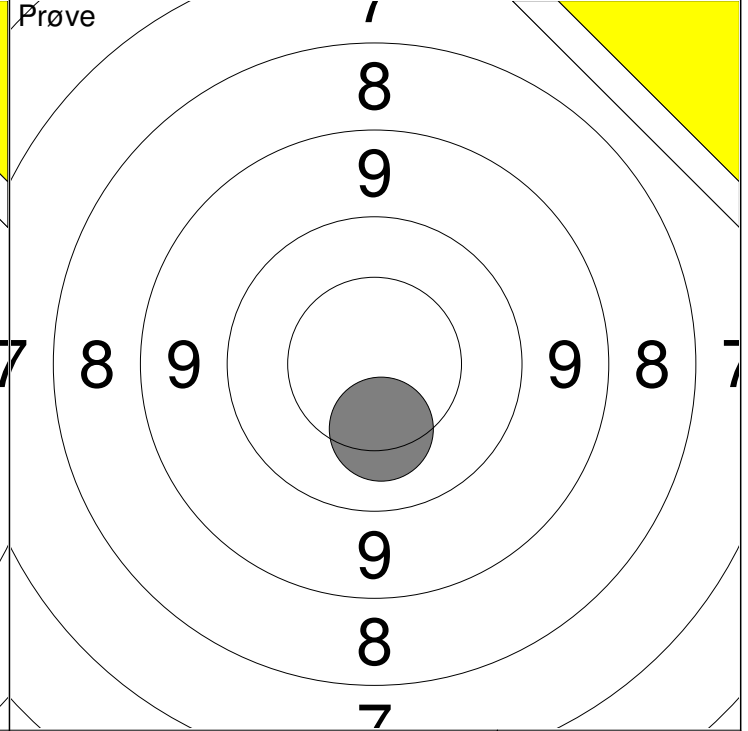
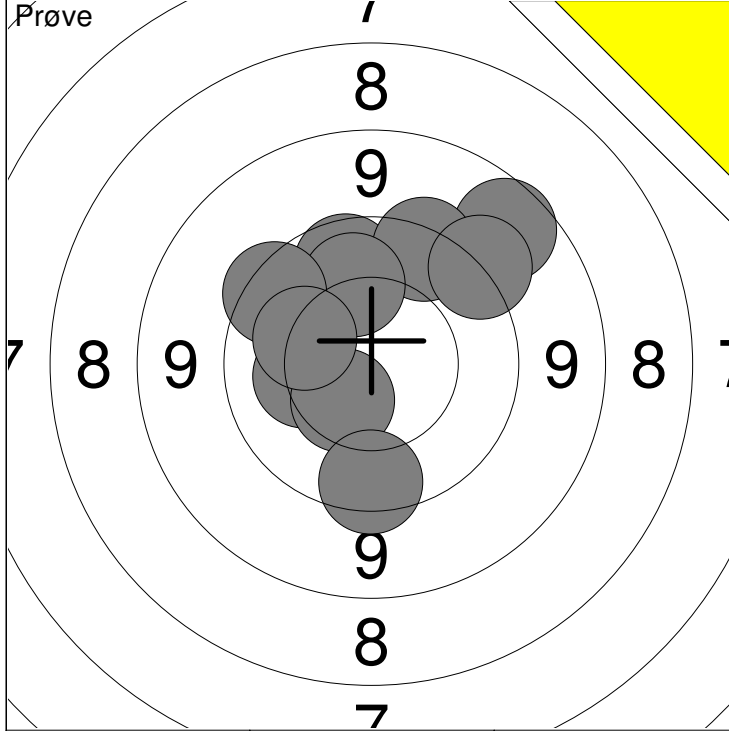
1:	9.6	←
2:	9.3	↗
3:	8.9	←
4:	9.7	↗
5:	9.7	↗
6:	10.7x	→
7:	10.4	↗
8:	10.5	↗
<b>Serie</b>		<b>74</b>
<b>Total</b>		<b>0</b>



1:	10.0	↑
2:	9.5	↗
3:	10.6x	↘
4:	10.6x	↗
5:	10.5	↘
6:	9.8	←
7:	10.4	←
8:	10.0	↗
9:	9.8	→
10:	10.2	↑
<b>Serie</b>		<b>97</b>
<b>Total</b>		<b>97</b>

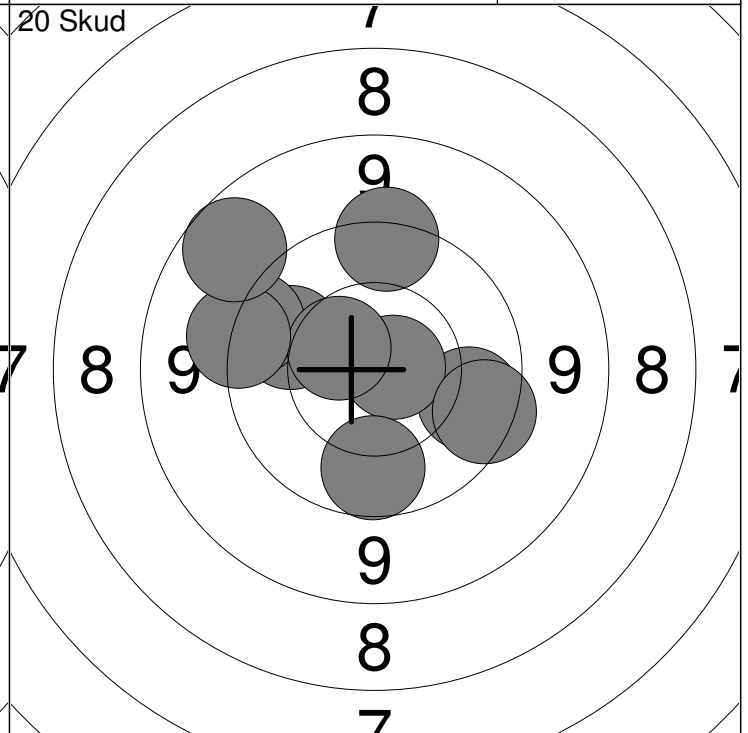
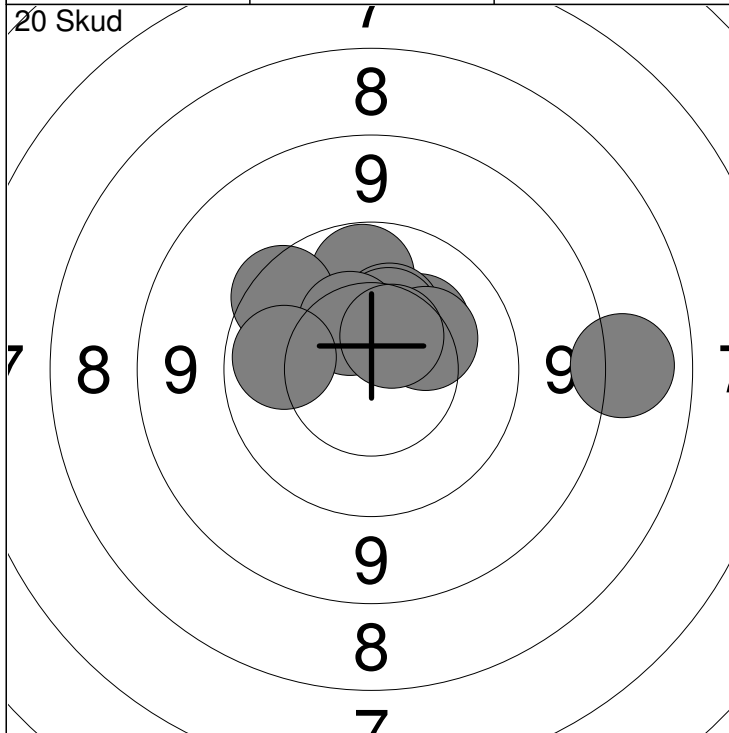


11:	9.0	→
12:	10.4	↘
13:	10.3	↘
14:	10.4	↘
15:	10.0	↘
16:	10.5	↗
17:	9.7	↗
18:	10.3	←
19:	10.7x	↗
20:	9.6	↘
<b>Serie</b>		<b>97</b>
<b>Total</b>		<b>194</b>



1: 10.2 ←	6: 9.6 ↗	Serie 93
2: 10.5 ↘	7: 9.4 ↗	
3: 9.7 ↓	8: 10.1 ↑	Total 0
4: 9.9 ↗	9: 9.7 ↖	
5: 8.9 ↗	10: 10.2 ←	

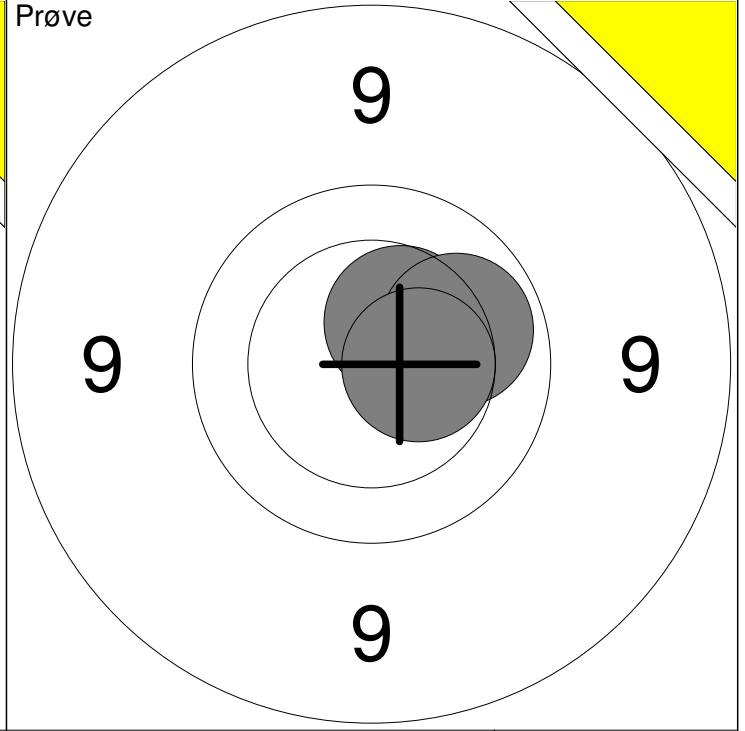
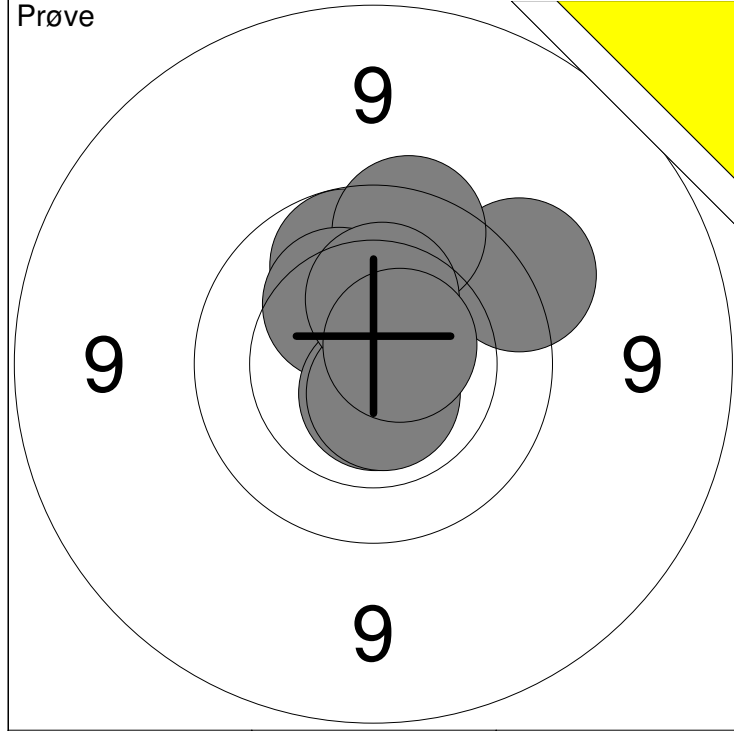
11: 10.3 ↓	Serie 10
	Total 0



1: 8.2 →	6: 10.4 ↗	Serie 97
2: 10.0 ↑	7: 10.4 ↖	
3: 9.7 ↖	8: 10.3 ↗	Total 97
4: 10.3 ↗	9: 10.0 ←	
5: 10.3 ↗	10: 10.5 ↗	

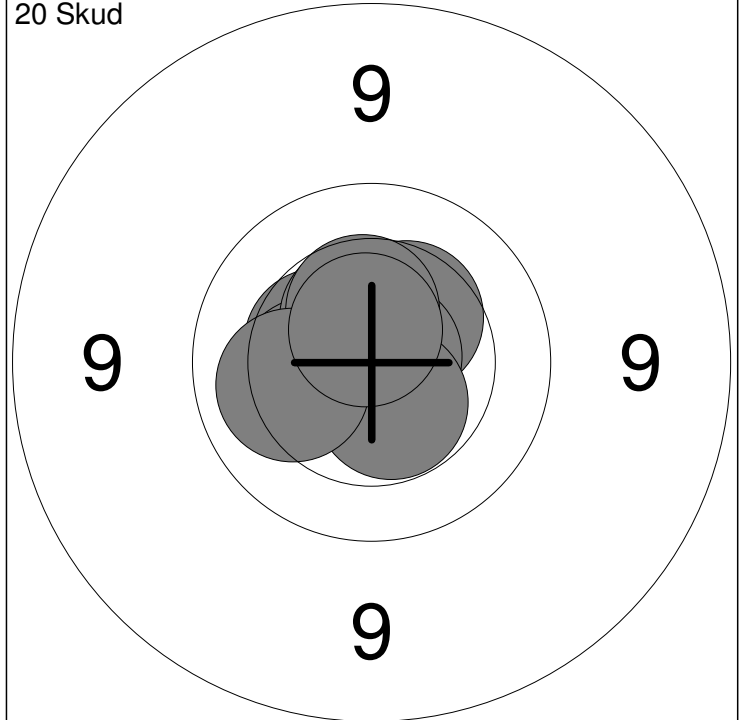
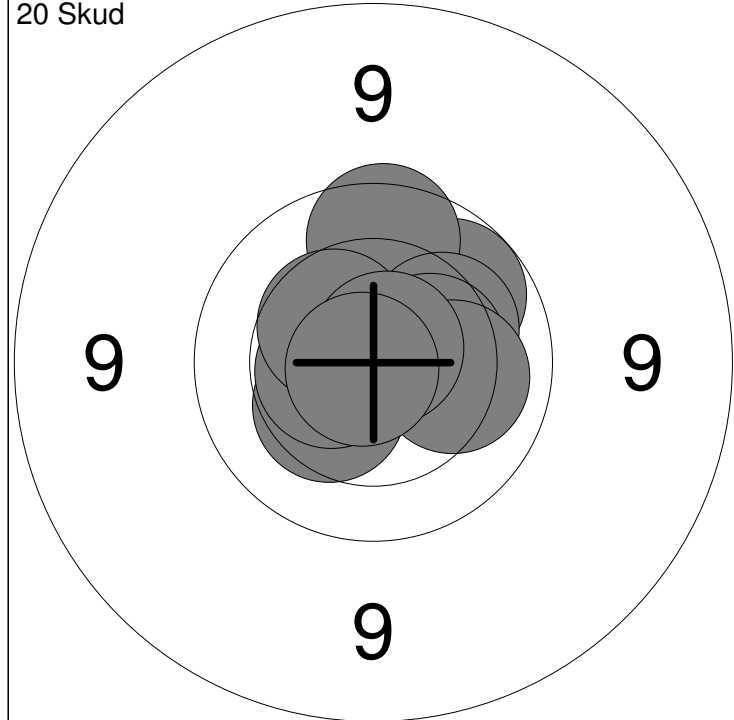
11: 10.0 ↖	16: 10.5 ↖	Serie 92
12: 9.9 →	17: 9.4 ↖	
13: 10.8x →	18: 9.5 ↑	Total 189
14: 9.6 ↖	19: 8.9 ↖	
15: 9.9 ↓	20: 9.7 →	





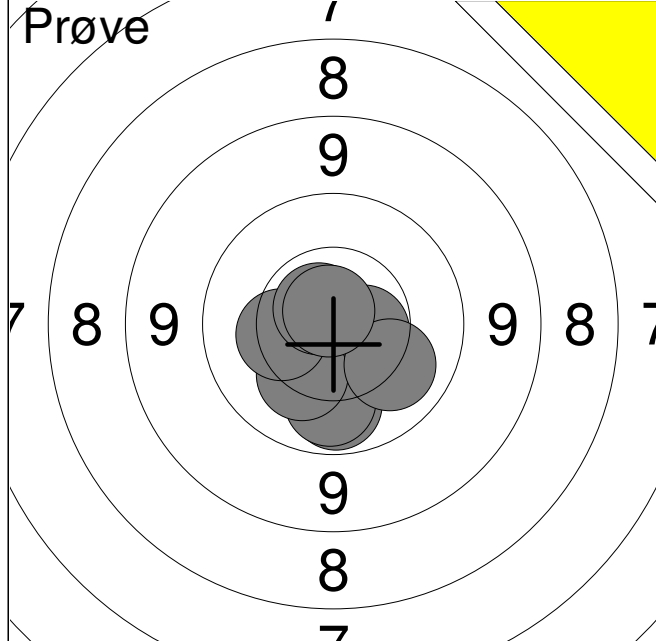
1: 9.6 ↗	6: 10.3 ↖	Serie	98
2: 10.1 ↑	7: 10.7x ↓		
3: 10.0 ↑	8: 10.6x ↓	Total	0
4: 9.8 ↑	9: 10.3 ↑		
5: 10.5x ↑	10: 10.6x ↗		

11: 10.4 ↗	Serie	30
12: 10.1 →		
13: 10.5 →	Total	0

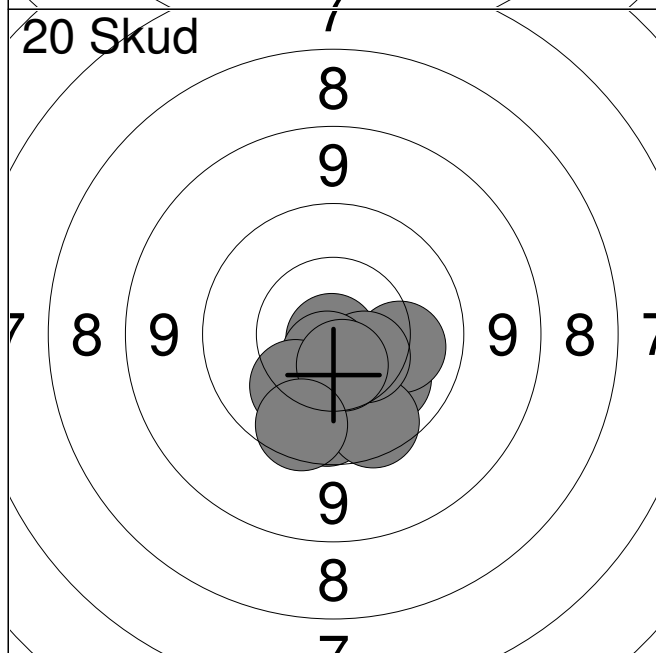


1: 10.0 ↗	6: 10.2 →	Serie	99
2: 10.4 ↙	7: 10.5x ←		
3: 9.8 ↑	8: 10.4 ↖	Total	99
4: 10.2 ↗	9: 10.8x ↗		
5: 10.4 →	10: 10.8x ←		

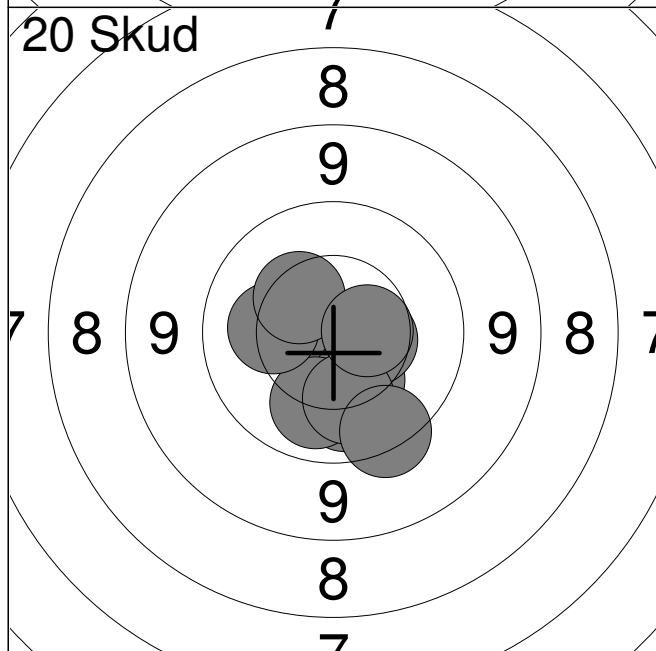
11: 10.5x ↖	16: 10.5x ↖	Serie	100
12: 10.4 ←	17: 10.5x ↓		
13: 10.4 ↗	18: 10.4 ↑	Total	199
14: 10.8x ↗	19: 10.1 ←		
15: 10.4 ←	20: 10.6x ↑		



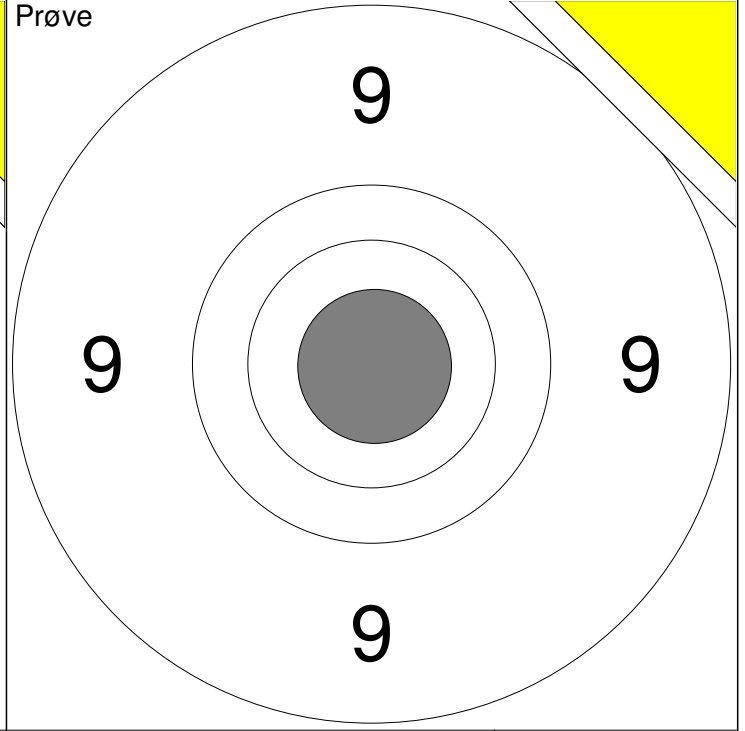
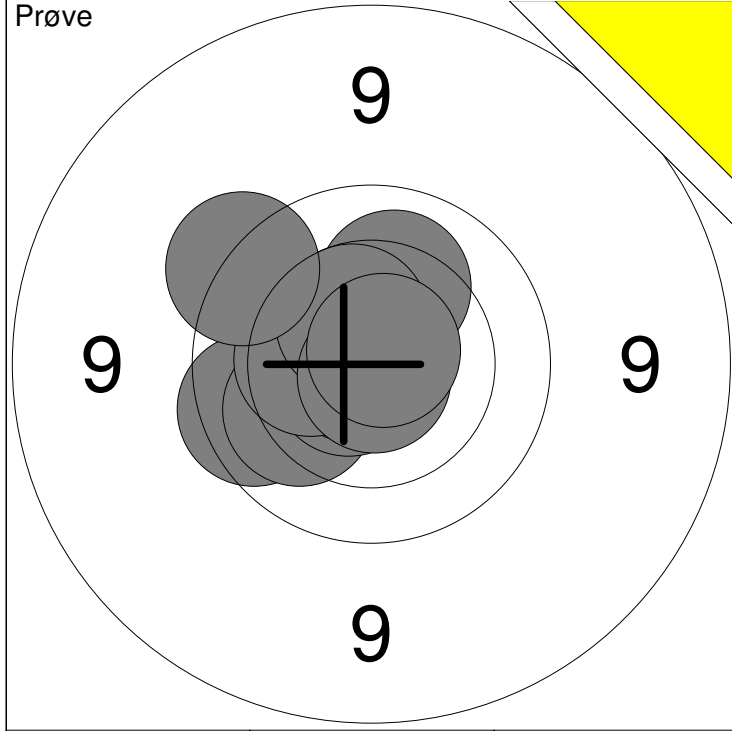
1:	10.0	↓
2:	10.6	→
3:	10.0	↓
4:	10.2	↙
5:	10.3	←
6:	10.7x	↗
7:	10.1	↘
8:	10.8x	↗
<b>Serie</b>		<b>80</b>
<b>Total</b>		<b>0</b>



1:	10.1	↘
2:	10.1	→
3:	10.9x	↓
4:	9.9	↓
5:	9.8	↘
6:	10.5	↘
7:	10.7x	↓
8:	10.2	↘
9:	10.6	↓
10:	9.8	↘
<b>Serie</b>		<b>97</b>
<b>Total</b>		<b>97</b>

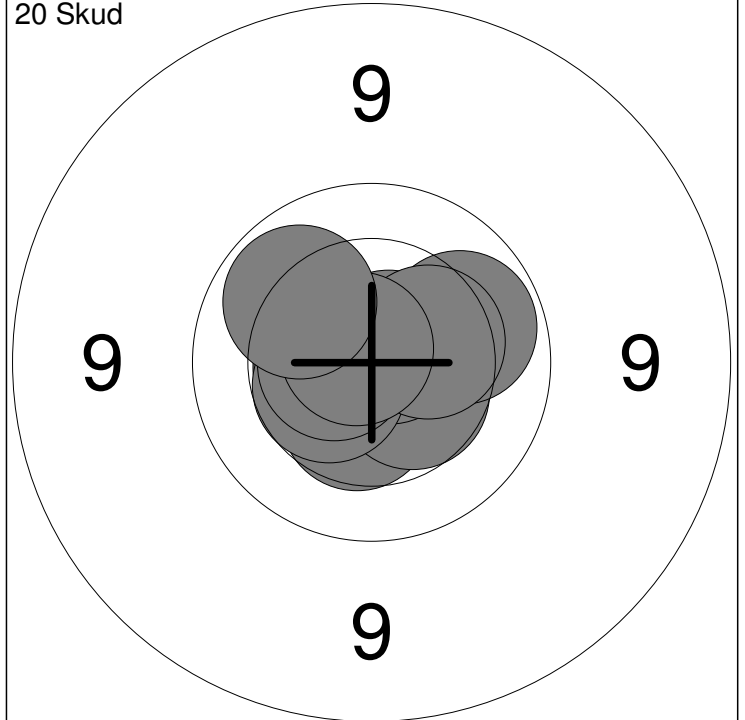
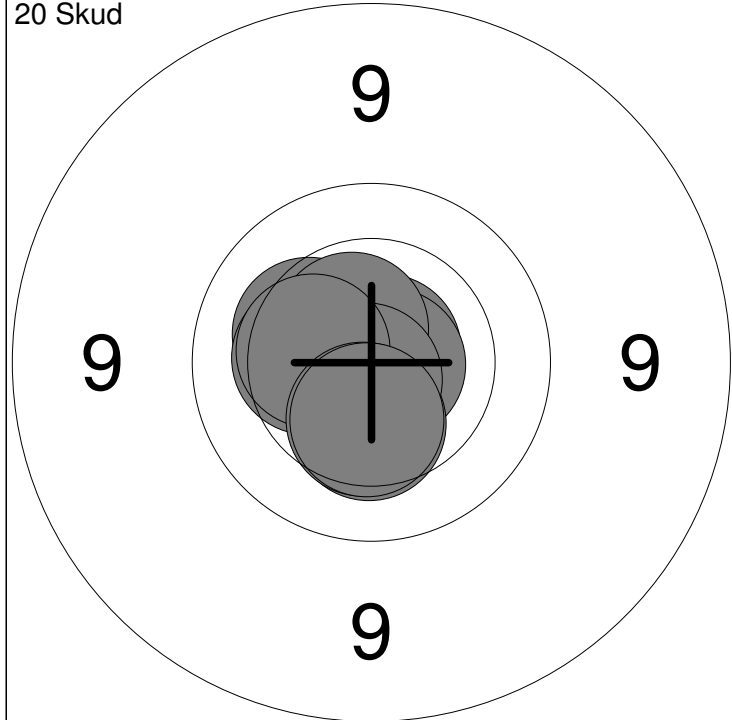


11:	10.5	↓
12:	10.3	↘
13:	10.1	↓
14:	10.1	↘
15:	10.2	←
16:	10.4	↗
17:	10.5	→
18:	10.2	↓
19:	9.6	↘
20:	10.5	→
<b>Serie</b>		<b>99</b>
<b>Total</b>		<b>196</b>



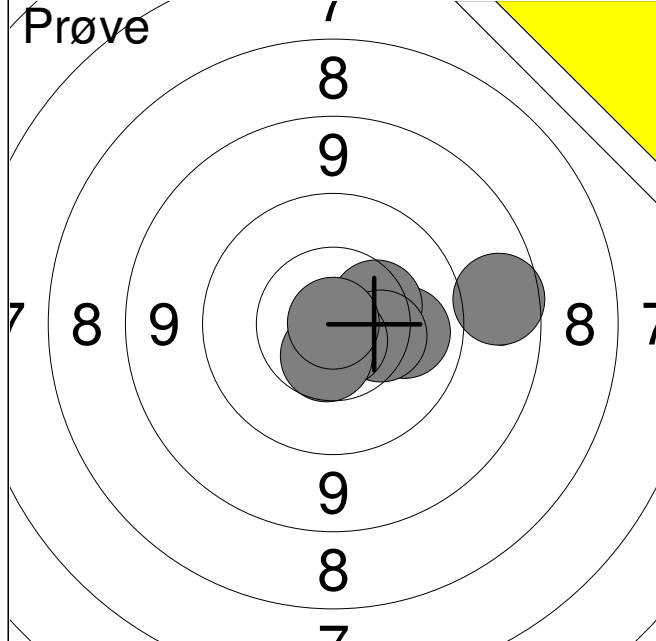
1: 9.8 ←	6: 10.4 ←	Serie 98
2: 10.1 ↙	7: 10.5 ↗	
3: 10.7x ↙	8: 10.8x ↓	Total 0
4: 10.8x ←	9: 9.6 ↖	
5: 10.2 ↗	10: 10.8x ↗	

11: 10.9x ⇒	Serie 10
	Total 0

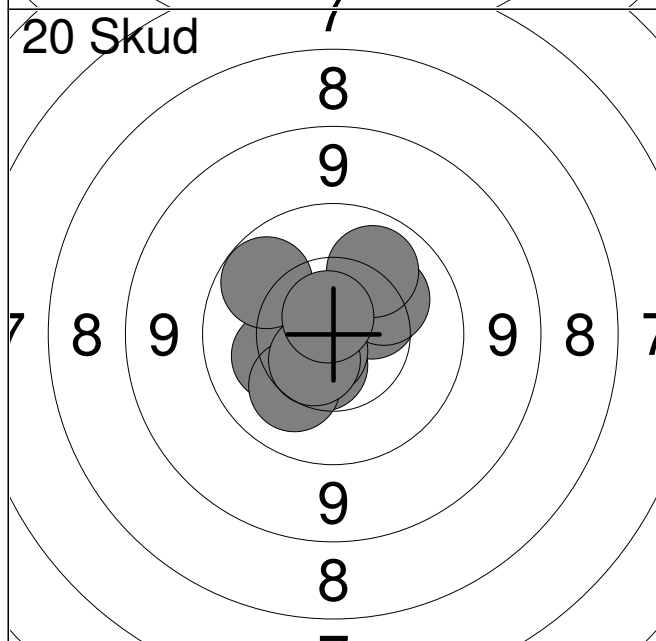


1: 10.8x ↗	6: 10.3 ←	Serie 100
2: 10.3 ↖	7: 10.8x ↓	
3: 10.8x →	8: 10.4 ←	Total 100
4: 10.3 ↓	9: 10.4 ↓	
5: 10.6x ↗	10: 10.4 ↓	

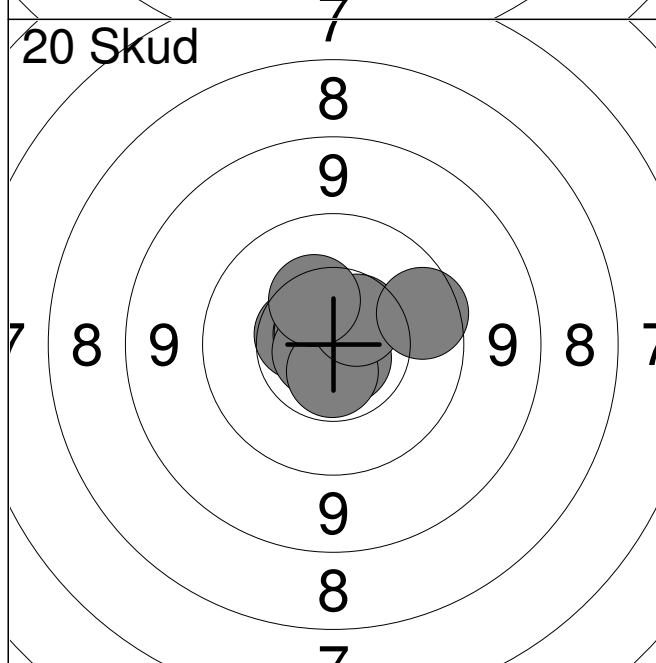
11: 10.4 ↓	16: 10.5 ←	Serie 100
12: 10.5x ←	17: 10.6x ←	
13: 10.5 ↘	18: 10.4 →	Total 200
14: 10.0 →	19: 10.7x ↖	
15: 10.7x ↗	20: 10.0 ↖	



1:	8.9	→
2:	10.1	→
3:	10.4	→
4:	10.4	→
5:	10.7x	↓
6:	10.6	↓
7:	10.9x	↑
<b>Serie</b>		<b>68</b>
<b>Total</b>		<b>0</b>

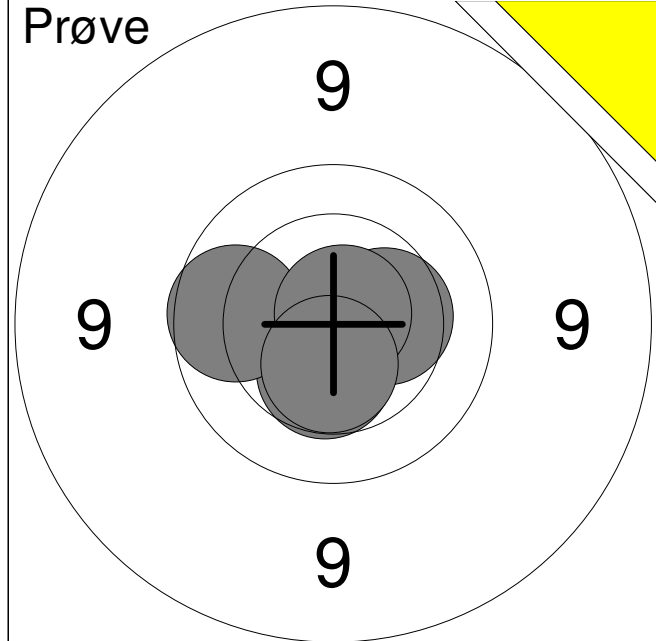


1:	10.2	←
2:	10.4	↗
3:	10.2	↗
4:	10.1	↗
5:	10.6	↓
6:	10.7x	↓
7:	10.2	↓
8:	10.6	↓
9:	10.0	↖
10:	10.7x	↑
<b>Serie</b>		<b>100</b>
<b>Total</b>		<b>100</b>

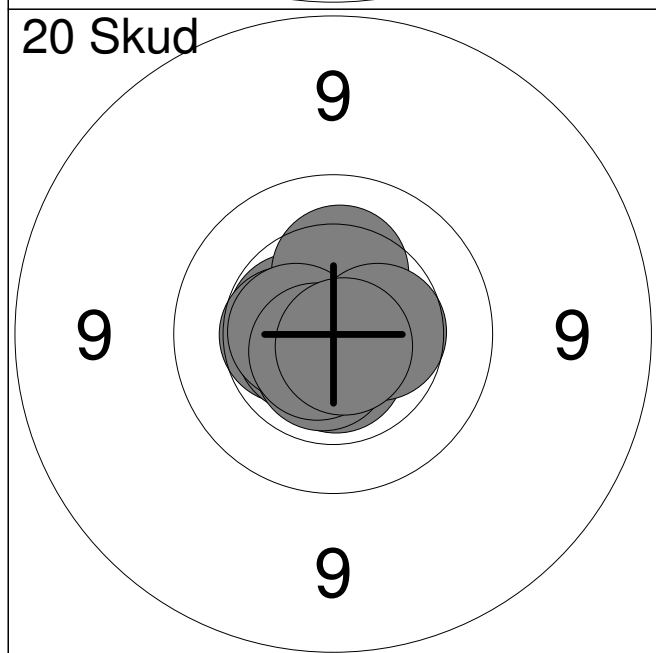


11:	10.5	←
12:	10.7x	↖
13:	10.8x	↗
14:	10.7x	↓
15:	10.7x	↖
16:	10.7x	←
17:	10.6x	↓
18:	10.6	↗
19:	9.8	→
20:	10.4	↑
<b>Serie</b>		<b>99</b>
<b>Total</b>		<b>199</b>

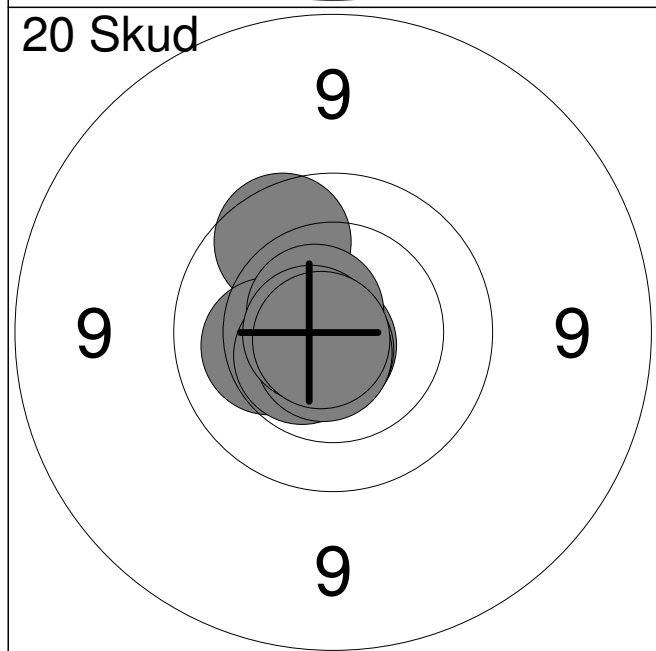
Hold	Skive	Thomas Grøn Bendixen		
97	6	Aalborg	Hjørring Skytteforening	MJ1
15.02.2018	Jyllandsstævnet	Aalborg Skyttekreds		
Prøve		1:	10.6x	↖
		2:	10.5	↑
		3:	10.8x	↙
		4:	10.7x	↑
		5:	10.6x	↗
		Serie	50	
		Total	0	
20 Skud		1:	10.4	↑
		2:	10.8x	↗
		3:	10.4	↙
		4:	10.3	↓
		5:	10.3	↑
		6:	10.7x	↗
		7:	10.4	↑
		8:	10.8x	↑
		9:	10.4	↘
		10:	10.5	↗
		Serie	100	
		Total	100	
20 Skud		11:	10.7x	↙
		12:	10.7x	→
		13:	10.3	↙
		14:	10.9x	↗
		15:	10.6x	↗
		16:	10.7x	↙
		17:	10.8x	↙
		18:	10.6x	↙
		19:	10.9x	↑
		20:	10.4	→
		Serie	100	
		Total	200	



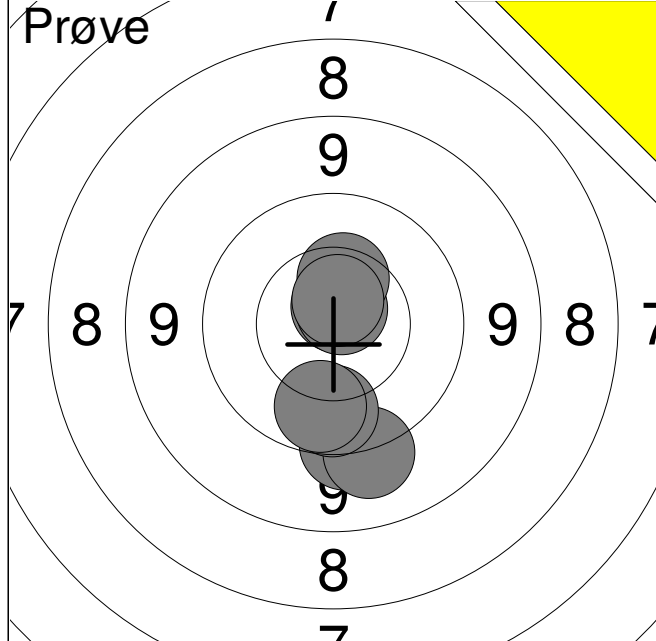
1:	10.4	↓
2:	10.4	→
3:	9.9	←
4:	10.8x	↗
5:	10.5x	↓
<b>Serie</b>		<b>49</b>
<b>Total</b>		<b>0</b>



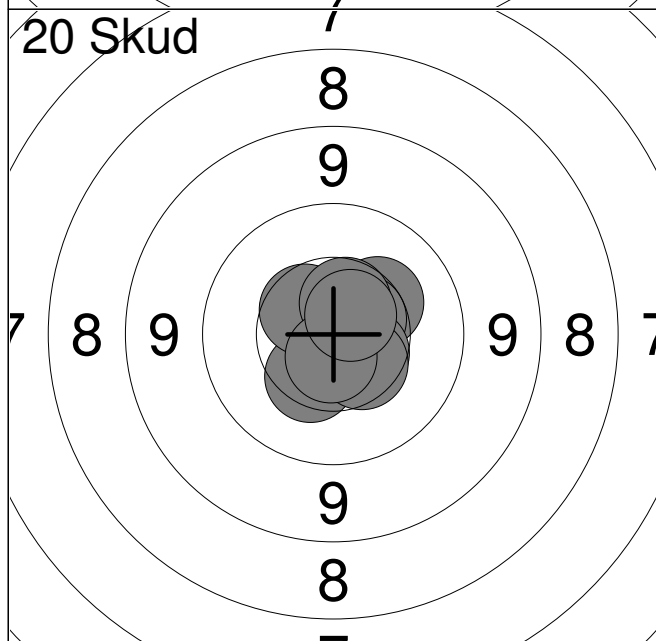
1:	10.5x	←
2:	10.3	↑
3:	10.4	←
4:	10.6x	↓
5:	10.6x	←
6:	10.6x	↓
7:	10.5x	←
8:	10.5	→
9:	10.7x	↙
10:	10.8x	↘
<b>Serie</b>		<b>100</b>
<b>Total</b>		<b>100</b>



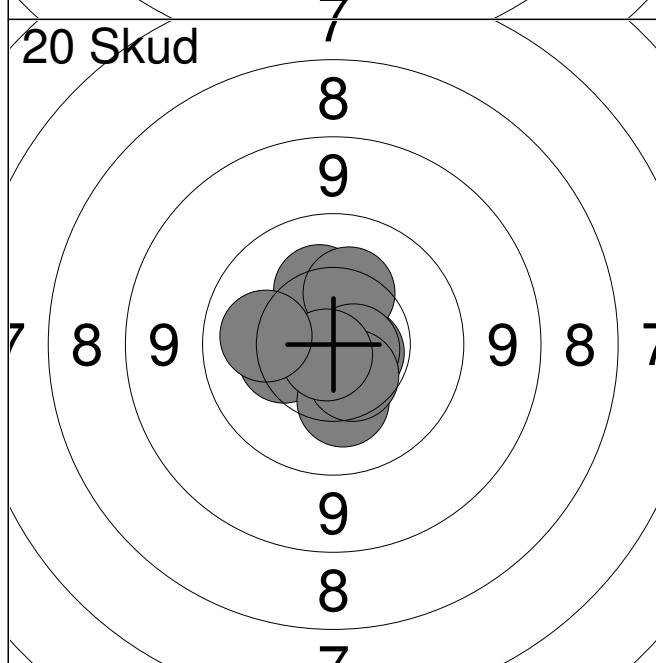
11:	9.9	↗
12:	10.6x	←
13:	10.8x	↓
14:	10.2	←
15:	10.7x	↓
16:	10.7x	↗
17:	10.5x	←
18:	10.7x	↓
19:	10.7x	←
20:	10.8x	↙
<b>Serie</b>		<b>99</b>
<b>Total</b>		<b>199</b>



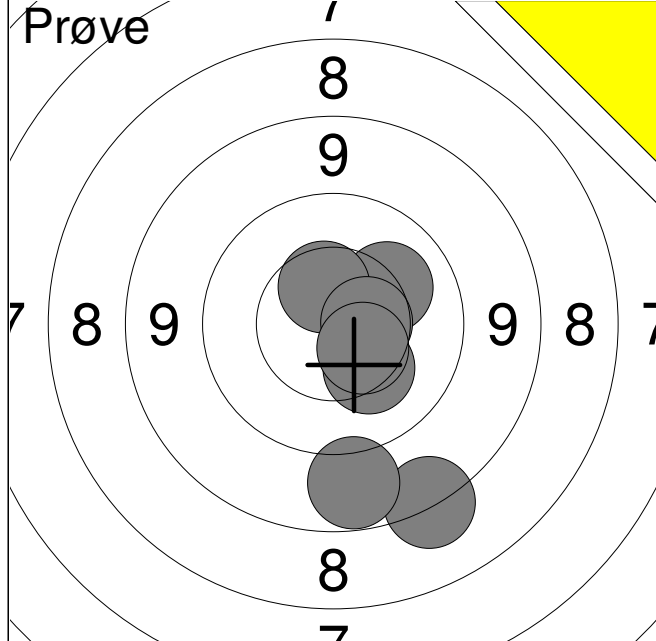
1:	9.5	↓
2:	9.3	↓
3:	9.9	↓
4:	10.0	↓
5:	10.7x	↑
6:	10.7x	↗
7:	10.4	↑
8:	10.7x	↑
<b>Serie</b>		<b>77</b>
<b>Total</b>		<b>0</b>



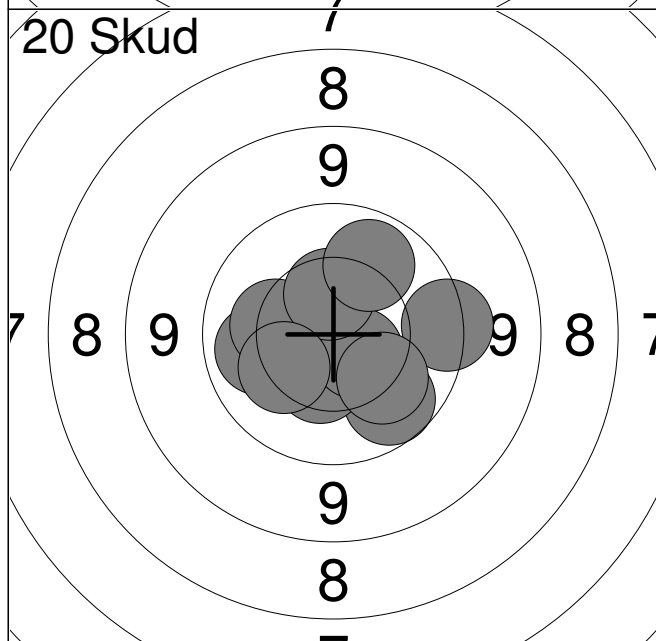
1:	10.4	↘
2:	10.3	↗
3:	10.7x	↘
4:	10.6	↗
5:	10.5	↗
6:	10.5	↘
7:	10.5	↘
8:	10.6	↑
9:	10.7x	↓
10:	10.6x	↗
<b>Serie</b>		<b>100</b>
<b>Total</b>		<b>100</b>



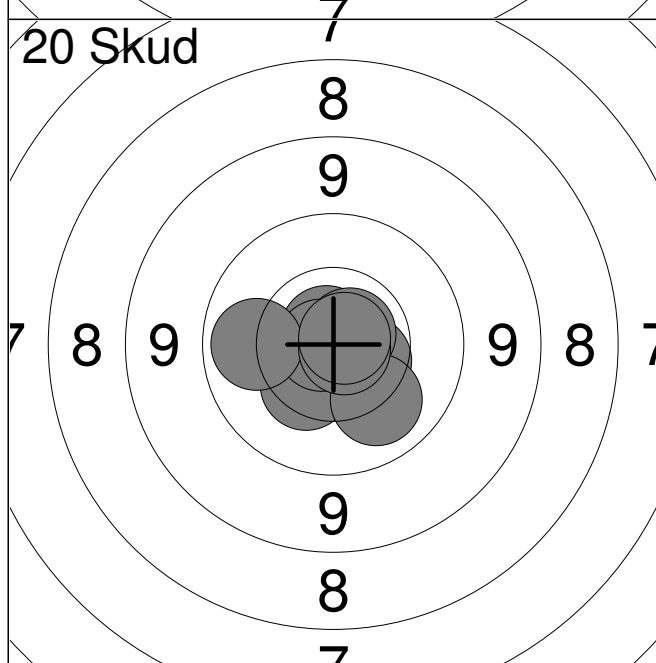
11:	10.3	↑
12:	10.6x	↓
13:	10.3	←
14:	10.6x	→
15:	10.3	↑
16:	10.7x	→
17:	10.3	↓
18:	10.5	↓
19:	10.8x	↘
20:	10.1	←
<b>Serie</b>		<b>100</b>
<b>Total</b>		<b>200</b>



1:	8.4	↘
2:	9.0	↘
3:	10.3	↘
4:	10.2	↗
5:	10.5	↗
6:	10.6	→
7:	10.5	↘
<b>Serie</b>		<b>67</b>
<b>Total</b>		<b>0</b>

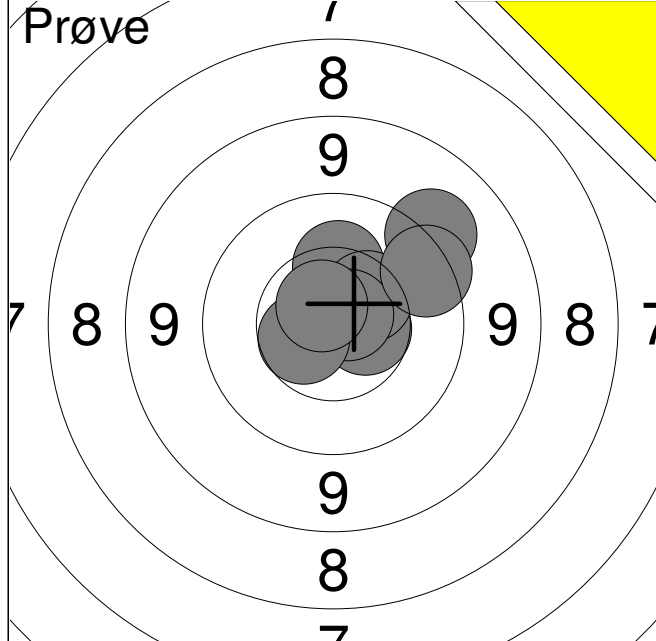


1:	9.9	↘
2:	10.1	←
3:	10.3	←
4:	10.4	↘
5:	9.6	→
6:	10.6x	↘
7:	10.5	↗
8:	10.2	←
9:	10.0	↗
10:	10.2	↘
<b>Serie</b>		<b>98</b>
<b>Total</b>		<b>98</b>

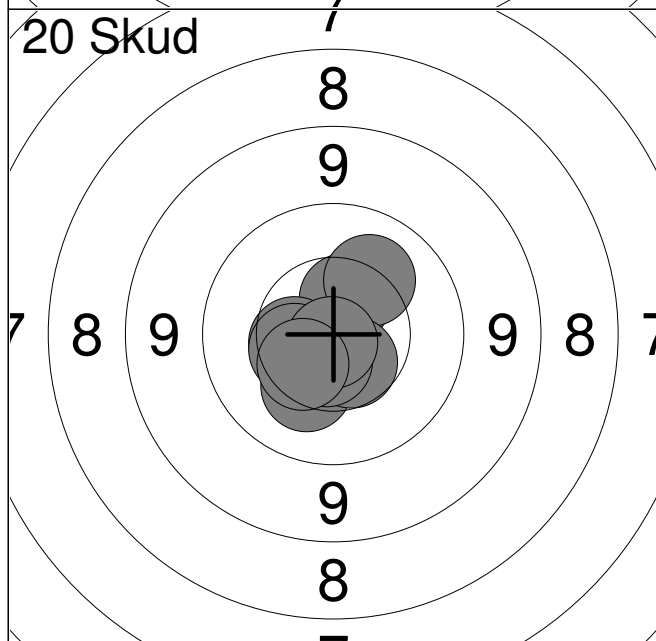


11:	10.9x	↘
12:	10.4	↘
13:	10.8x	↗
14:	10.5	↘
15:	10.7x	↗
16:	10.8x	←
17:	10.1	↘
18:	10.0	←
19:	10.8x	↘
20:	10.8x	↗
<b>Serie</b>		<b>100</b>
<b>Total</b>		<b>198</b>

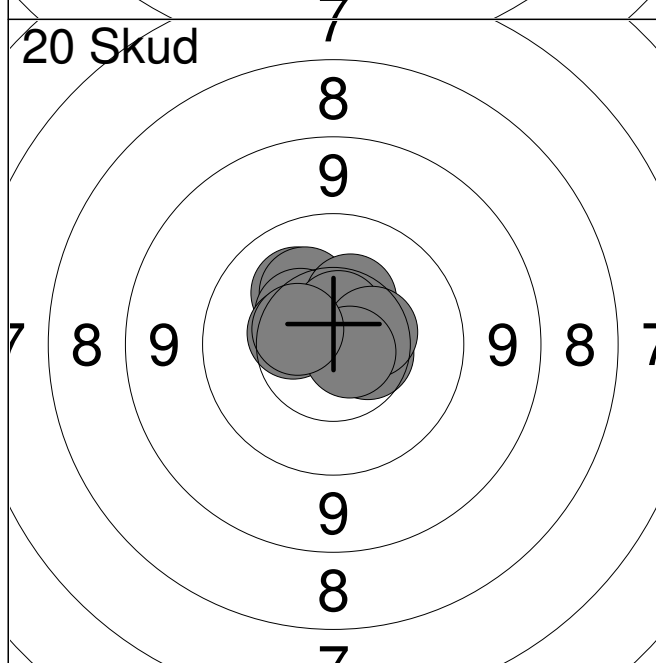




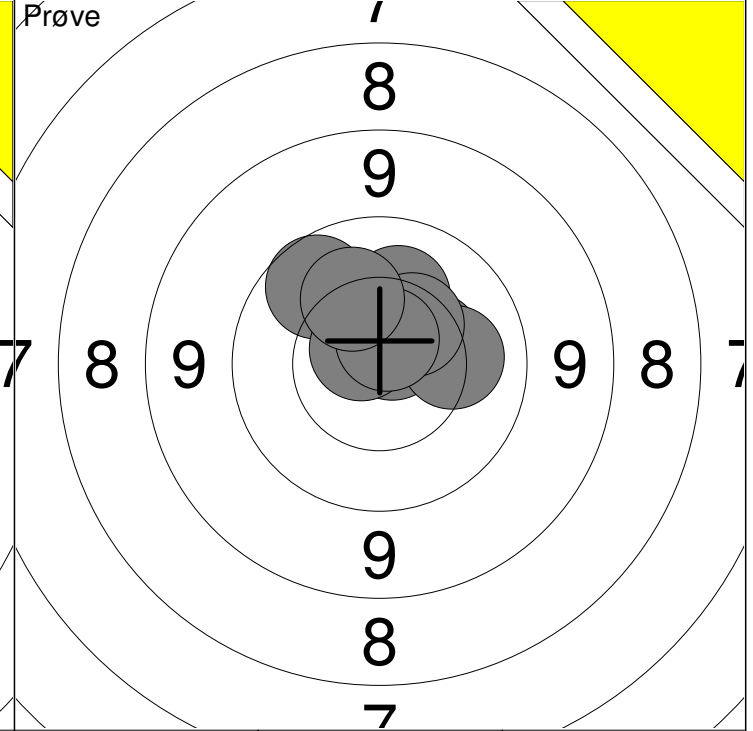
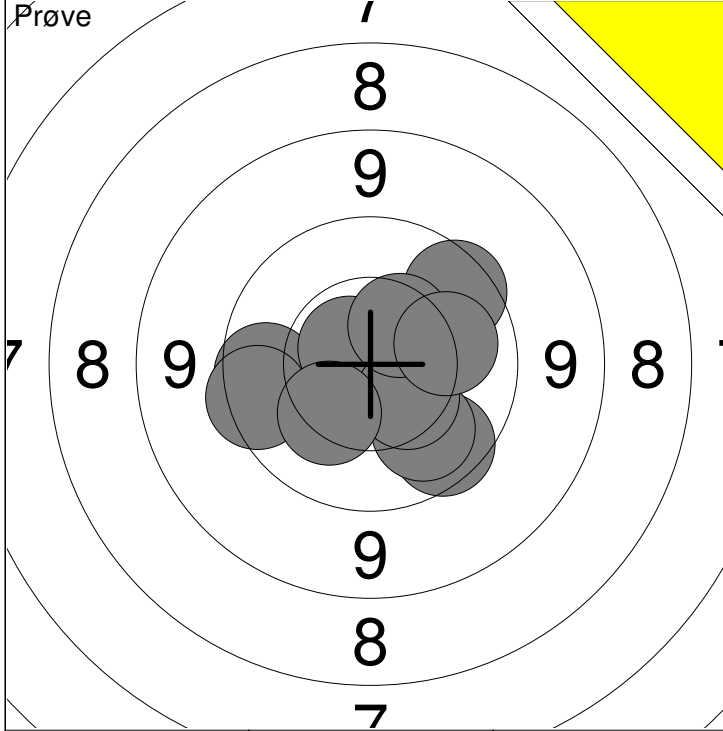
1:	9.3	↗
2:	10.6	→
3:	10.3	↑
4:	10.4	↗
5:	10.7x	↗
6:	9.7	↗
7:	10.6	←
8:	10.7x	↖
<b>Serie</b>	<b>78</b>	
<b>Total</b>	<b>0</b>	



1:	10.5	↑
2:	10.3	↓
3:	10.5	←
4:	10.2	↗
5:	10.6	↓
6:	10.7x	↓
7:	10.6x	↓
8:	10.5	←
9:	10.8x	↓
10:	10.4	↙
<b>Serie</b>	<b>100</b>	
<b>Total</b>	<b>100</b>	

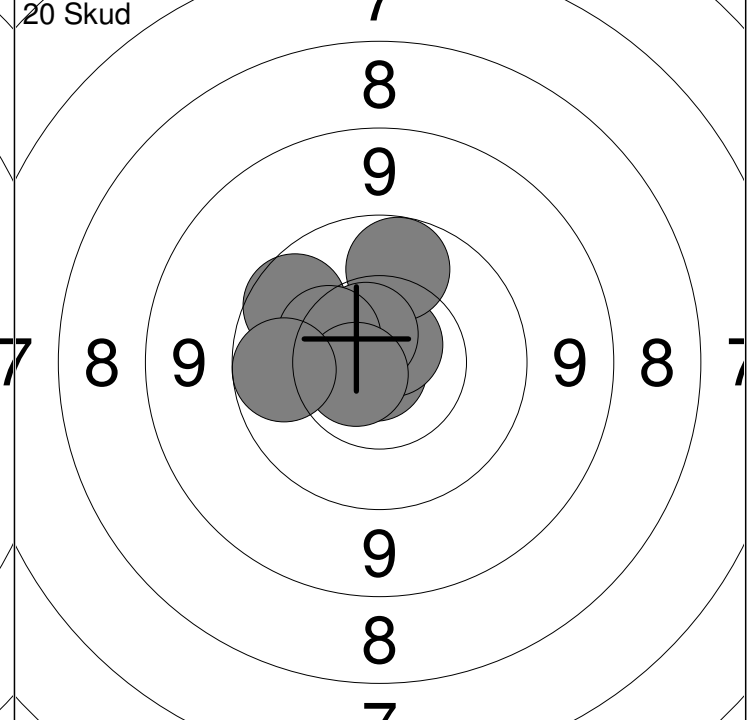
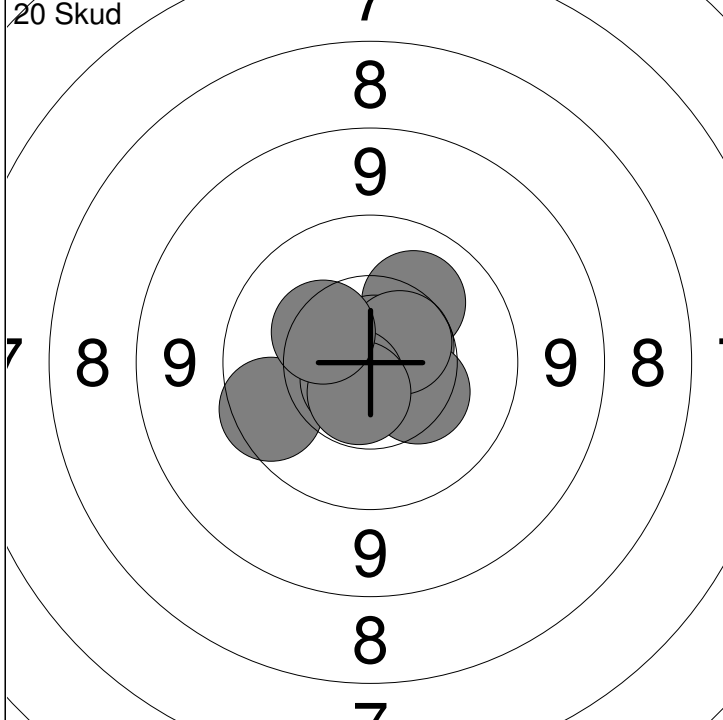


11:	10.2	↗
12:	10.3	↗
13:	10.4	↗
14:	10.4	↗
15:	10.5	→
16:	10.5	←
17:	10.6x	↑
18:	10.5	→
19:	10.7x	↘
20:	10.5	←
<b>Serie</b>	<b>100</b>	
<b>Total</b>	<b>200</b>	



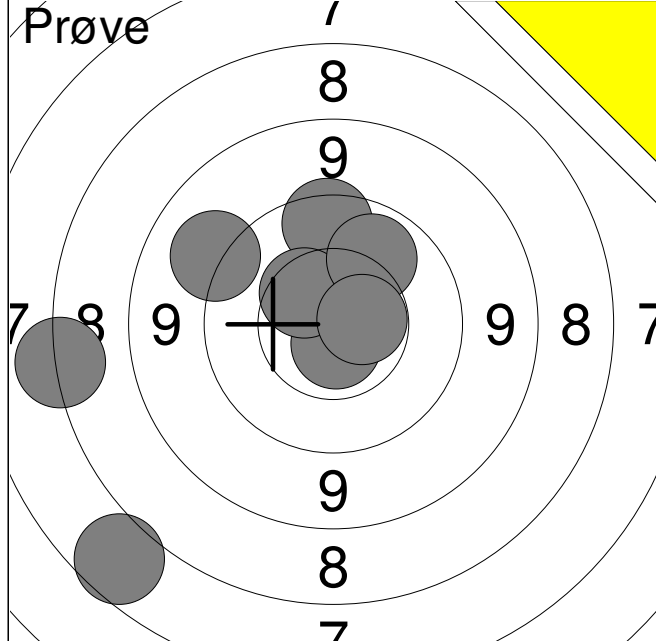
1: 9.8 ←	6: 10.4 ↘	Serie 96
2: 9.7 ←	7: 9.8 ↗	
3: 10.7x ↗	8: 10.4 ↗	Total 0
4: 9.8 ↘	9: 10.1 →	
5: 10.1 ↘	10: 10.3 ↙	

11: 10.4 →	16: 10.7x ↖	Serie 99
12: 10.7x ↗	17: 10.2 ↑	
13: 9.9 ↖	18: 10.4 ↗	Total 0
14: 10.3 ↑	19: 10.7x ↑	
15: 10.2 →	20: 10.2 ↖	

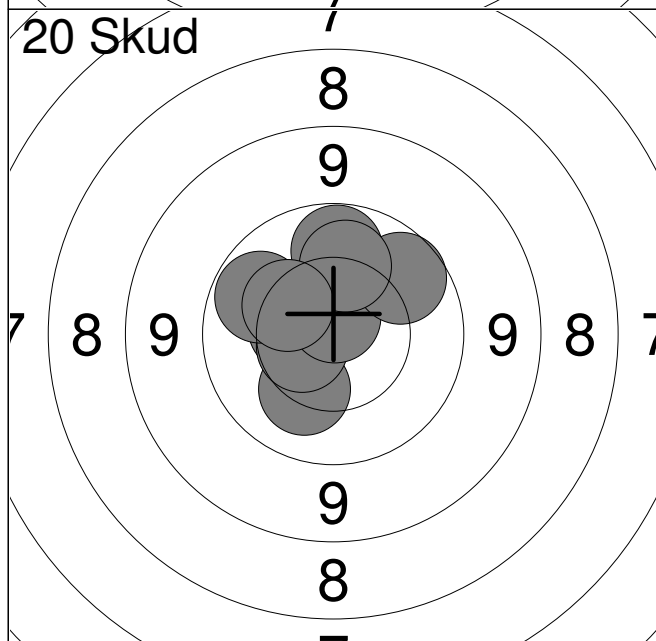


1: 9.8 ←	6: 10.4 ↘	Serie 99
2: 10.2 ↗	7: 10.6 ↗	
3: 10.6x ↘	8: 10.7x ↙	Total 99
4: 10.8x ↑	9: 10.6x ↘	
5: 10.6 ↗	10: 10.4 ↖	

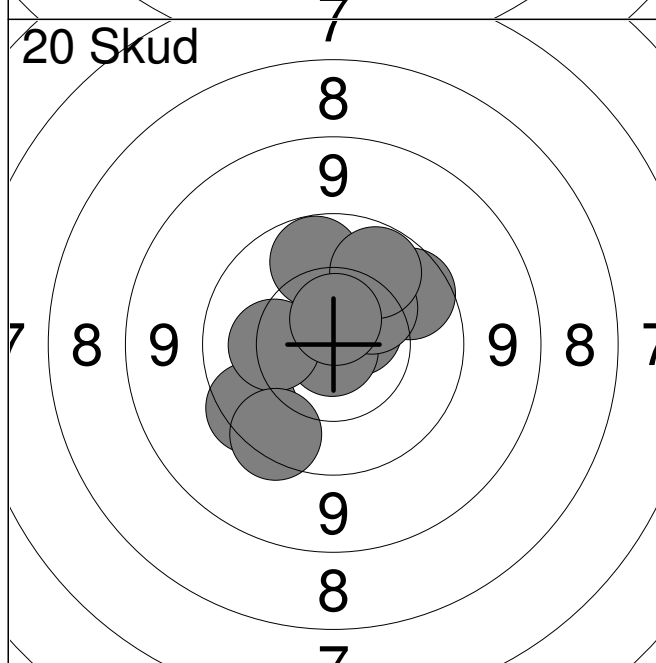
11: 10.6x ↑	16: 10.3 ←	Serie 98
12: 10.9x ↘	17: 9.9 ↖	
13: 10.7x ↗	18: 10.4 ↖	Total 197
14: 10.0 ↑	19: 10.7x ↖	
15: 10.6x ↖	20: 9.9 ←	



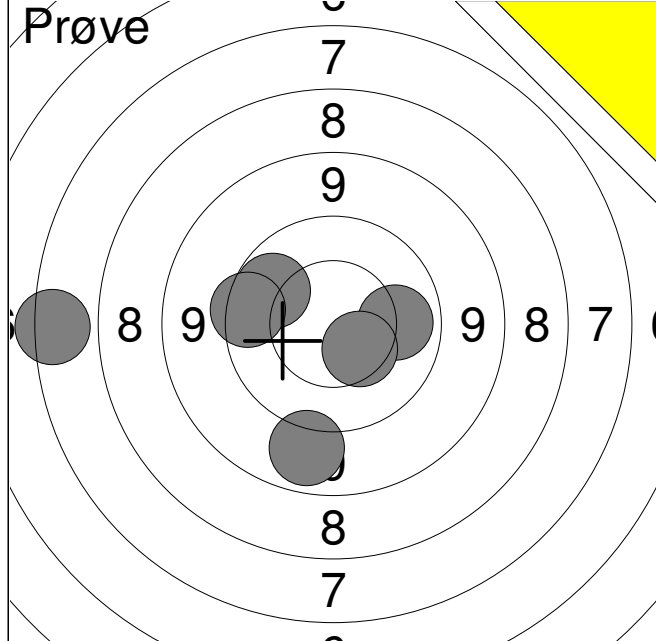
1:	6.9	↘
2:	7.4	←
3:	9.3	↖
4:	10.1	↑
5:	9.7	↑
6:	10.7x	↓
7:	10.4	↗
8:	10.0	↗
9:	10.6x	→
<b>Serie</b>		<b>81</b>
<b>Total</b>		<b>0</b>



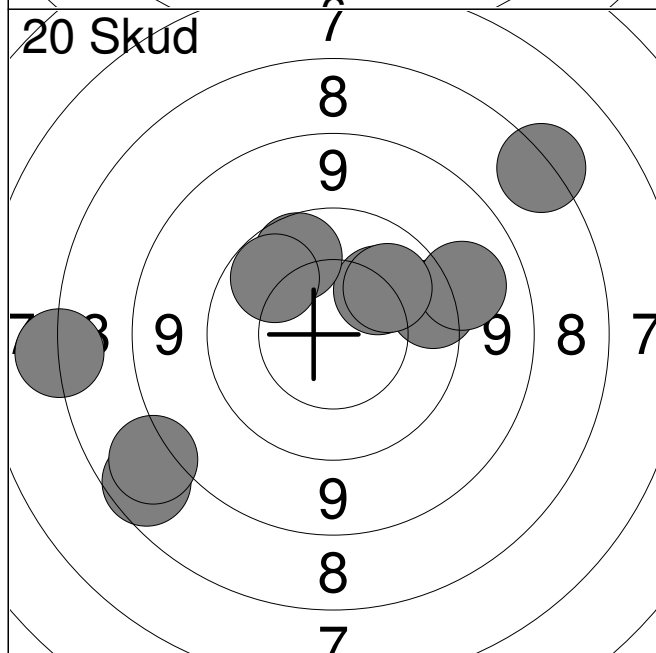
1:	10.5	←
2:	10.5	↖
3:	10.2	↓
4:	10.6	←
5:	10.7x	↑
6:	10.0	↑
7:	10.0	↖
8:	9.9	↗
9:	10.1	↑
10:	10.3	↖
<b>Serie</b>		<b>99</b>
<b>Total</b>		<b>99</b>



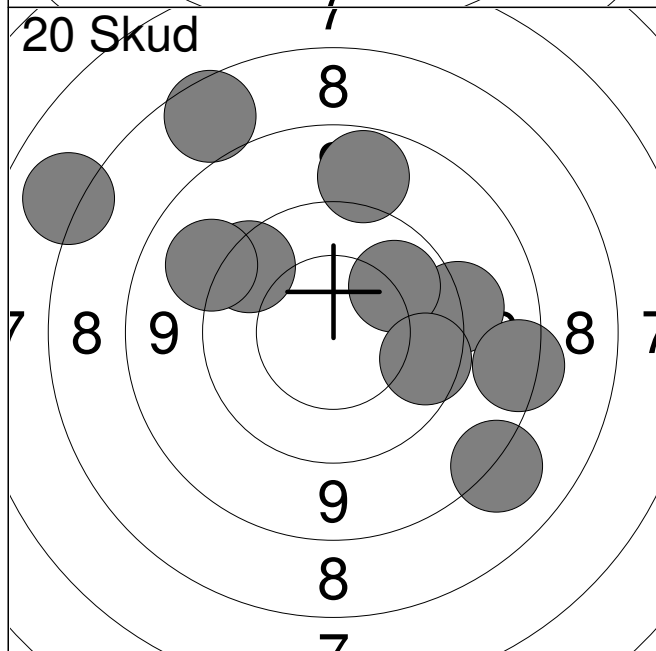
11:	10.6x	↗
12:	10.9x	↓
13:	10.0	↑
14:	9.7	↖
15:	10.3	←
16:	9.9	↗
17:	9.7	↓
18:	10.3	↗
19:	10.0	↗
20:	10.7x	↑
<b>Serie</b>		<b>97</b>
<b>Total</b>		<b>196</b>



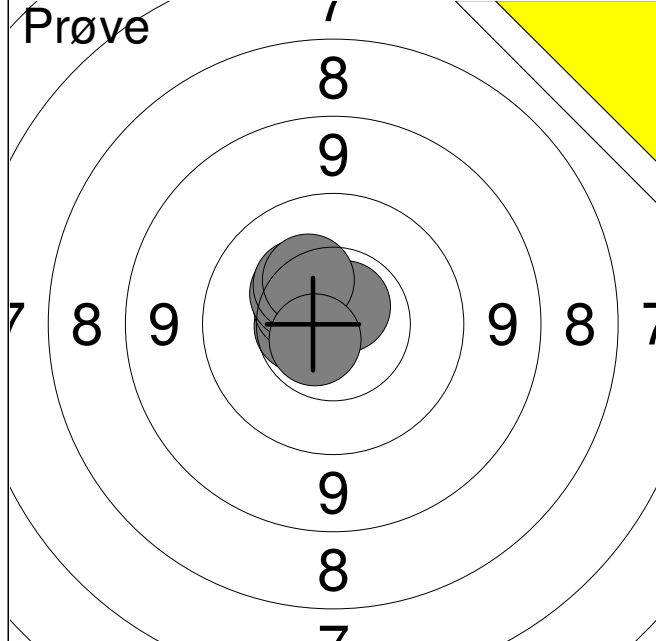
1:	6.6	←
2:	10.0	↗
3:	9.0	↓
4:	10.1	→
5:	9.7	←
6:	10.4	↘
<b>Serie</b>		<b>54</b>
<b>Total</b>		<b>0</b>



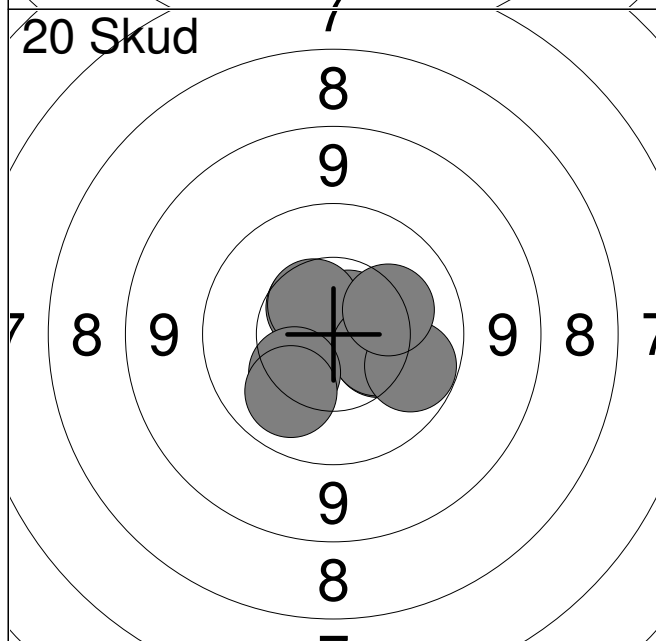
1:	9.7	→
2:	9.2	→
3:	7.4	←
4:	10.2	↗
5:	7.5	↗
6:	9.9	↑
7:	7.9	↙
8:	10.1	↗
9:	10.0	↗
10:	8.1	↙
<b>Serie</b>		<b>86</b>
<b>Total</b>		<b>86</b>



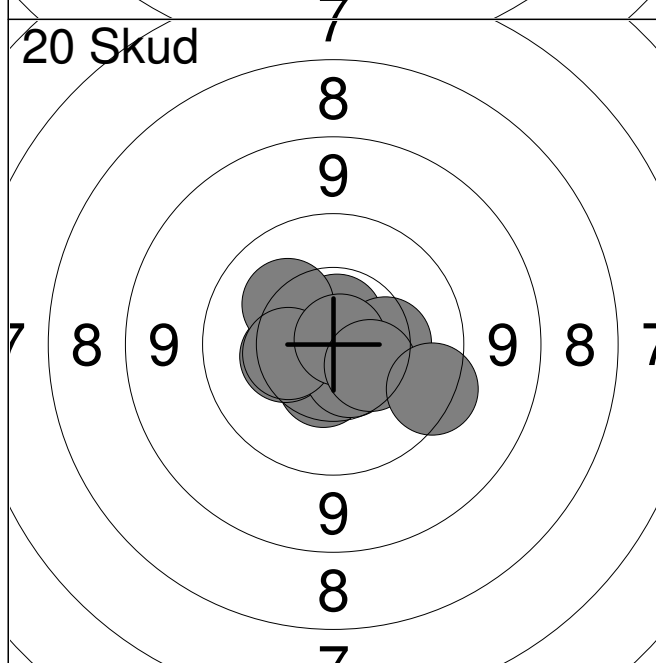
11:	7.2	↙
12:	9.4	→
13:	9.7	↗
14:	7.8	↗
15:	9.2	↗
16:	10.0	↗
17:	8.3	↘
18:	8.6	→
19:	9.0	↑
20:	9.8	→
<b>Serie</b>		<b>85</b>
<b>Total</b>		<b>171</b>



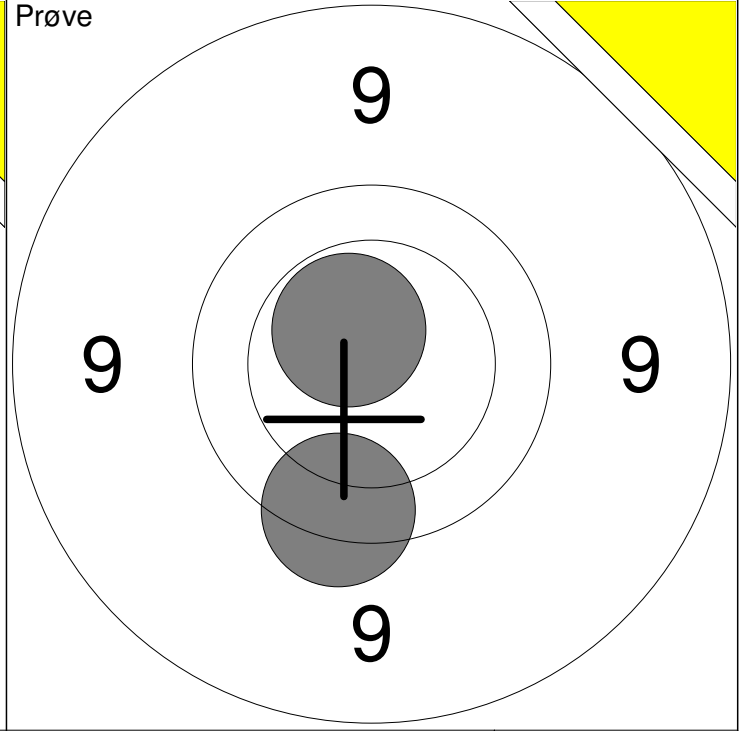
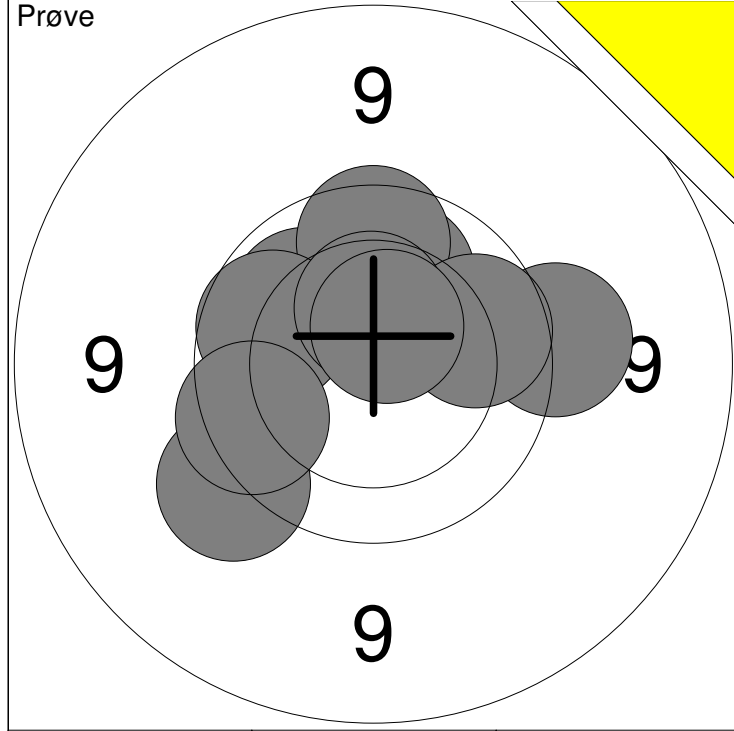
1:	10.7x	↗
2:	10.6	←
3:	10.5	↗
4:	10.4	↗
5:	10.3	↗
6:	10.4	↗
7:	10.7x	↘
<b>Serie</b>		<b>70</b>
<b>Total</b>		<b>0</b>



1:	10.7x	↗
2:	10.8x	↗
3:	10.6	↗
4:	10.4	↘
5:	10.5	↗
6:	10.4	↘
7:	10.0	↘
8:	10.3	↘
9:	10.1	↘
10:	10.2	→
<b>Serie</b>		<b>100</b>
<b>Total</b>		<b>100</b>

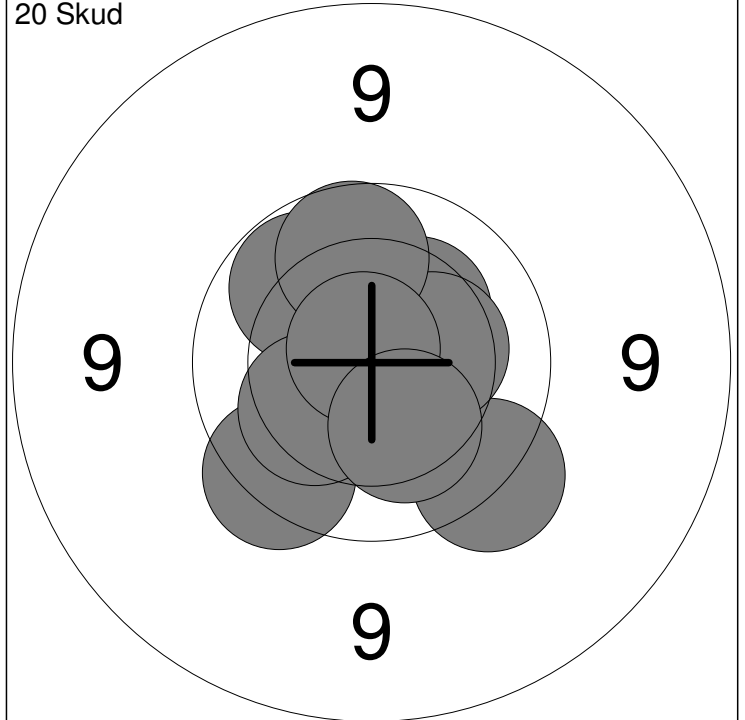
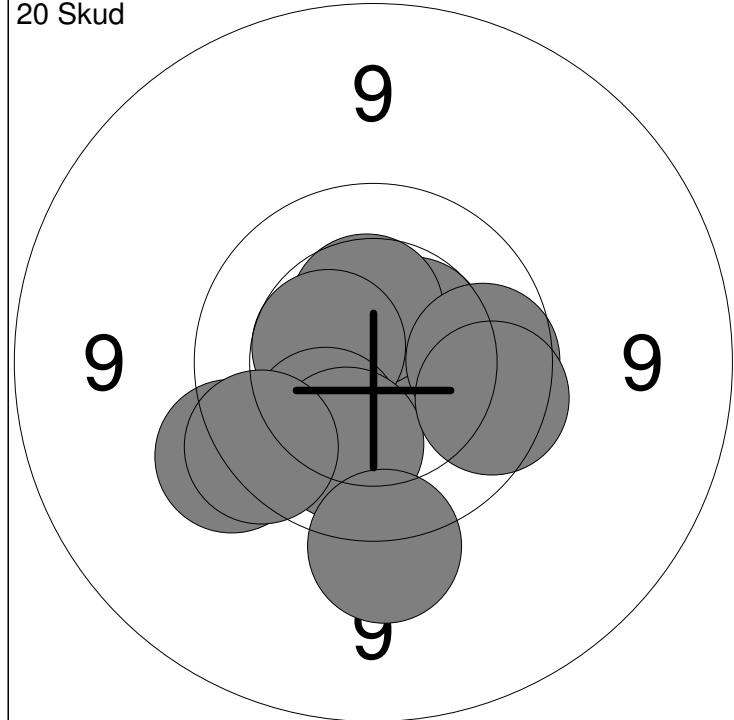


11:	10.5	↘
12:	10.4	←
13:	10.6	↘
14:	10.7x	↑
15:	10.2	↗
16:	10.4	←
17:	10.3	→
18:	10.9x	↗
19:	10.4	↘
20:	9.6	↘
<b>Serie</b>		<b>99</b>
<b>Total</b>		<b>199</b>



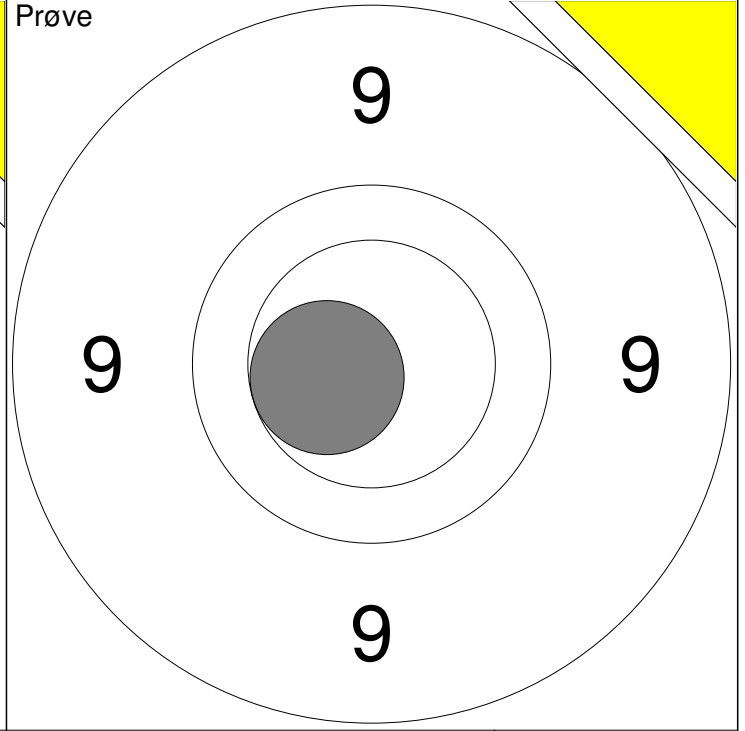
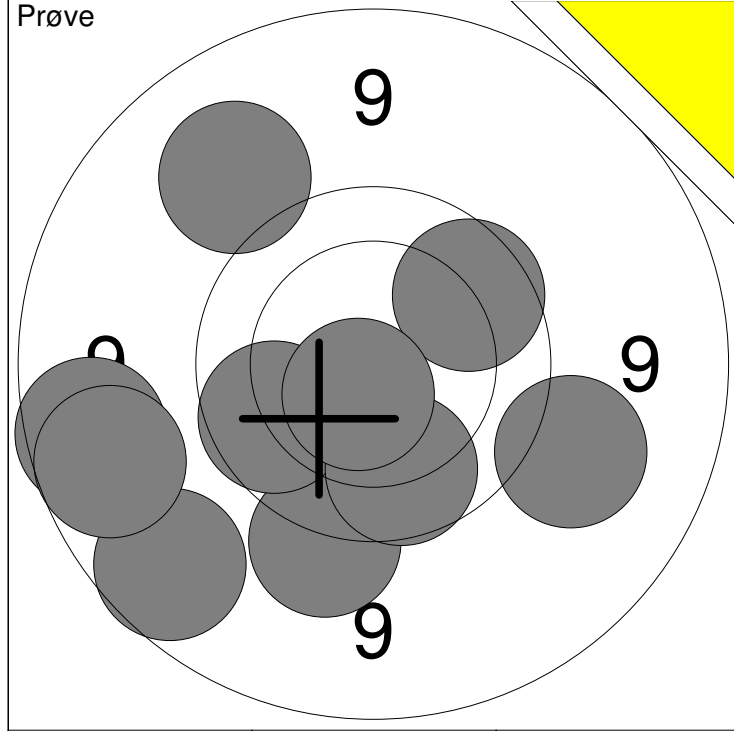
1: 9.5 →	6: 9.9 ←	Serie	94
2: 9.5 ↙	7: 9.9 →		
3: 10.1 ↑	8: 10.4 ↑	Total	0
4: 10.1 ↖	9: 9.8 ←		
5: 9.8 ↑	10: 10.6x ↑		

11: 9.7 ↓	Serie	19
12: 10.6x ↖		
Total		0



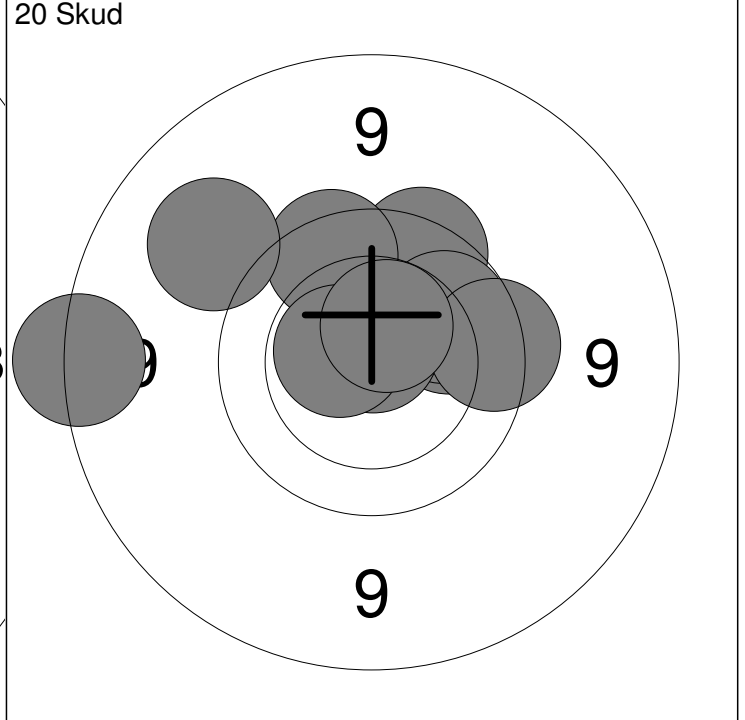
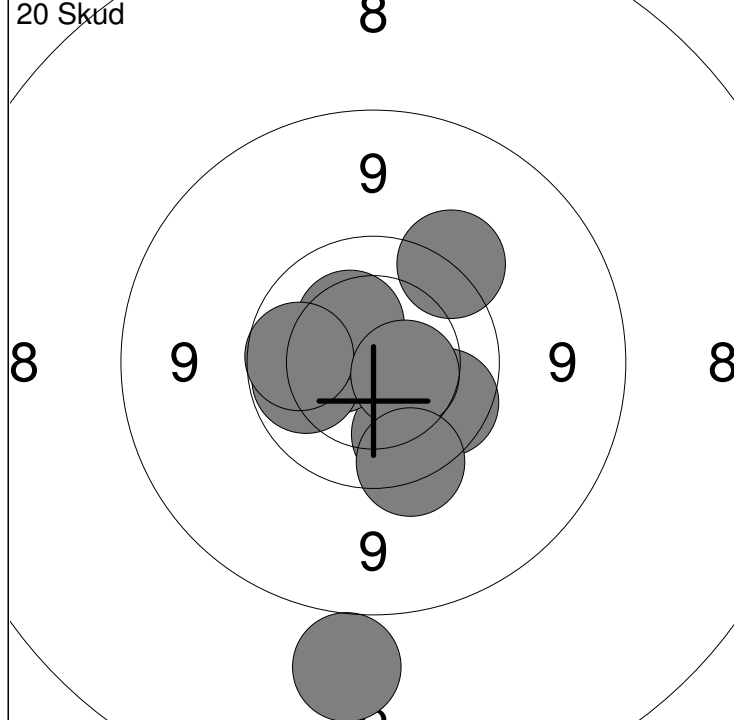
1: 10.5 ↗	6: 10.2 ↘	Serie	95
2: 10.4 ↑	7: 10.1 ↓		
3: 10.5 ↖	8: 9.8 →	Total	95
4: 9.9 →	9: 9.5 ↓		
5: 9.6 ↙	10: 9.7 ↖		

11: 9.7 ↘	16: 9.6 ↘	Serie	97
12: 10.3 ↗	17: 10.3 →		
13: 10.8x ↑	18: 9.9 ↑	Total	192
14: 10.0 ↖	19: 10.8x ↗		
15: 10.2 ↙	20: 10.2 ↓		



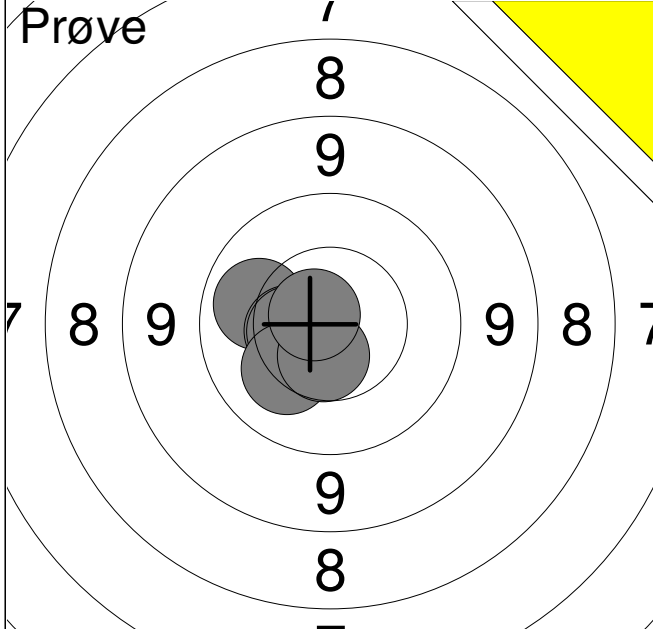
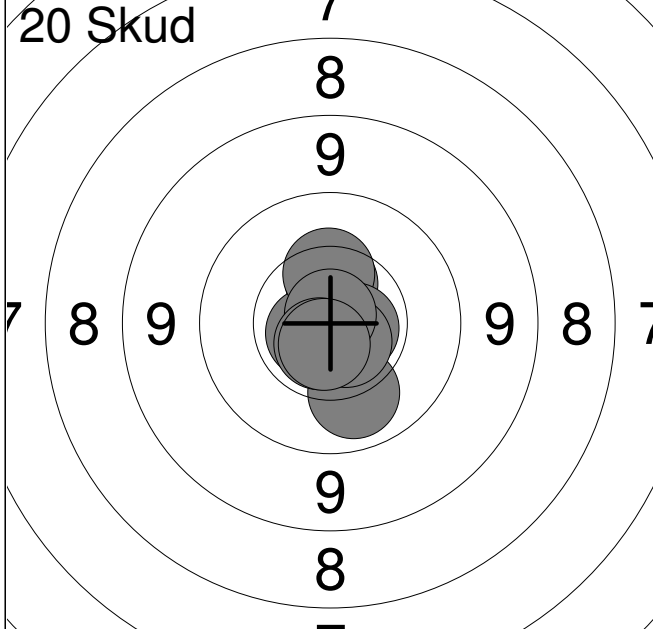
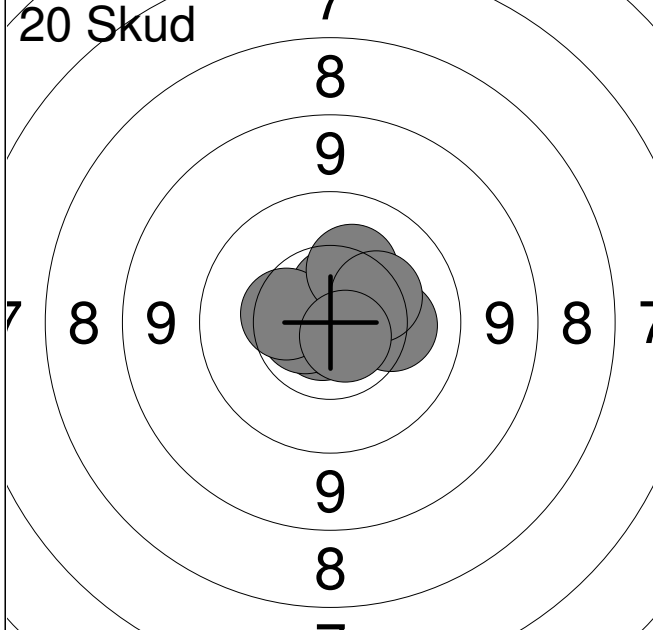
1: 9.9 ↗	6: 8.9 ↙	Serie	88
2: 9.3 →	7: 9.9 ←		
3: 9.2 ↗	8: 9.9 ↓	Total	0
4: 9.5 ↓	9: 8.9 ←		
5: 8.9 ←	10: 10.6x ↘		

11: 10.5x ←	Serie	10
	Total	0

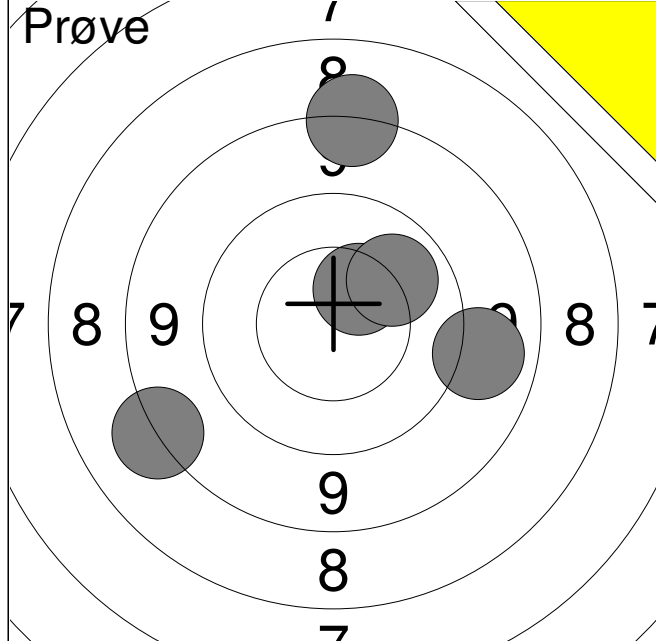


1: 9.9 ↓	6: 8.4 ↓	Serie	93
2: 10.4 ←	7: 9.5 ↗		
3: 9.9 →	8: 9.9 ←	Total	93
4: 10.0 ←	9: 10.5 →		
5: 10.3 ↗	10: 9.7 ↓		

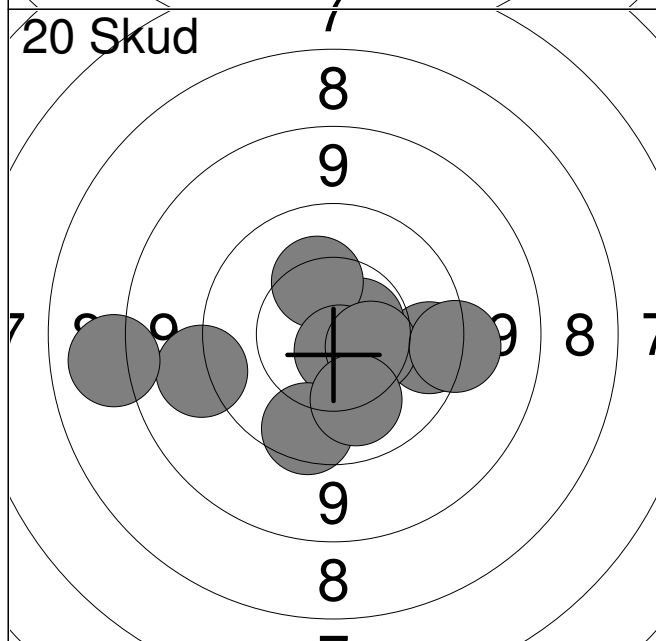
11: 9.7 ↗	16: 10.8x ↑	Serie	94
12: 10.0 ↗	17: 9.7 →		
13: 9.8 ↗	18: 10.6x ←	Total	187
14: 8.7 ←	19: 10.5x ↑		
15: 10.0 ↗	20: 9.2 ←		

Hold <b>98</b>	Skive <b>9</b>	<b>Nina Guldbæk Larsen</b>		
Aalborg		Vodskov Skytteforening		J1
15.02.2018		Jyllandsstævnet		Aalborg Skyttekreds
<b>Prøve</b>				
		1: 10.1	←	
		2: 10.5	←	
		3: 10.5	←	
		4: 10.5	↘	
		5: 10.2	↘	
		6: 10.6	↘	
		7: 10.7x	↖	
		<b>Serie</b>		<b>70</b>
		<b>Total</b>		<b>0</b>
<b>20 Skud</b>				
		1: 10.5	↑	
		2: 10.1	↘	
		3: 10.7x	↘	
		4: 10.7x	←	
		5: 10.4	↑	
		6: 10.7x	→	
		7: 10.7x	↘	
		8: 10.9x	↑	
		9: 10.7x	↘	
		10: 10.7x	↘	
		<b>Serie</b>		<b>100</b>
		<b>Total</b>		<b>100</b>
<b>20 Skud</b>				
		11: 10.8x	↘	
		12: 10.8x	↘	
		13: 10.4	↗	
		14: 10.2	→	
		15: 10.6x	←	
		16: 10.6x	↑	
		17: 10.4	←	
		18: 10.3	↗	
		19: 10.3	↗	
		20: 10.7x	↘	
		<b>Serie</b>		<b>100</b>
		<b>Total</b>		<b>200</b>

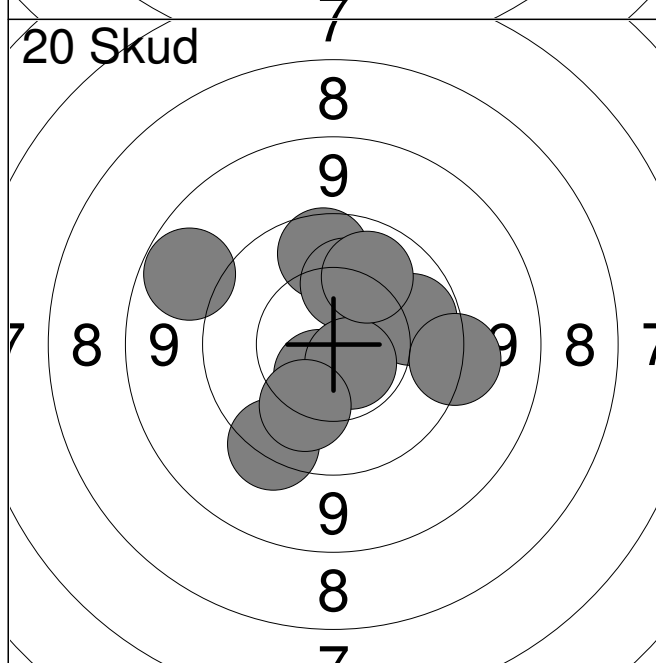




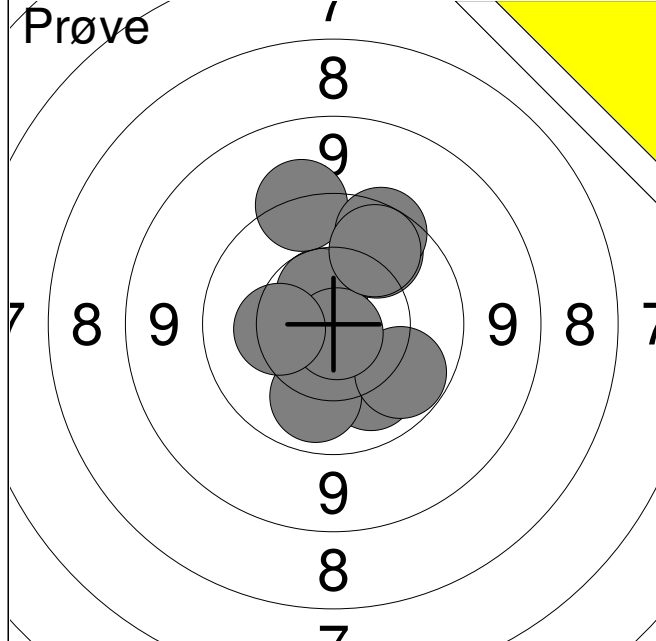
1:	10.4	↗
2:	9.1	→
3:	8.4	↑
4:	8.4	↖
5:	10.1	↗
<b>Serie</b>		<b>45</b>
<b>Total</b>		<b>0</b>



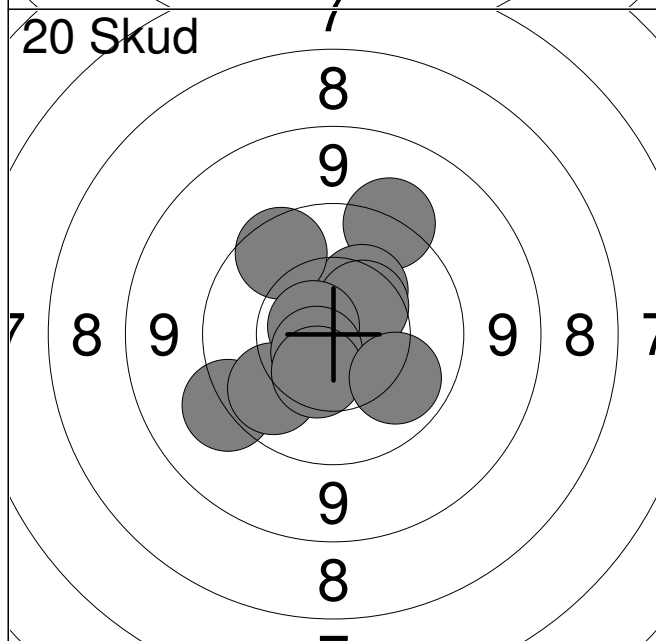
1:	9.3	↖
2:	9.8	→
3:	10.6x	↗
4:	10.3	↑
5:	10.7x	↓
6:	10.5	↘
7:	8.2	↖
8:	9.5	→
9:	9.8	↓
10:	10.1	↓
<b>Serie</b>		<b>94</b>
<b>Total</b>		<b>94</b>



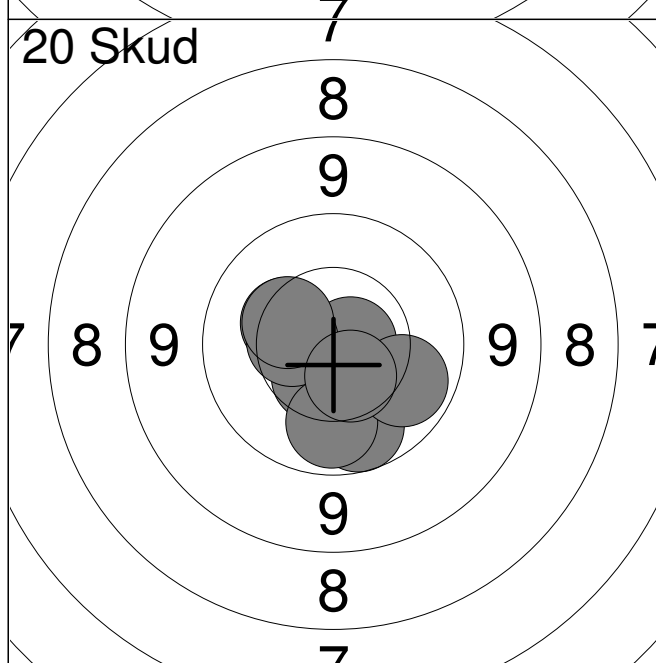
11:	9.0	↖
12:	10.0	→
13:	9.5	↓
14:	10.6	↓
15:	9.9	↑
16:	10.2	↑
17:	10.6x	↘
18:	10.1	↗
19:	10.2	↓
20:	9.5	→
<b>Serie</b>		<b>96</b>
<b>Total</b>		<b>190</b>



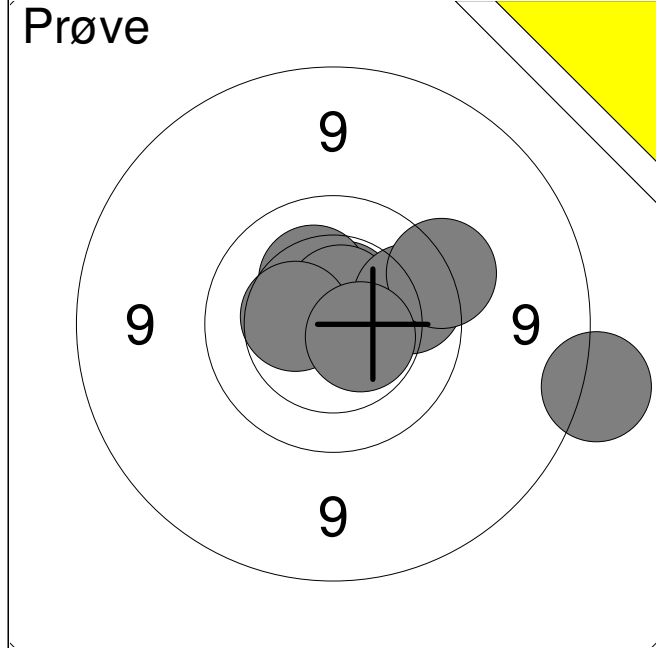
1:	10.1	↘
2:	10.1	↘
3:	10.6	↗
4:	9.4	↗
5:	10.0	↗
6:	9.7	↗
7:	10.0	↘
8:	10.8x	↘
9:	10.3	←
10:	10.0	↗
<b>Serie</b>	<b>98</b>	
<b>Total</b>	<b>0</b>	



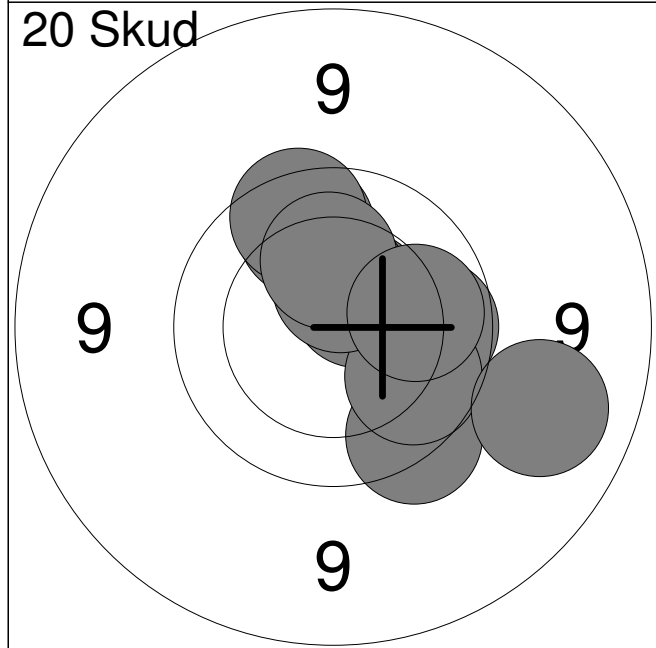
1:	9.4	↗
2:	9.4	↖
3:	10.3	↗
4:	9.8	↗
5:	10.5	↗
6:	10.7x	↖
7:	10.0	↖
8:	10.7x	↖
9:	10.5	↘
10:	10.1	↘
<b>Serie</b>	<b>97</b>	
<b>Total</b>	<b>97</b>	



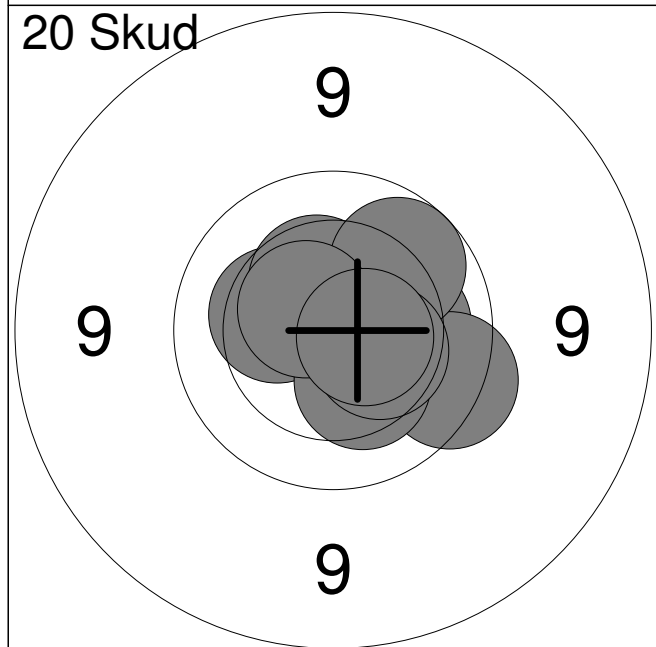
11:	10.3	↖
12:	10.2	↘
13:	10.5	↘
14:	9.9	↘
15:	10.7x	→
16:	10.5	↖
17:	10.4	↗
18:	10.0	↘
19:	10.0	↘
20:	10.5	↘
<b>Serie</b>	<b>99</b>	
<b>Total</b>	<b>196</b>	



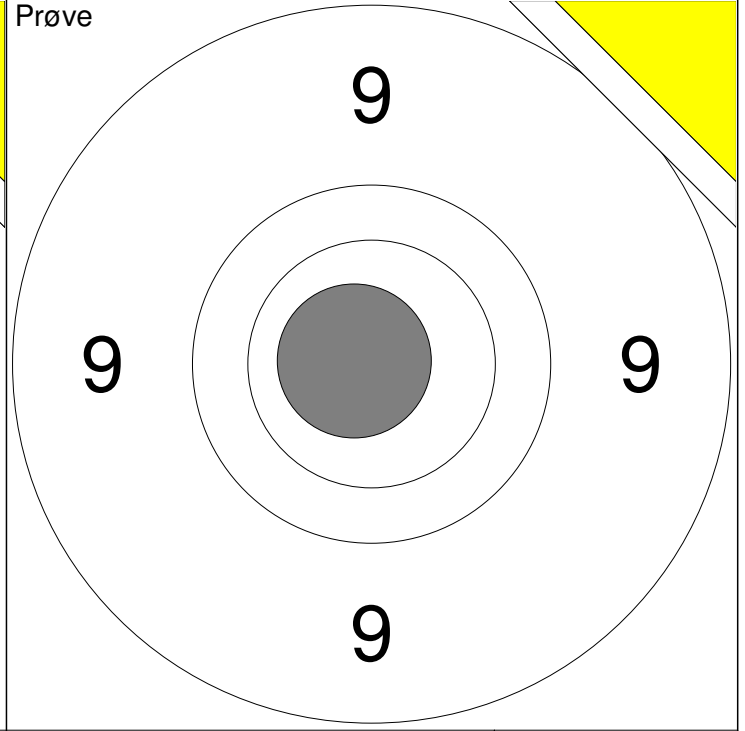
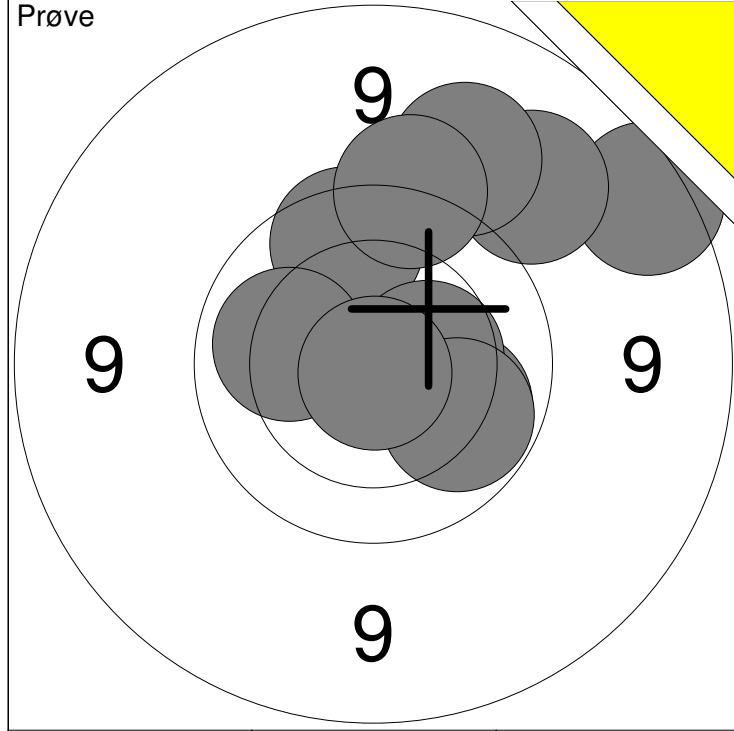
1:	10.5x	↗
2:	10.3	↗
3:	10.6x	↗
4:	9.9	→
5:	10.4	↖
6:	9.6	↗
7:	8.6	→
8:	10.5x	↘
<b>Serie</b>		<b>76</b>
<b>Total</b>		<b>0</b>



1:	9.7	↘
2:	9.9	↗
3:	9.8	↗
4:	10.5x	↗
5:	9.9	→
6:	9.9	↘
7:	10.5	↗
8:	10.2	↗
9:	9.1	↘
10:	10.0	→
<b>Serie</b>		<b>94</b>
<b>Total</b>		<b>94</b>

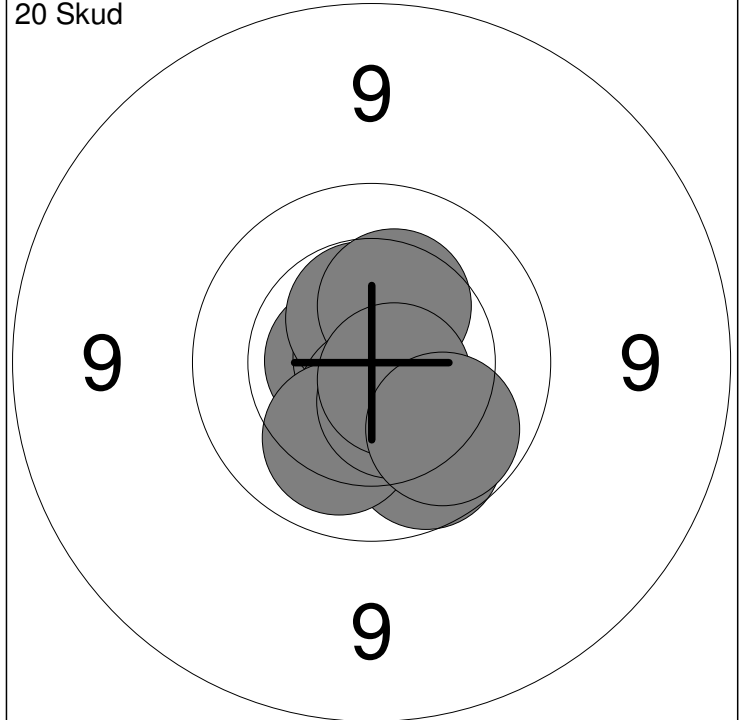
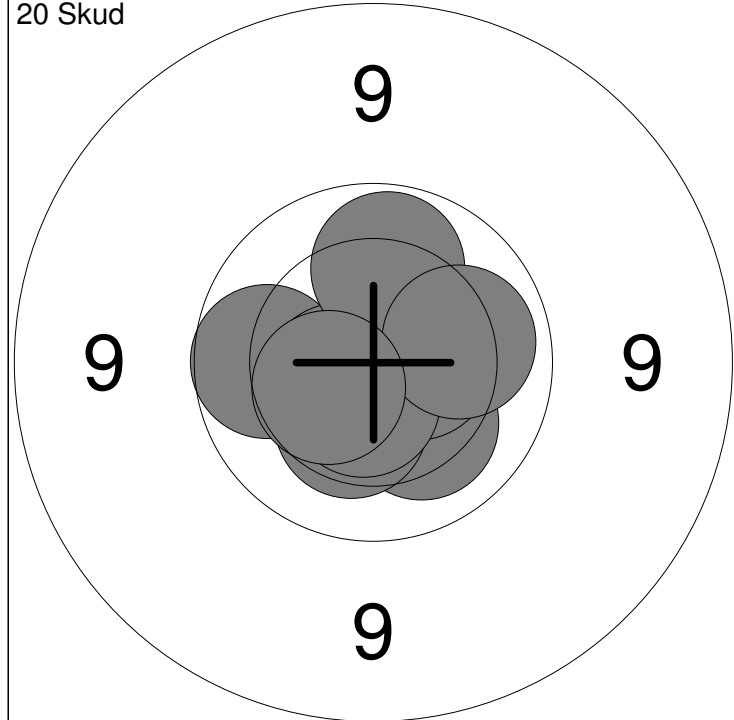


11:	10.3	↖
12:	10.6x	↘
13:	10.2	→
14:	9.7	↘
15:	10.3	↘
16:	10.4	↗
17:	9.9	↗
18:	10.6x	↗
19:	10.4	↘
20:	10.6x	→
<b>Serie</b>		<b>98</b>
<b>Total</b>		<b>192</b>



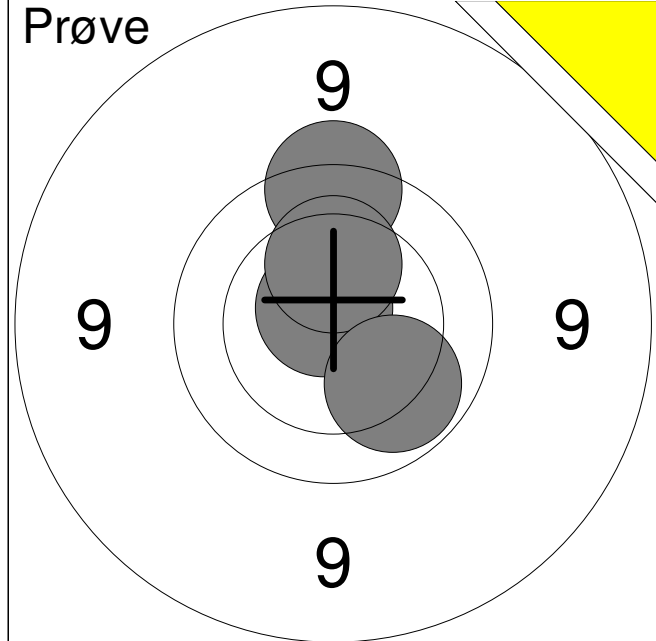
1: 9.8 ↑	6: 10.0 ➤	Serie 94
2: 8.8 ↗	7: 10.4 →	
3: 9.2 ↗	8: 10.1 ←	Total 0
4: 9.3 ↑	9: 10.0 ➤	
5: 9.5 ↑	10: 10.9x ↓	

11: 10.8x ←	Serie 10
	Total 0

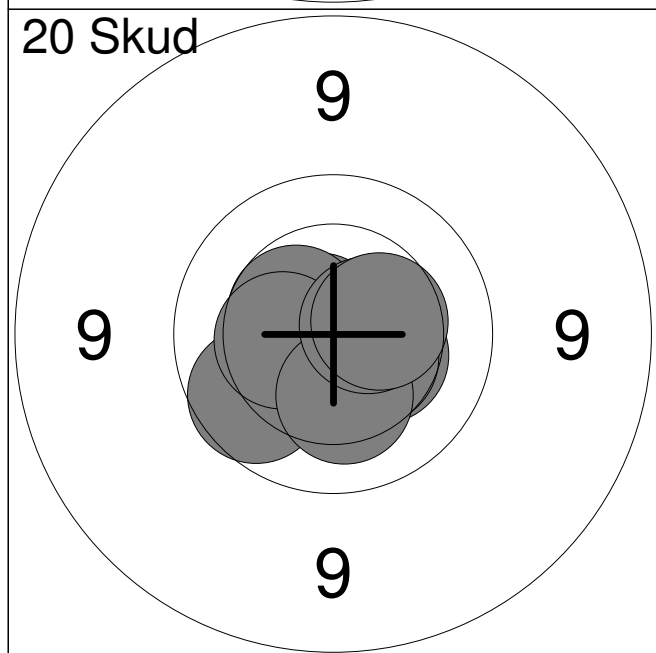


1: 10.2 ↓	6: 10.9x ➤	Serie 99
2: 9.9 ←	7: 10.6x ↓	
3: 10.5x ➔	8: 10.0 ↑	Total 99
4: 10.6x ←	9: 10.1 ➔	
5: 10.3 ↓	10: 10.5 ←	

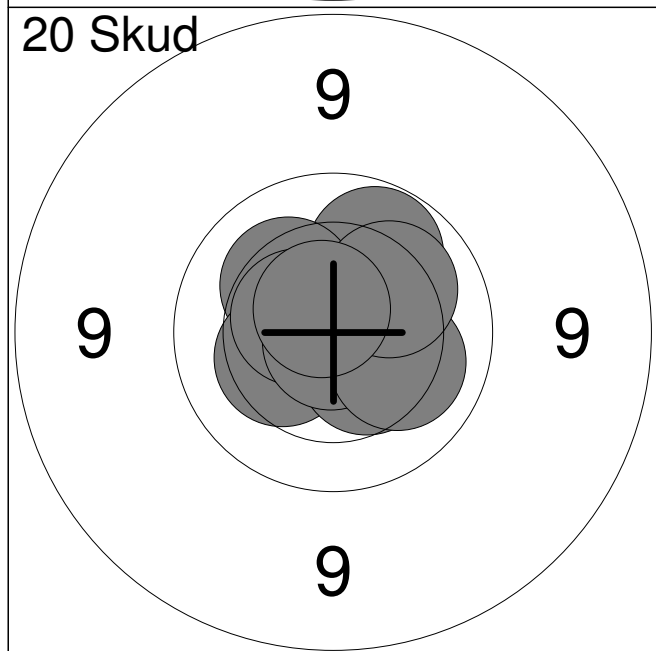
11: 10.7x ←	16: 10.6x ↓	Serie 99
12: 10.9x ↗	17: 10.1 ↓	
13: 9.9 ↓	18: 10.5x ↓	Total 198
14: 10.5x ↗	19: 10.7x ↓	
15: 10.4 ↗	20: 10.0 ↓	



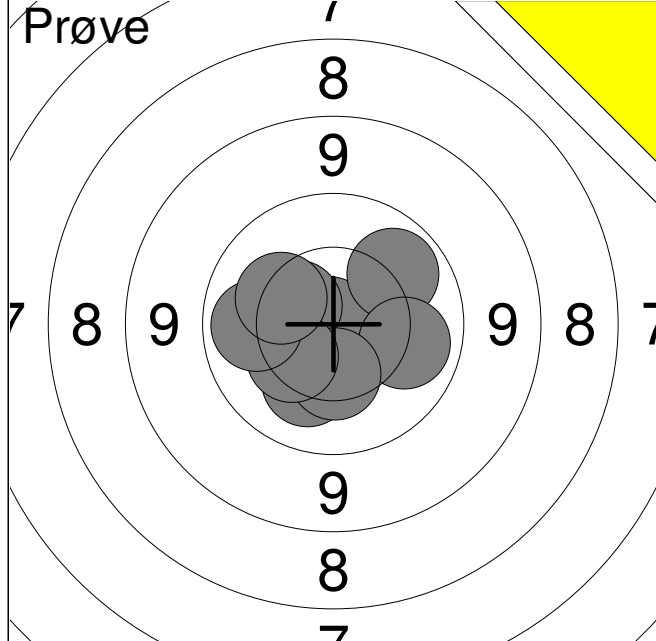
1:	9.7	↑
2:	10.7x	↗
3:	10.3	↑
4:	10.0	↘
<b>Serie</b>		<b>39</b>
<b>Total</b>		<b>0</b>



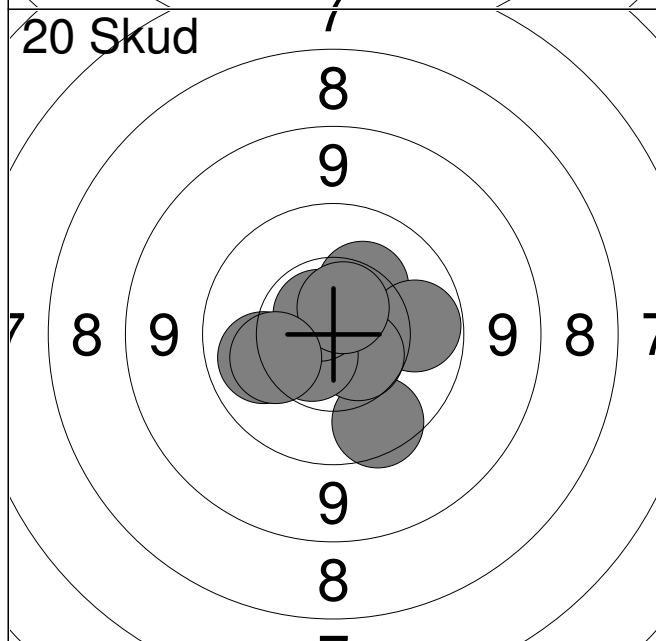
1:	10.7x	↗
2:	10.4	↘
3:	10.5	↗
4:	10.3	↘
5:	9.9	↘
6:	10.4	←
7:	10.5	↘
8:	10.3	↓
9:	10.6x	→
10:	10.4	→
<b>Serie</b>		<b>99</b>
<b>Total</b>		<b>99</b>



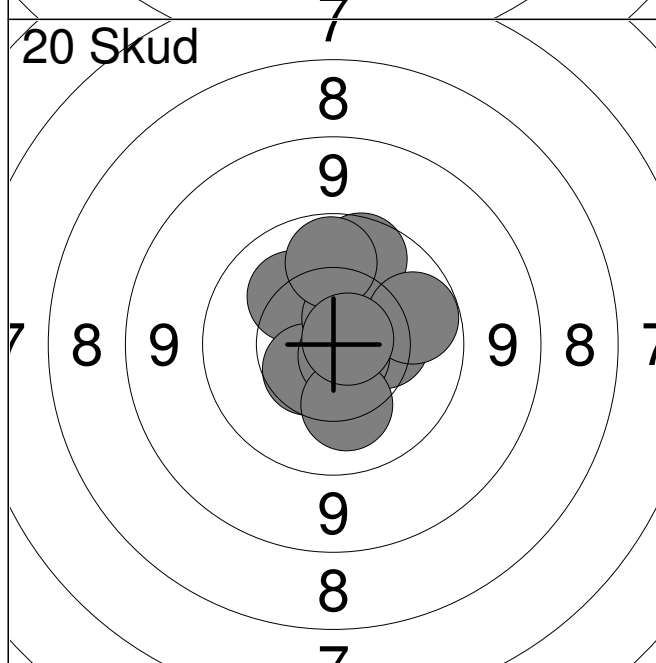
11:	10.0	↗
12:	10.2	↗
13:	10.8x	→
14:	10.3	←
15:	10.4	↘
16:	10.5x	↗
17:	10.8x	↓
18:	10.2	↘
19:	10.2	↗
20:	10.7x	↗
<b>Serie</b>		<b>100</b>
<b>Total</b>		<b>199</b>



1:	10.4	←
2:	10.9x	←
3:	10.0	↗
4:	10.2	↓
5:	10.5	↖
6:	10.1	→
7:	10.4	↓
8:	10.3	↙
9:	10.0	←
10:	10.3	↖
<b>Serie</b>		<b>100</b>
<b>Total</b>		<b>0</b>

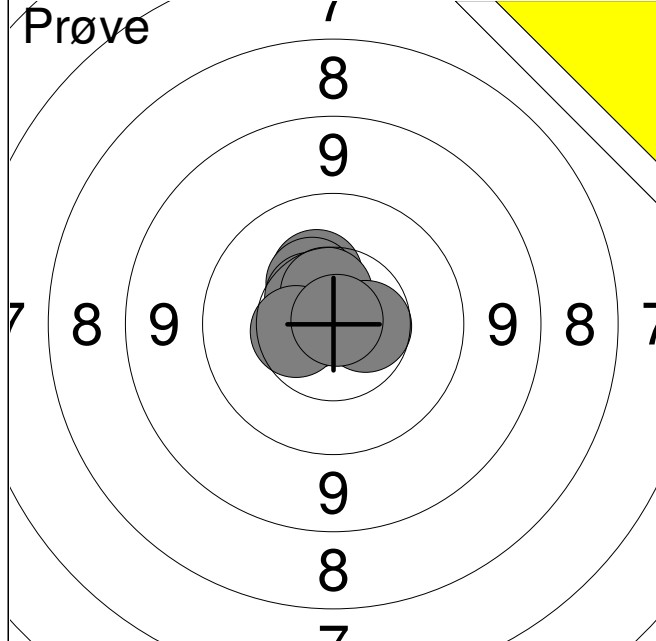


1:	10.3	↗
2:	10.8x	↓
3:	10.0	→
4:	9.8	↓
5:	10.6	↓
6:	10.6x	↙
7:	10.7x	↗
8:	10.1	←
9:	10.6x	↗
10:	10.2	←
<b>Serie</b>		<b>99</b>
<b>Total</b>		<b>99</b>

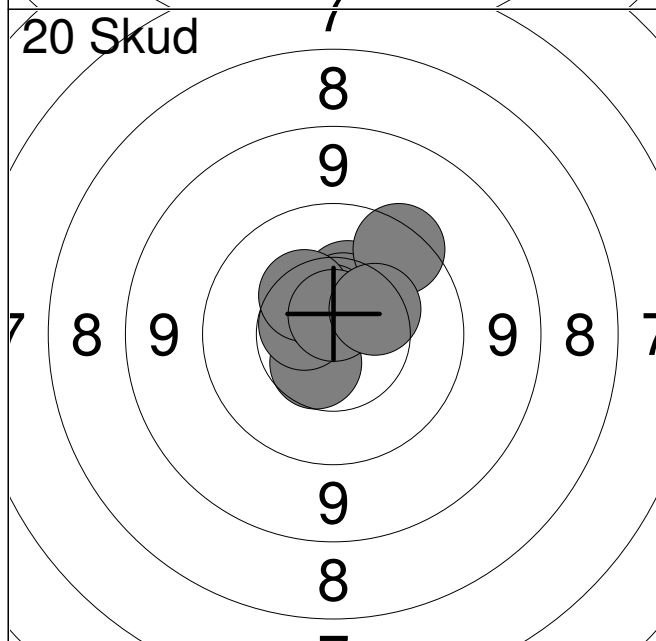


11:	10.2	↗
12:	10.4	→
13:	10.5	↙
14:	10.8x	↓
15:	10.6x	↗
16:	9.9	↗
17:	10.0	↑
18:	10.0	→
19:	10.2	↓
20:	10.8x	→
<b>Serie</b>		<b>99</b>
<b>Total</b>		<b>198</b>

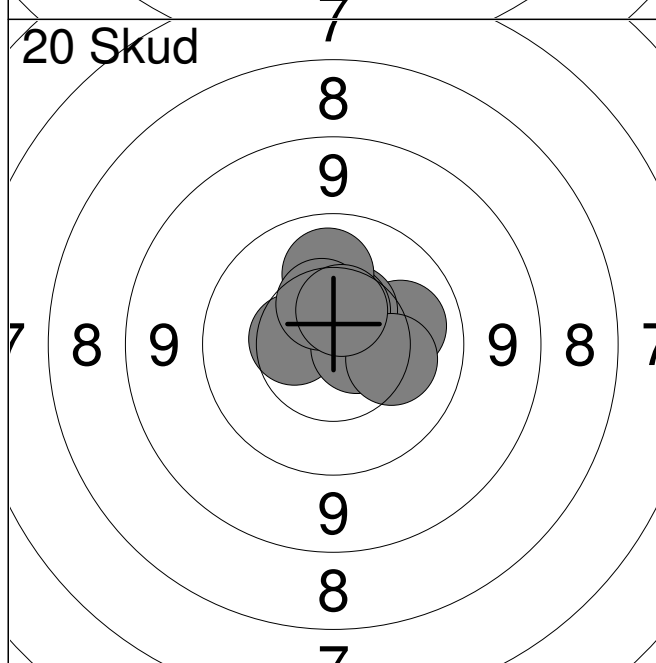
Hold	Skive	Kasper Rebelski				
99	6	Aalborg		Vilsted Skytteforening	BK2	
15.02.2018		Jyllandsstævnet		Aalborg Skyttekreds		
Prøve				1: 9.5	↘	
				2: 10.0	↗	
				3: 10.0	↘	
				4: 10.0	↓	
				5: 10.2	↘	
				6: 10.0	↘	
				7: 10.6x	↑	
				8: 10.5x	↗	
		Serie		79		
		Total		0		
20 Skud				1: 10.7x	↑	
				2: 10.4	↓	
				3: 9.7	↓	
				4: 10.0	↙	
				5: 10.4	→	
				6: 9.8	↗	
				7: 10.8x	↓	
				8: 9.8	→	
				9: 9.8	↙	
				10: 10.3	↗	
		Serie		96		
		Total		96		
20 Skud				11: 10.7x	↑	
				12: 10.2	→	
				13: 10.2	↓	
				14: 9.8	→	
				15: 10.7x	↗	
				16: 10.4	↑	
				17: 10.5x	↘	
				18: 9.8	↗	
				19: 10.5x	↓	
				20: 10.4	↗	
		Serie		98		
		Total		194		



1:	10.7x	←
2:	10.3	↑
3:	10.4	↗
4:	10.5	↗
5:	10.6	↑
6:	10.5	←
7:	10.6	→
8:	10.9x	↗
<b>Serie</b>		<b>80</b>
<b>Total</b>		<b>0</b>

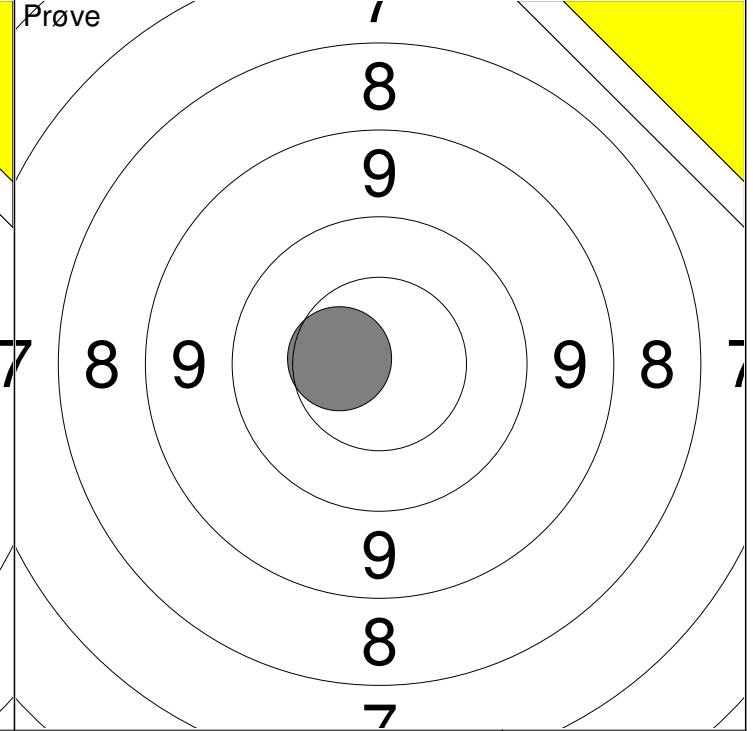
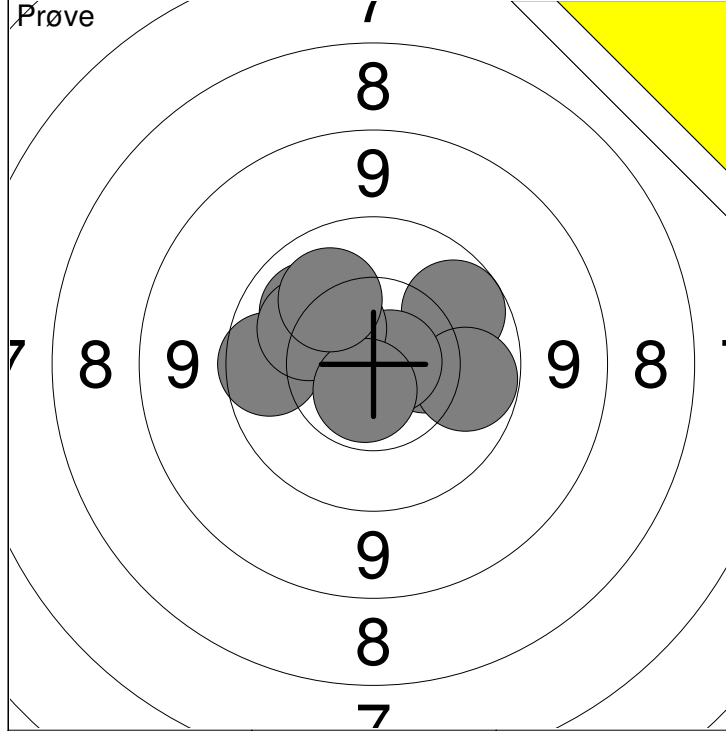


1:	10.4	↑
2:	10.6	↘
3:	10.6	↑
4:	10.6x	←
5:	10.5	↑
6:	10.7x	↑
7:	10.4	↗
8:	10.7x	↑
9:	9.7	↗
10:	10.4	↗
<b>Serie</b>		<b>99</b>
<b>Total</b>		<b>99</b>



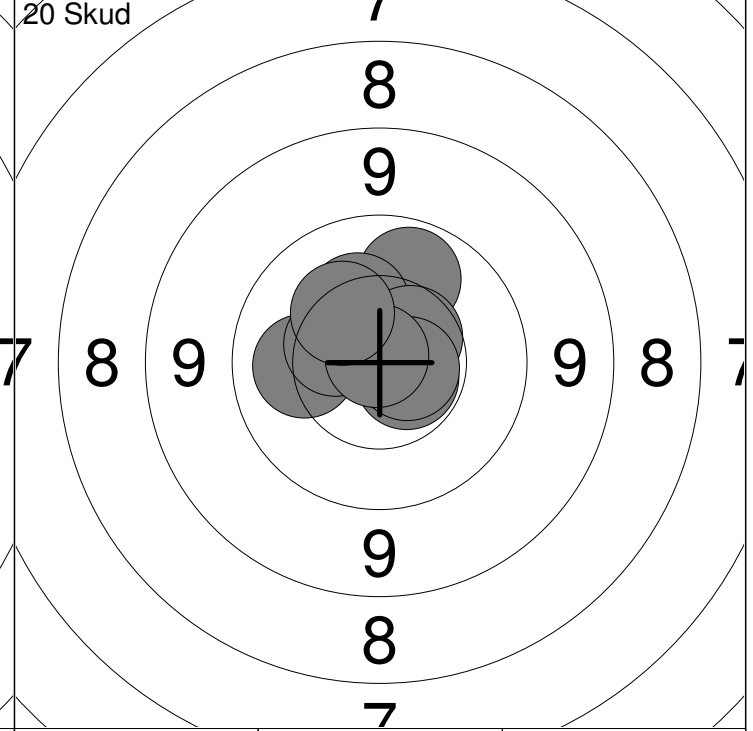
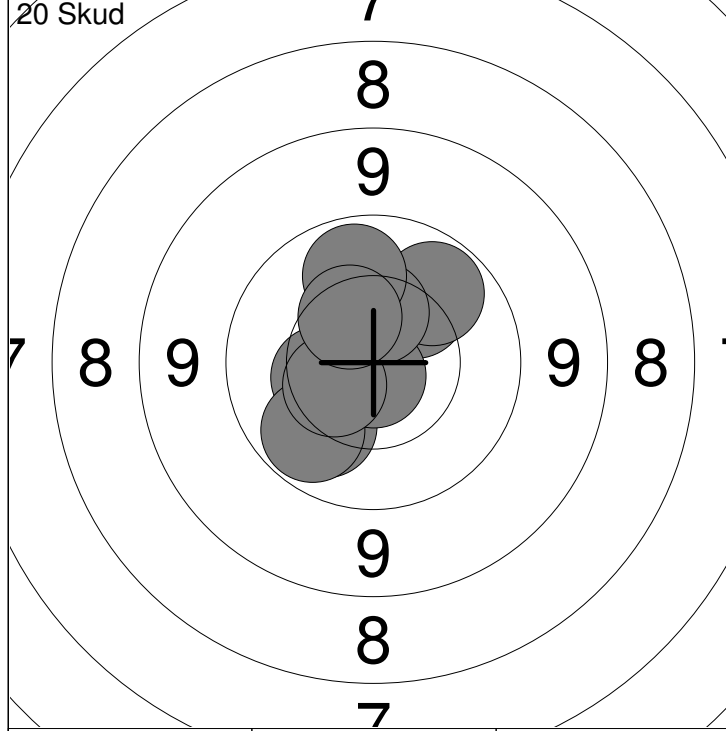
11:	10.8x	↑
12:	10.1	→
13:	10.5	↗
14:	10.5	↑
15:	10.5	←
16:	10.7x	→
17:	10.1	↑
18:	10.2	→
19:	10.5	↑
20:	10.5	↑
<b>Serie</b>		<b>100</b>
<b>Total</b>		<b>199</b>





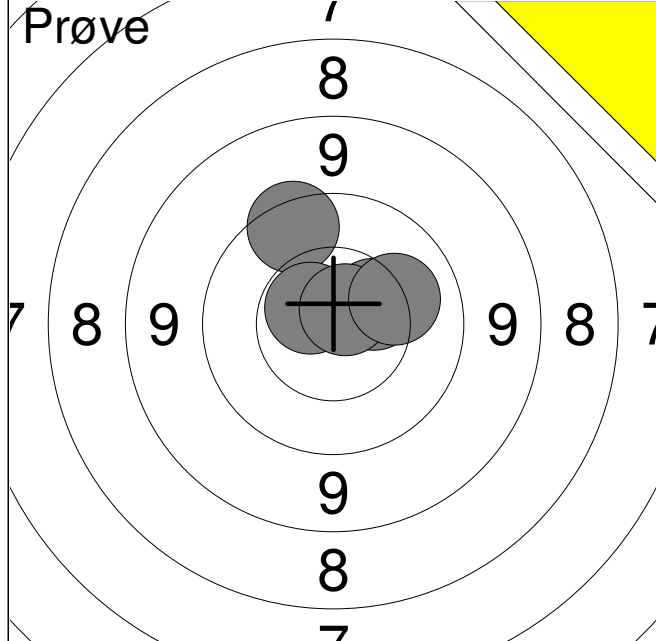
1: 10.4 →	6: 10.1 ↖	Serie 98
2: 9.9 ↗	7: 10.4 ↗	
3: 10.0 →	8: 10.2 ↖	Total 0
4: 9.9 ←	9: 10.7x ↓	
5: 10.8x →	10: 10.1 ↖	

11: 10.5 ←	Serie 10
	Total 0

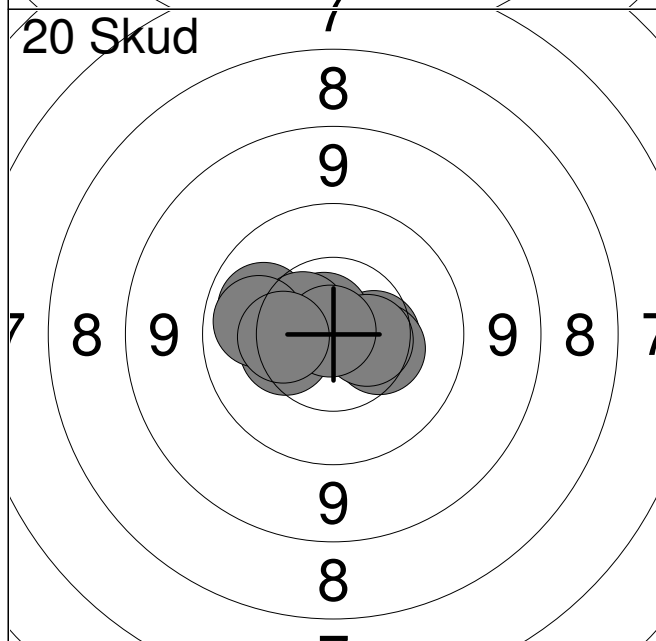


1: 10.2 ↗	6: 10.0 ↖	Serie 100
2: 10.1 ↖	7: 10.4 ↑	
3: 10.8x ↓	8: 10.0 ↑	Total 100
4: 10.0 ↗	9: 10.5 ↖	
5: 10.4 ←	10: 10.4 ↖	

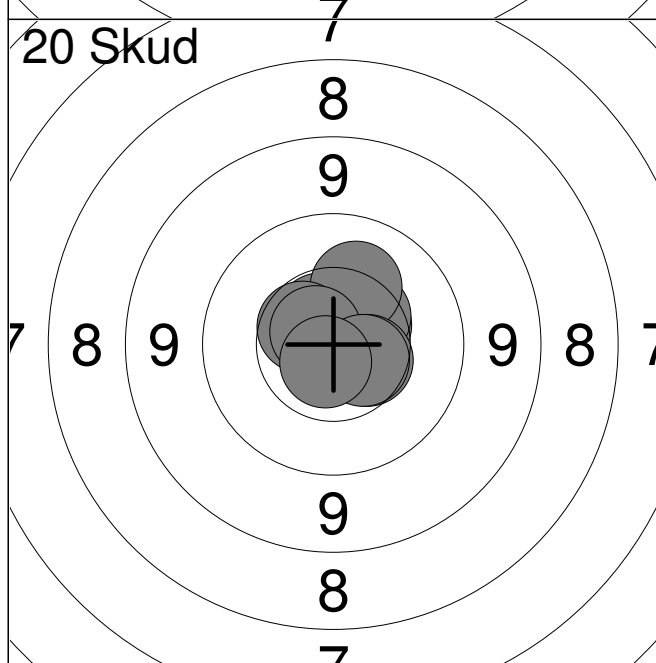
11: 10.6x →	16: 10.5 ↗	Serie 100
12: 10.8x →	17: 10.4 ↖	
13: 10.0 ↑	18: 10.7x →	Total 200
14: 10.3 ↑	19: 10.9x ↗	
15: 10.2 ←	20: 10.3 ↖	



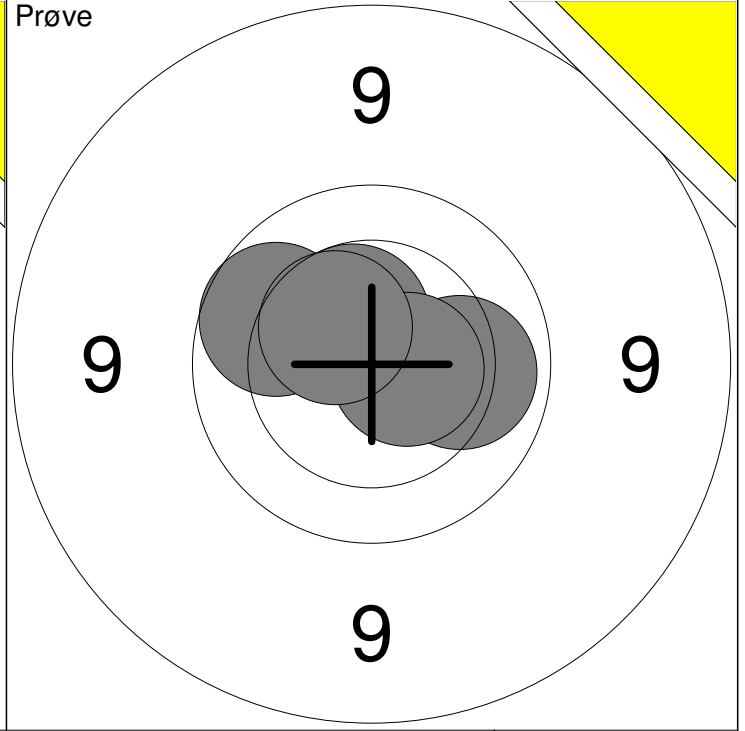
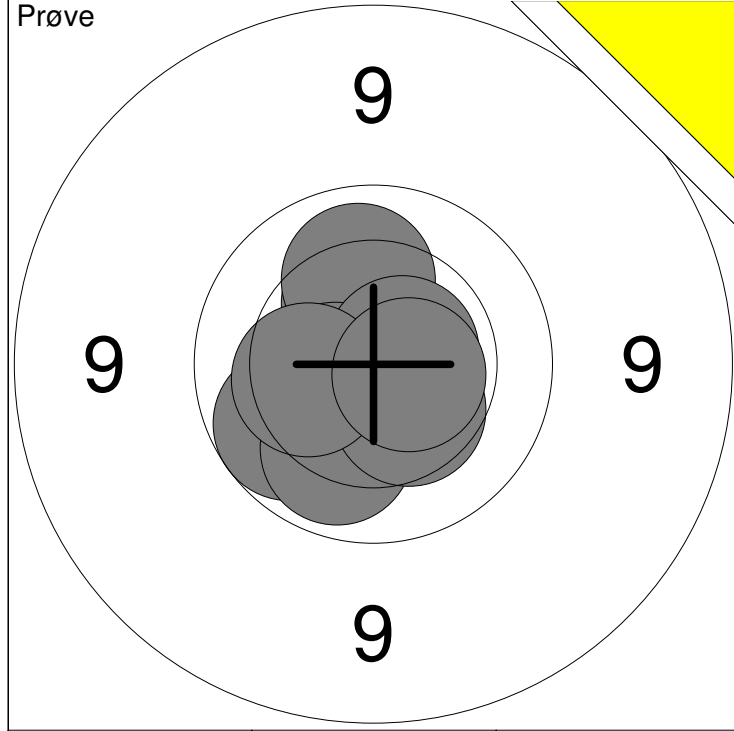
1:	9.7	↗
2:	10.6x	↖
3:	10.4	↘
4:	10.7x	↗
5:	10.2	↘
<b>Serie</b>		<b>49</b>
<b>Total</b>		<b>0</b>



1:	10.5	↘
2:	10.7x	↗
3:	10.4	↘
4:	10.5	↘
5:	10.4	↖
6:	10.1	↖
7:	10.5	↗
8:	10.9x	↗
9:	10.1	↖
10:	10.4	↖
<b>Serie</b>		<b>100</b>
<b>Total</b>		<b>100</b>

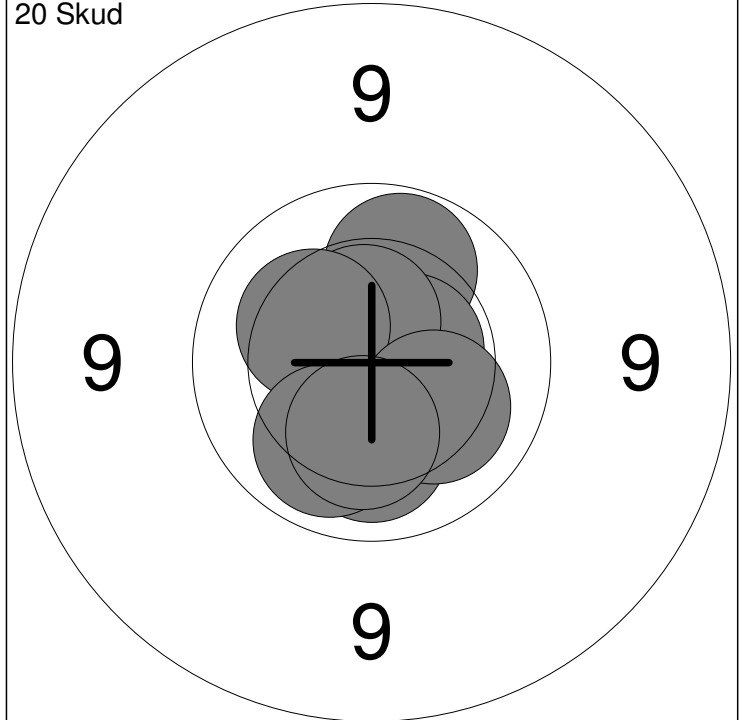
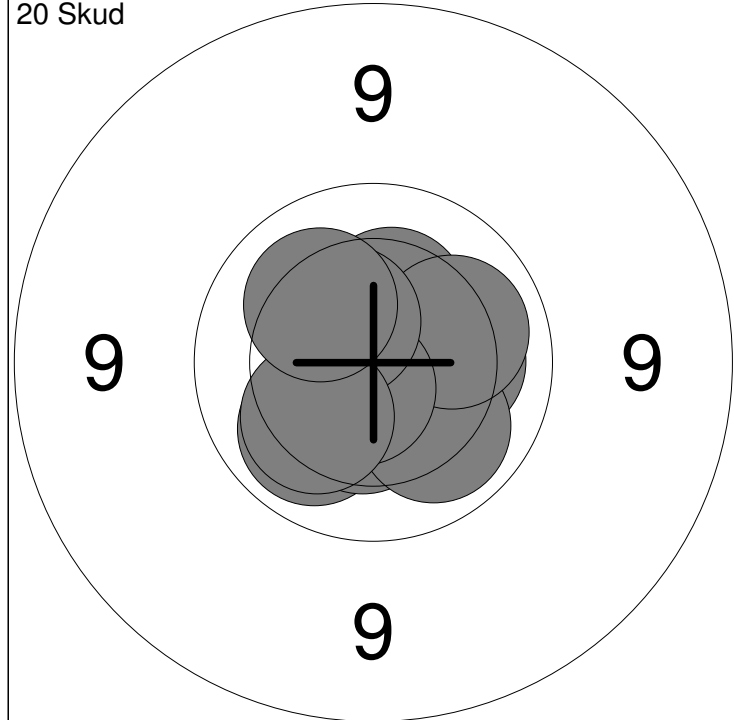


11:	10.6x	↗
12:	10.5	↘
13:	10.8x	↖
14:	10.4	↗
15:	10.2	↗
16:	10.5	↘
17:	10.5	↗
18:	10.7x	↗
19:	10.5	↘
20:	10.7x	↘
<b>Serie</b>		<b>100</b>
<b>Total</b>		<b>200</b>



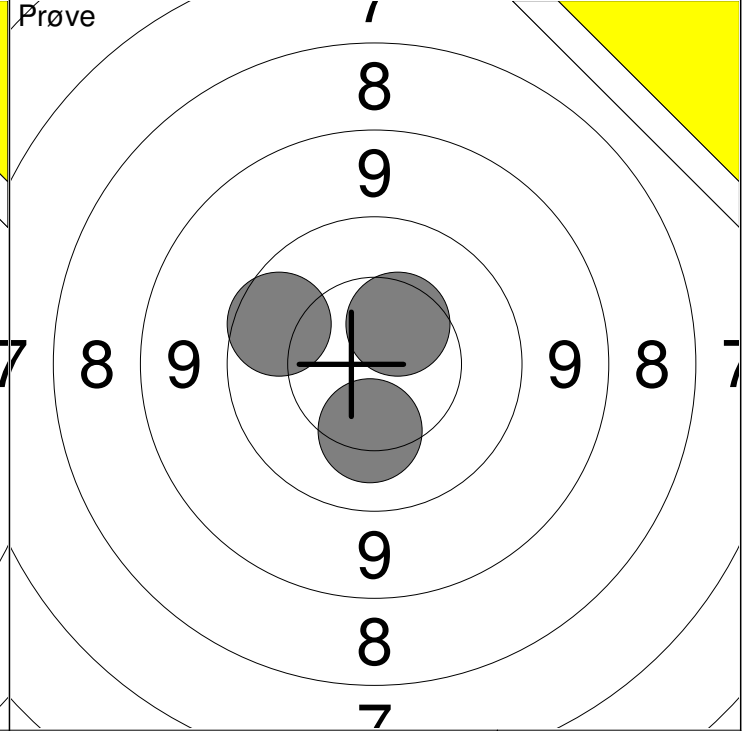
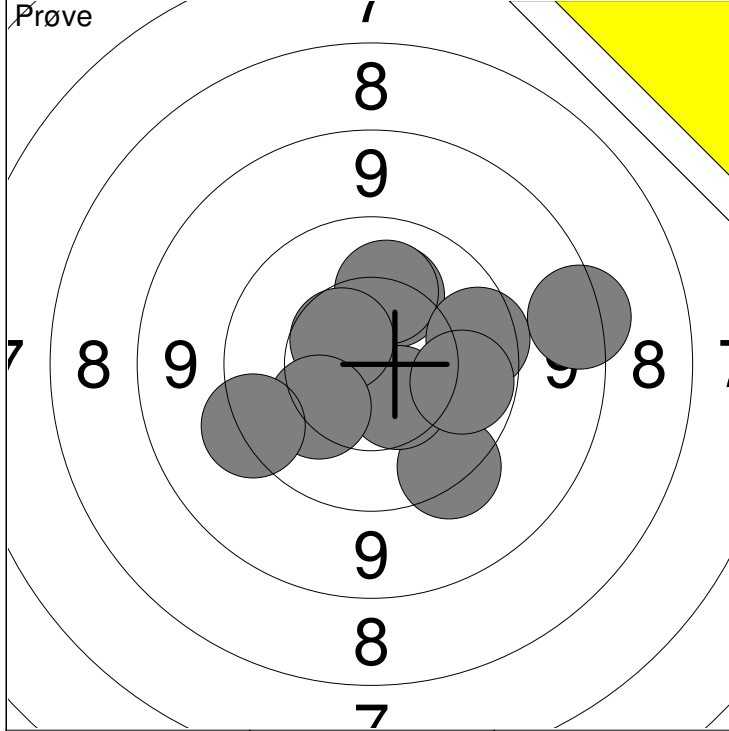
1: 10.5 ↘	6: 9.9 ↙	Serie	99
2: 10.3 ↗	7: 10.1 ↘		
3: 10.1 ↗	8: 10.4 ↘	Total	0
4: 10.6x ↙	9: 10.3 ↙		
5: 10.6x →	10: 10.6x →		

11: 10.5x ↗	Serie	49
12: 9.9 ↖		
13: 10.1 →	Total	0
14: 10.6x →		
15: 10.4 ↗		



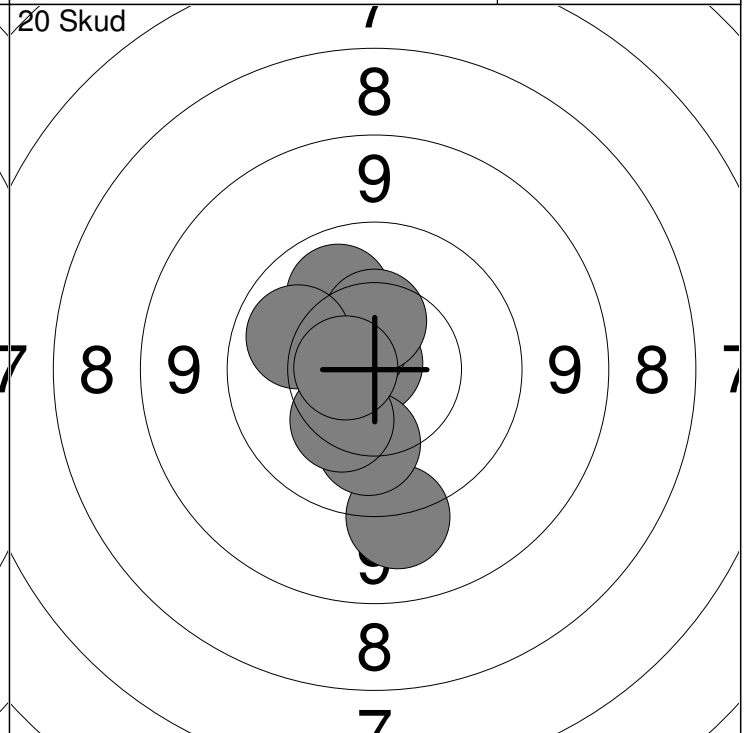
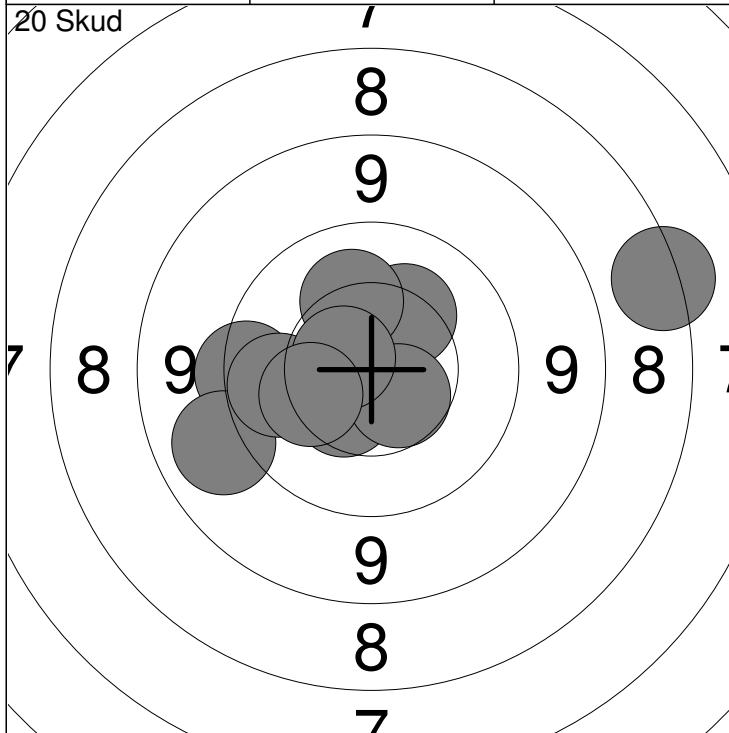
1: 10.1 ↙	6: 10.1 →	Serie	100
2: 10.2 →	7: 10.7x ↘		
3: 10.4 ↘	8: 10.5 ↗	Total	100
4: 10.1 ↘	9: 10.2 ↙		
5: 10.4 ↗	10: 10.2 ↖		

11: 10.6x →	16: 10.3 ↙	Serie	100
12: 10.4 ↘	17: 10.1 ↘		
13: 10.0 ↗	18: 10.2 ↘	Total	200
14: 10.6x →	19: 10.1 ↘		
15: 10.5x ↗	20: 10.3 ↘		



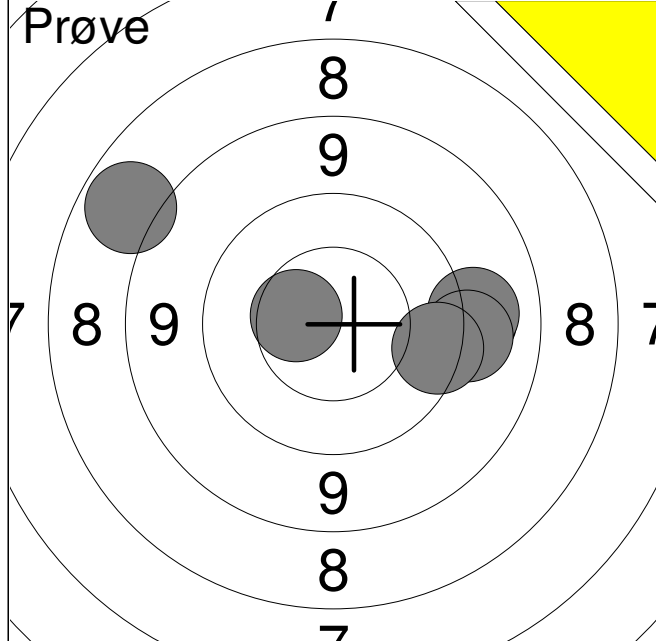
1: 9.6 ↘	6: 10.6 ↙	Serie	95
2: 10.2 ↗	7: 10.2 ↙		
3: 10.2 ↗	8: 8.6 →	Total	0
4: 9.8 →	9: 9.5 ←		
5: 10.5 ↘	10: 10.0 →		

11: 10.3 ↓	Serie	29
12: 9.9 ↙		
13: 10.5 ↗	Total	0

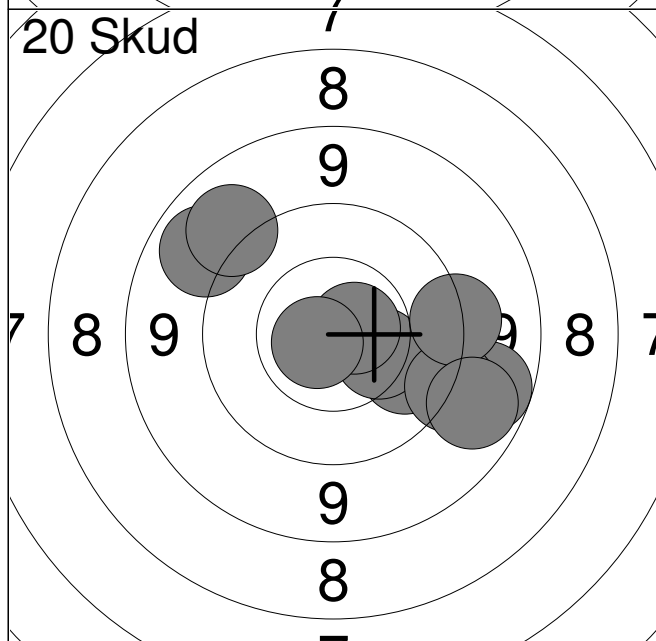


1: 10.5 ↙	6: 9.2 ←	Serie	95
2: 10.3 ↗	7: 10.0 ←		
3: 10.2 ↗	8: 10.6 ↘	Total	95
4: 7.5 →	9: 10.6x ↙		
5: 9.6 ←	10: 10.3 ←		

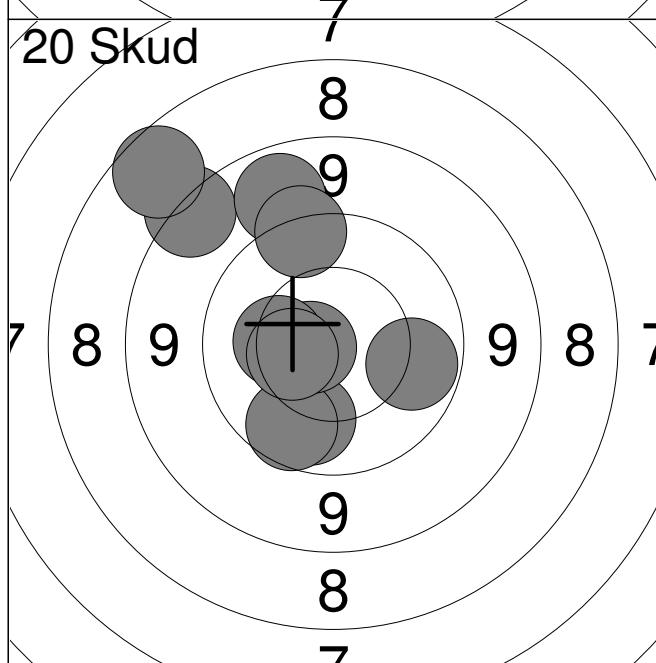
11: 10.9x ↗	16: 10.4 ↑	Serie	99
12: 9.3 ↓	17: 10.2 ↓		
13: 10.6x ↗	18: 10.1 ↙	Total	194
14: 10.6x ↗	19: 10.3 ↘		
15: 10.1 ↗	20: 10.6x ←		



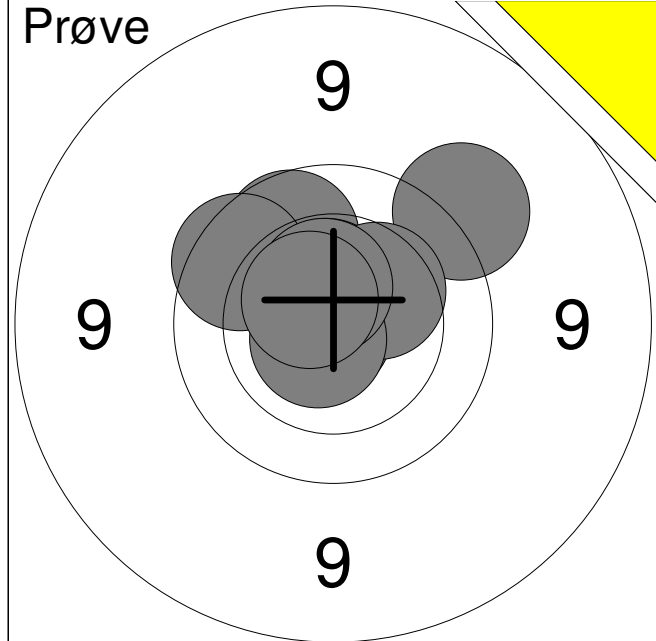
1:	10.5	←
2:	9.2	→
3:	9.3	→
4:	8.0	↗
5:	9.7	↘
<b>Serie</b>		<b>45</b>
<b>Total</b>		<b>0</b>



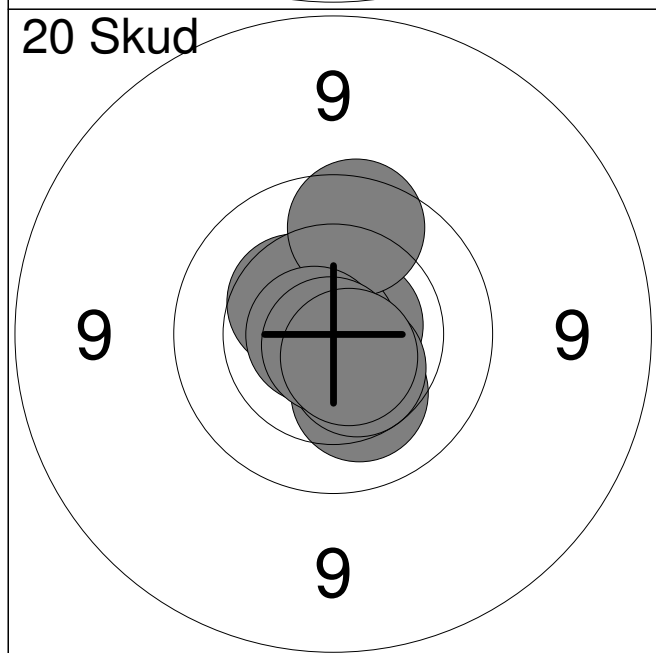
1:	8.9	↘
2:	9.1	↗
3:	9.2	↗
4:	10.0	↘
5:	10.4	↘
6:	10.7x	→
7:	9.4	↘
8:	10.7x	←
9:	9.5	→
10:	9.0	↘
<b>Serie</b>		<b>93</b>
<b>Total</b>		<b>93</b>



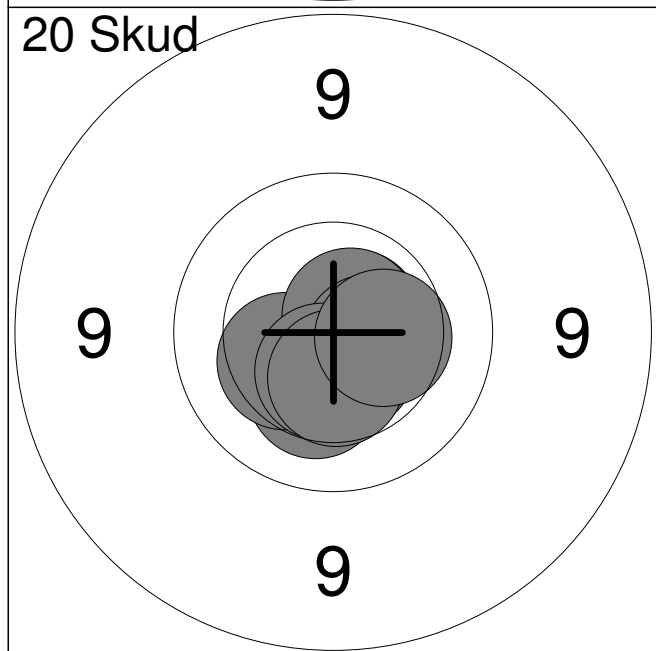
11:	10.0	↘
12:	9.9	↘
13:	8.5	↗
14:	9.0	↗
15:	10.0	↘
16:	9.5	↗
17:	7.9	↗
18:	10.7x	←
19:	10.3	←
20:	10.5	←
<b>Serie</b>		<b>92</b>
<b>Total</b>		<b>185</b>



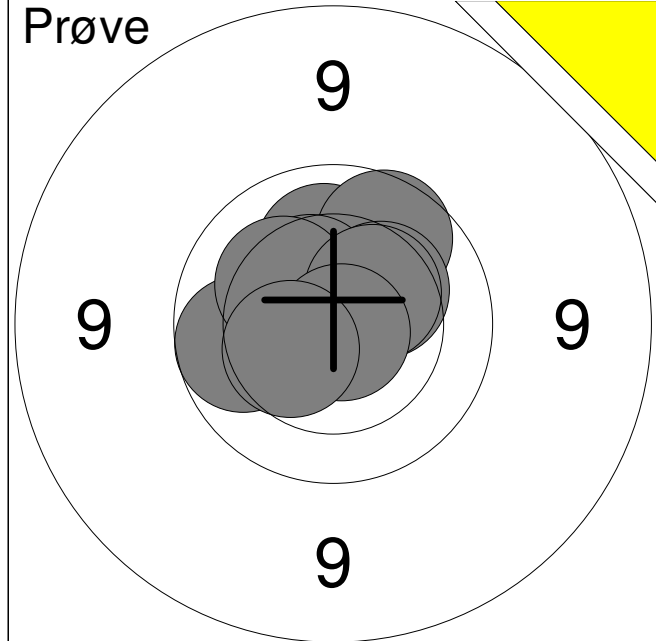
1:	9.4	↗
2:	9.9	↑
3:	9.8	↖
4:	10.5x	↑
5:	10.8x	↖
6:	10.3	↗
7:	10.7x	↖
8:	10.5x	↑
9:	10.6x	↗
<b>Serie</b>		<b>87</b>
<b>Total</b>		<b>0</b>



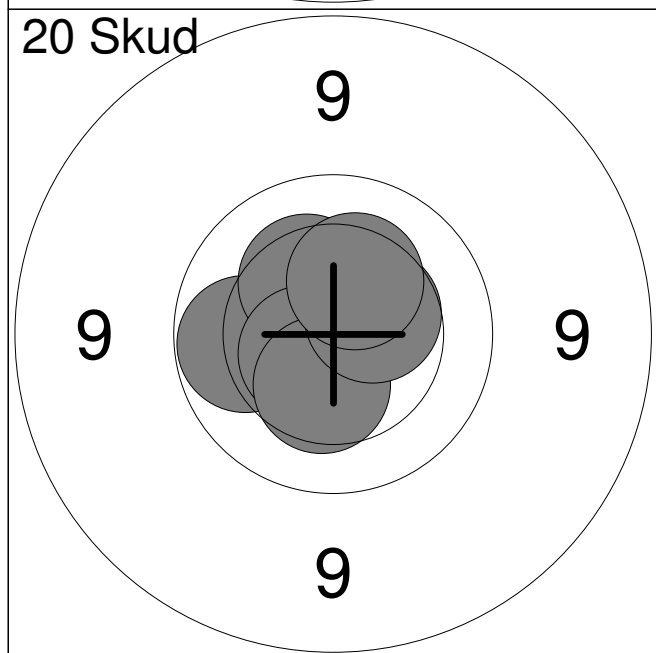
1:	10.7x	↗
2:	10.7x	↗
3:	10.4	↗
4:	10.9x	↖
5:	9.8	↑
6:	10.7x	↖
7:	10.2	↘
8:	10.5	↘
9:	10.8x	↘
10:	10.6x	↘
<b>Serie</b>		<b>99</b>
<b>Total</b>		<b>99</b>



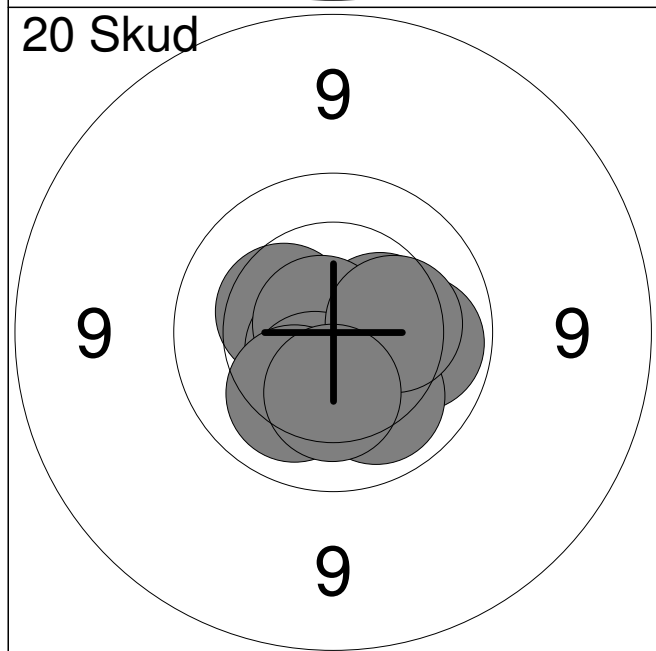
11:	10.5x	↘
12:	10.7x	↗
13:	10.3	↘
14:	10.3	↖
15:	10.7x	↗
16:	10.6x	↘
17:	10.5x	→
18:	10.5x	↘
19:	10.4	↘
20:	10.4	→
<b>Serie</b>		<b>100</b>
<b>Total</b>		<b>199</b>



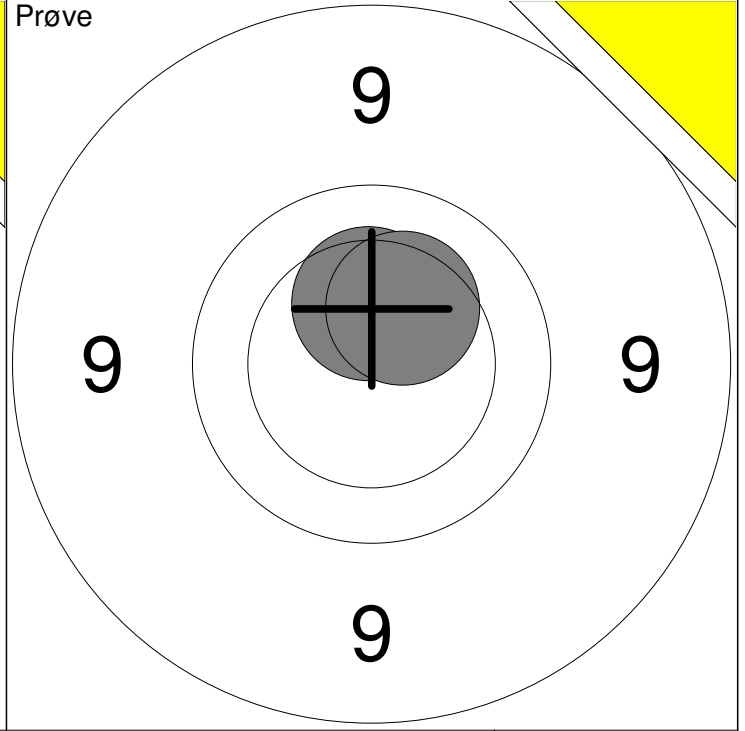
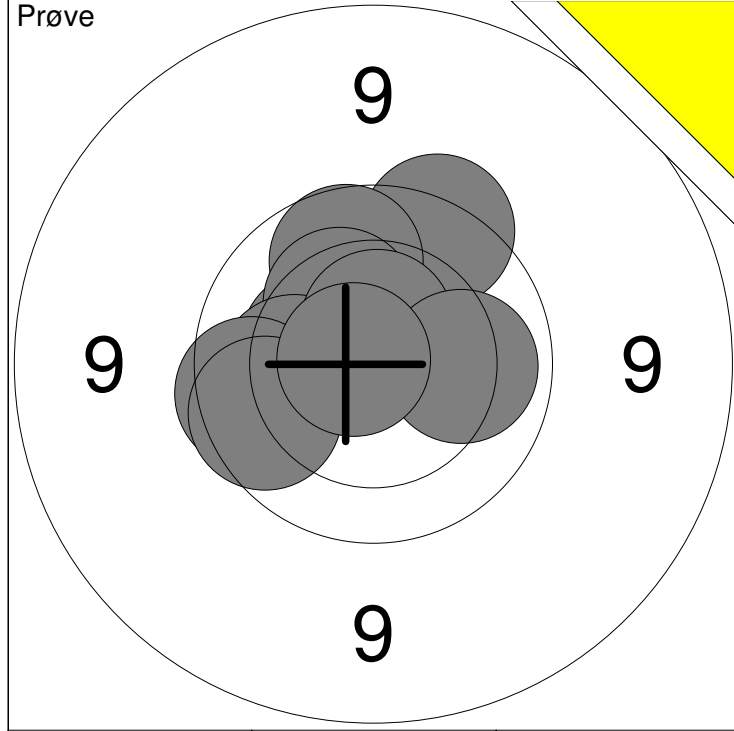
1:	9.9	←
2:	10.2	↑
3:	9.9	↗
4:	10.3	↘
5:	10.4	↗
6:	10.2	↗
7:	10.4	↘
8:	10.8x	↘
9:	10.4	←
<b>Serie</b>		<b>88</b>
<b>Total</b>		<b>0</b>



1:	10.5x	←
2:	10.7x	←
3:	10.0	←
4:	10.8x	↗
5:	10.5x	↑
6:	10.3	↗
7:	10.6x	←
8:	10.4	↓
9:	10.5	↗
10:	10.3	↑
<b>Serie</b>		<b>100</b>
<b>Total</b>		<b>100</b>

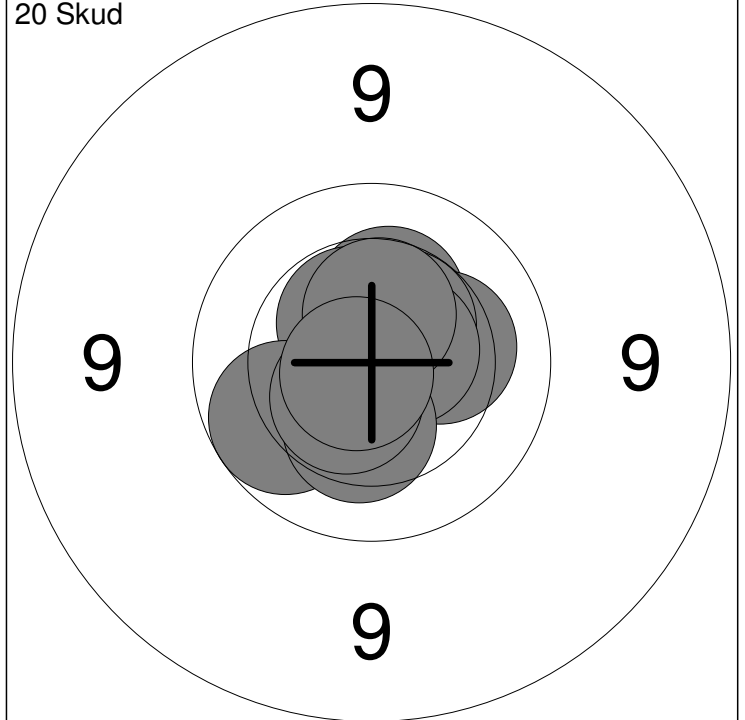
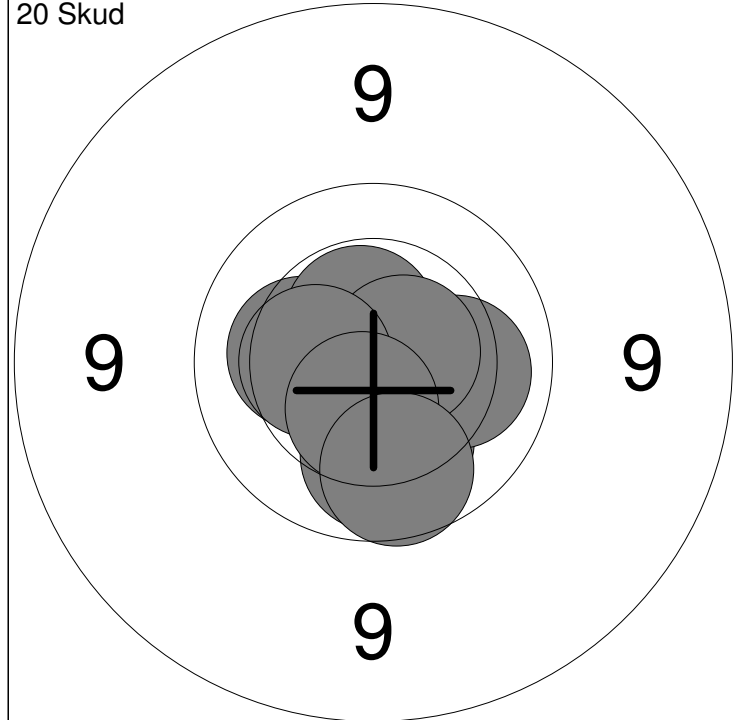


11:	10.4	→
12:	10.4	←
13:	10.7x	←
14:	10.0	→
15:	10.8x	↗
16:	10.1	↘
17:	10.4	↓
18:	10.3	→
19:	10.1	↘
20:	10.3	↓
<b>Serie</b>		<b>100</b>
<b>Total</b>		<b>200</b>



1: 9.7 ↗	6: 10.6x ↑	Serie	96
2: 9.9 ↑	7: 10.1 →		
3: 10.4 ↖	8: 9.8 ←	Total	0
4: 10.3 ↗	9: 9.9 ←		
5: 10.2 ←	10: 10.8x ←		

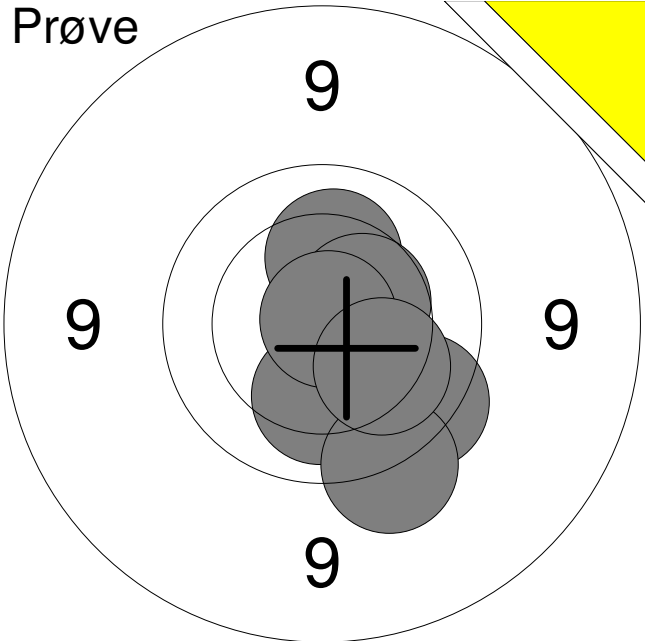
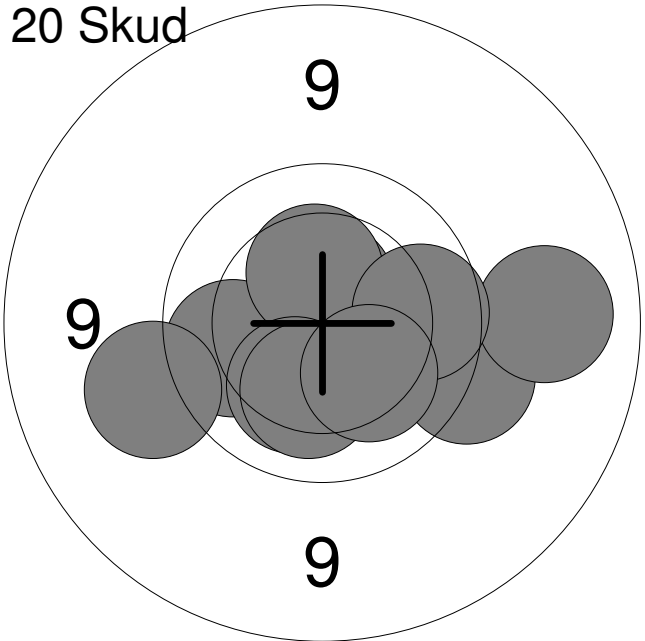
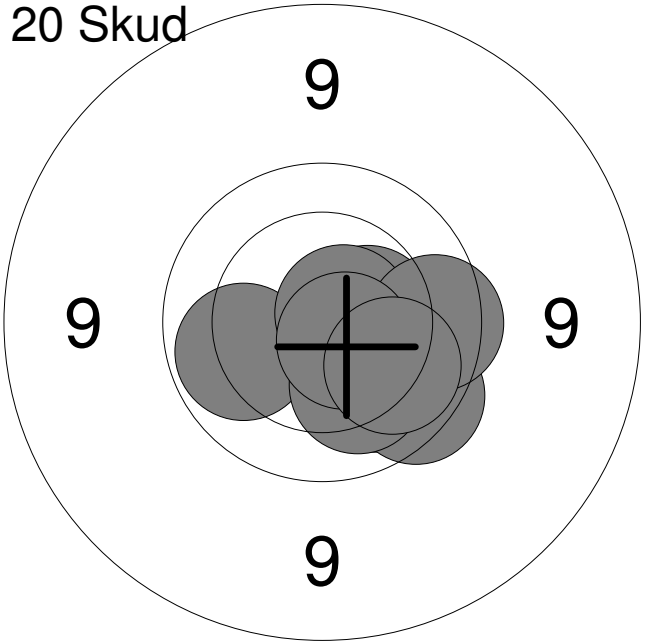
11: 10.4 ↑	Serie	20
12: 10.3 ↗		
Total		0



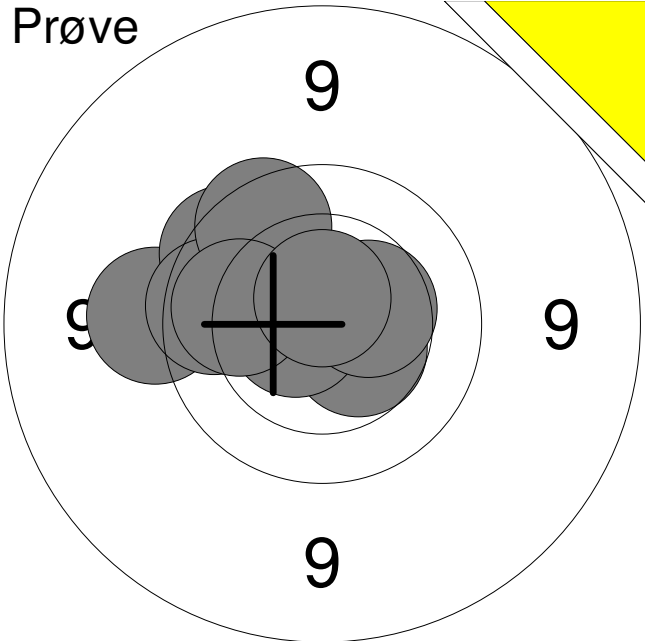
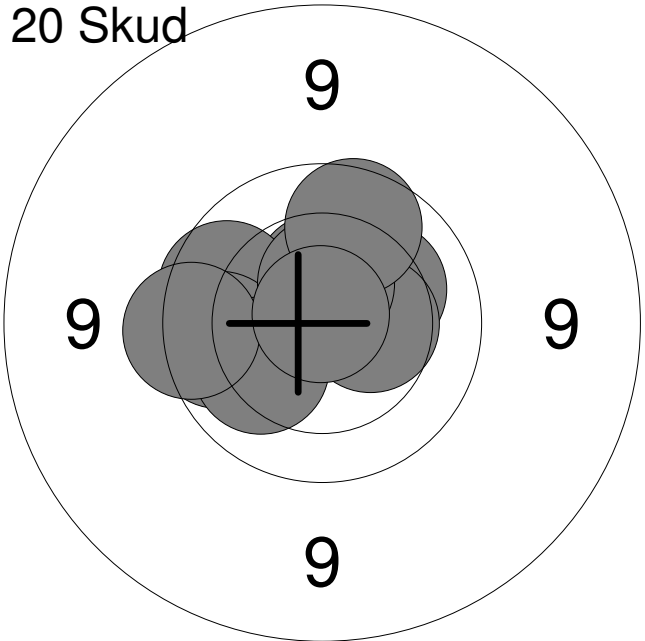
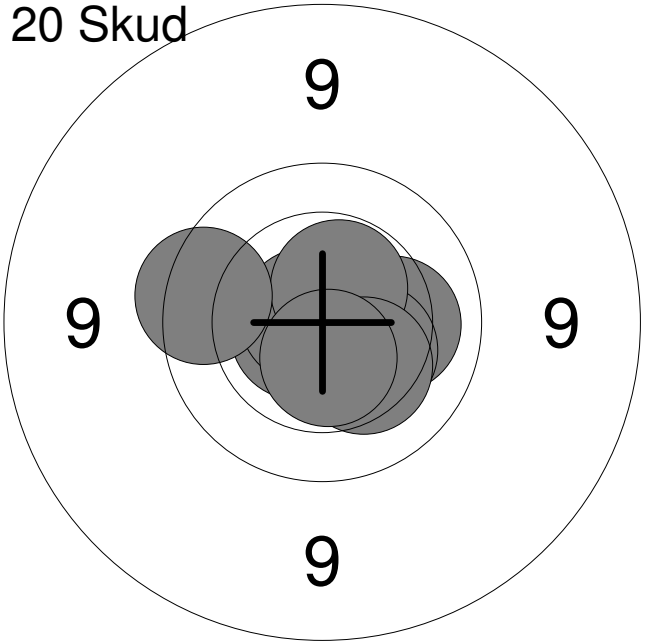
1: 10.4 →	6: 10.2 →	Serie	99
2: 10.0 ↓	7: 10.6x →		
3: 10.3 ←	8: 10.4 ←	Total	99
4: 10.5x ↗	9: 10.5 ↓		
5: 10.2 ↓	10: 9.9 ↓		

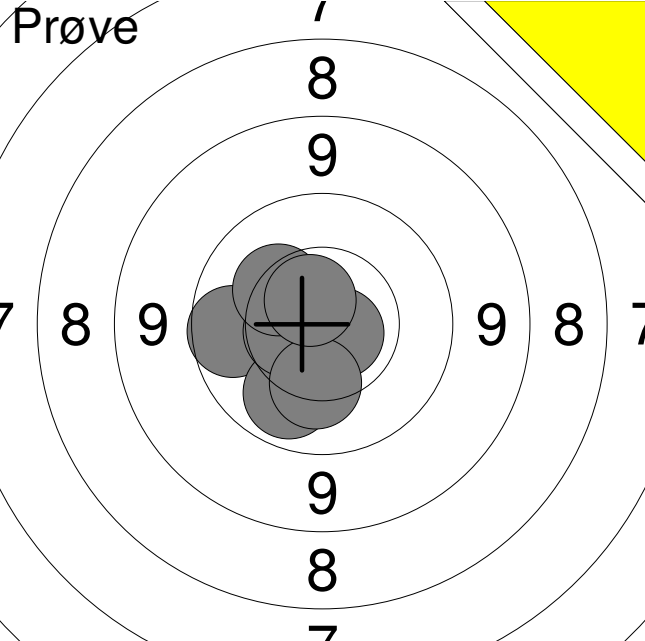
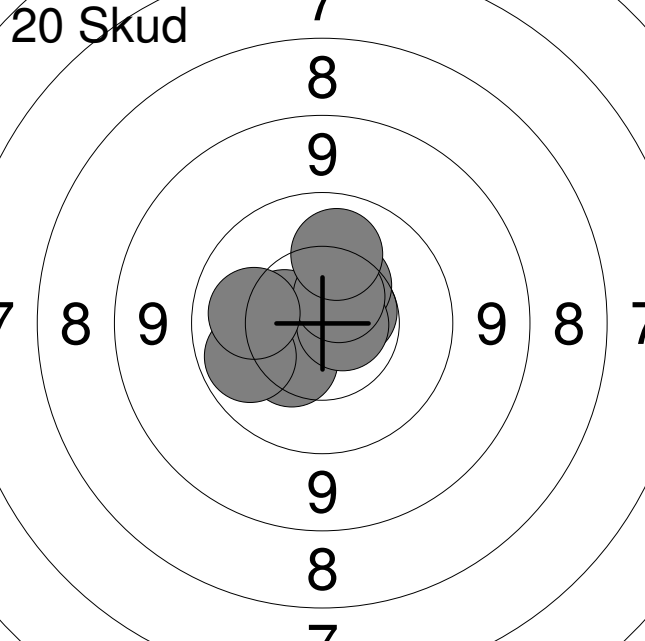
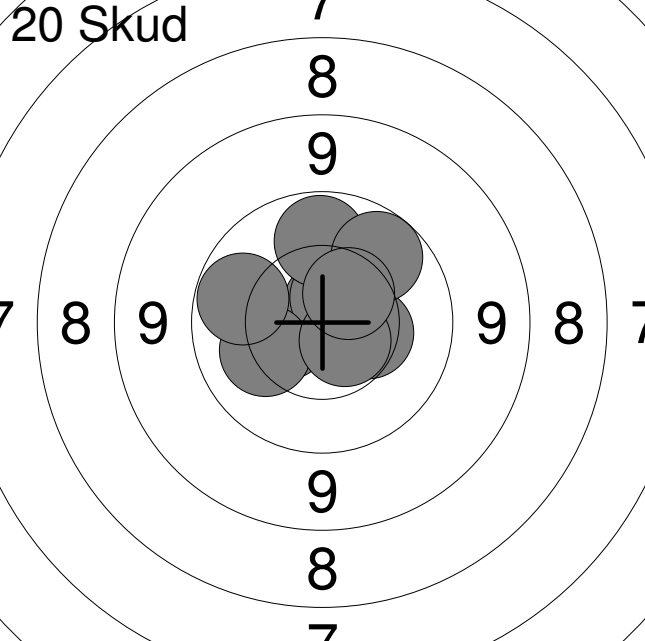
11: 10.3 ↑	16: 10.0 ←	Serie	100
12: 10.3 →	17: 10.3 ↓		
13: 10.5x ↗	18: 10.5x ↘	Total	199
14: 10.6x →	19: 10.5 ↑		
15: 10.5x ↗	20: 10.8x ↘		

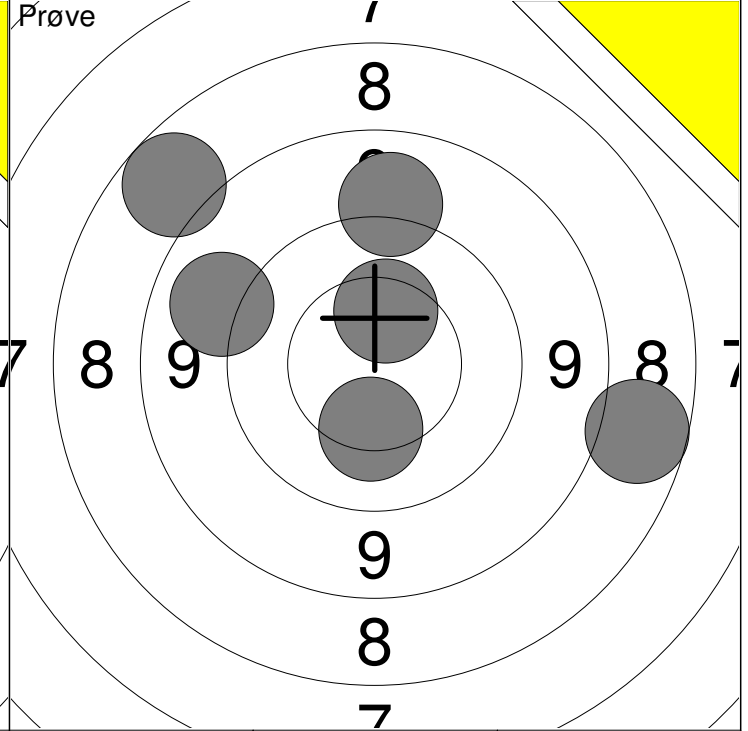
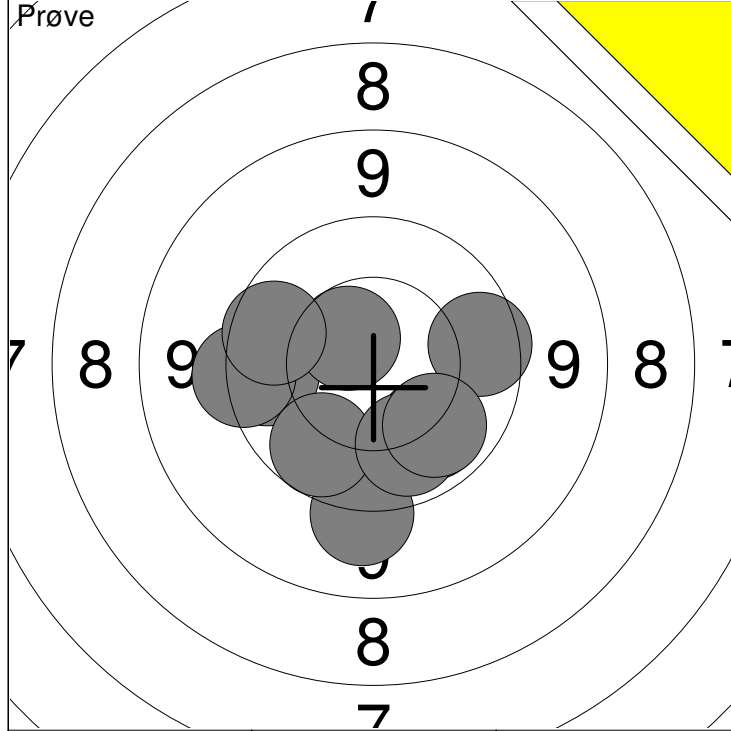


Hold <b>101</b>	Skive <b>1</b>	<b>Anton Christensen</b>		
Aalborg		Frederikshavn Skyttekreds		MUS1
15.02.2018		Jyllandsstævnet		Aalborg Skyttekreds
<b>Prøve</b> 		1: 10.2 ↑ 2: 9.7 ↓ 3: 10.4 ↗ 4: 10.2 ↓ 5: 10.9x ↗ 6: 9.5 ↓ 7: 10.1 ↓		
		Serie		68
		Total		0
<b>20 Skud</b> 		1: 9.9 ← 2: 10.6x ↑ 3: 10.4 ↑ 4: 9.4 ← 5: 10.2 ↓ 6: 9.6 ↗ 7: 9.1 → 8: 10.2 ↓ 9: 9.9 → 10: 10.2 ↓		
		Serie		95
		Total		95
<b>20 Skud</b> 		11: 10.0 ← 12: 10.1 ↓ 13: 10.4 → 14: 9.9 ↓ 15: 10.7x ↗ 16: 9.8 ↓ 17: 9.8 → 18: 10.2 ↓ 19: 10.6x ↓ 20: 10.0 ↓		
		Serie		97
		Total		192

Hold <b>101</b>	Skive <b>2</b>	<b>Liva Møller</b>																																
Aalborg		Vilsted Skytteforening		BK1																														
15.02.2018		Jyllandsstævnet		Aalborg Skyttekreds																														
<b>Prøve</b>		<table border="0"> <tr><td>1:</td><td>9.1</td><td>→</td></tr> <tr><td>2:</td><td>10.3</td><td>↑</td></tr> <tr><td>3:</td><td>10.3</td><td>↑</td></tr> <tr><td>4:</td><td>10.1</td><td>↑</td></tr> <tr><td>5:</td><td>10.2</td><td>↓</td></tr> <tr><td>6:</td><td>10.9x</td><td>↑</td></tr> <tr><td>7:</td><td>10.5</td><td>←</td></tr> <tr><td>8:</td><td>10.5</td><td>↓</td></tr> </table>			1:	9.1	→	2:	10.3	↑	3:	10.3	↑	4:	10.1	↑	5:	10.2	↓	6:	10.9x	↑	7:	10.5	←	8:	10.5	↓						
1:	9.1	→																																
2:	10.3	↑																																
3:	10.3	↑																																
4:	10.1	↑																																
5:	10.2	↓																																
6:	10.9x	↑																																
7:	10.5	←																																
8:	10.5	↓																																
		<table border="0"> <tr><td>Serie</td><td colspan="2">79</td></tr> <tr><td>Total</td><td colspan="2">0</td></tr> </table>			Serie	79		Total	0																									
Serie	79																																	
Total	0																																	
<b>20 Skud</b>		<table border="0"> <tr><td>1:</td><td>10.2</td><td>↗</td></tr> <tr><td>2:</td><td>10.5</td><td>←</td></tr> <tr><td>3:</td><td>10.8x</td><td>→</td></tr> <tr><td>4:</td><td>10.8x</td><td>↘</td></tr> <tr><td>5:</td><td>10.5</td><td>→</td></tr> <tr><td>6:</td><td>10.7x</td><td>↘</td></tr> <tr><td>7:</td><td>10.7x</td><td>↓</td></tr> <tr><td>8:</td><td>10.5</td><td>↘</td></tr> <tr><td>9:</td><td>10.5</td><td>←</td></tr> <tr><td>10:</td><td>10.5</td><td>↑</td></tr> </table>			1:	10.2	↗	2:	10.5	←	3:	10.8x	→	4:	10.8x	↘	5:	10.5	→	6:	10.7x	↘	7:	10.7x	↓	8:	10.5	↘	9:	10.5	←	10:	10.5	↑
1:	10.2	↗																																
2:	10.5	←																																
3:	10.8x	→																																
4:	10.8x	↘																																
5:	10.5	→																																
6:	10.7x	↘																																
7:	10.7x	↓																																
8:	10.5	↘																																
9:	10.5	←																																
10:	10.5	↑																																
		<table border="0"> <tr><td>Serie</td><td colspan="2">100</td></tr> <tr><td>Total</td><td colspan="2">100</td></tr> </table>			Serie	100		Total	100																									
Serie	100																																	
Total	100																																	
<b>20 Skud</b>		<table border="0"> <tr><td>11:</td><td>10.1</td><td>↓</td></tr> <tr><td>12:</td><td>10.8x</td><td>↘</td></tr> <tr><td>13:</td><td>10.6</td><td>↓</td></tr> <tr><td>14:</td><td>10.8x</td><td>→</td></tr> <tr><td>15:</td><td>10.6</td><td>→</td></tr> <tr><td>16:</td><td>10.5</td><td>↗</td></tr> <tr><td>17:</td><td>9.5</td><td>↑</td></tr> <tr><td>18:</td><td>10.5</td><td>↗</td></tr> <tr><td>19:</td><td>10.6x</td><td>↘</td></tr> <tr><td>20:</td><td>10.7x</td><td>↘</td></tr> </table>			11:	10.1	↓	12:	10.8x	↘	13:	10.6	↓	14:	10.8x	→	15:	10.6	→	16:	10.5	↗	17:	9.5	↑	18:	10.5	↗	19:	10.6x	↘	20:	10.7x	↘
11:	10.1	↓																																
12:	10.8x	↘																																
13:	10.6	↓																																
14:	10.8x	→																																
15:	10.6	→																																
16:	10.5	↗																																
17:	9.5	↑																																
18:	10.5	↗																																
19:	10.6x	↘																																
20:	10.7x	↘																																
		<table border="0"> <tr><td>Serie</td><td colspan="2">99</td></tr> <tr><td>Total</td><td colspan="2">199</td></tr> </table>			Serie	99		Total	199																									
Serie	99																																	
Total	199																																	

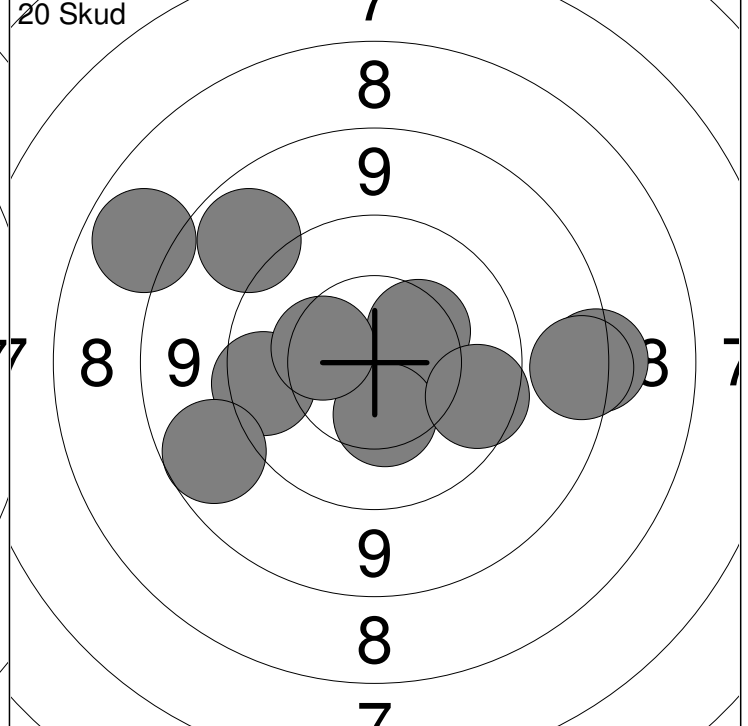
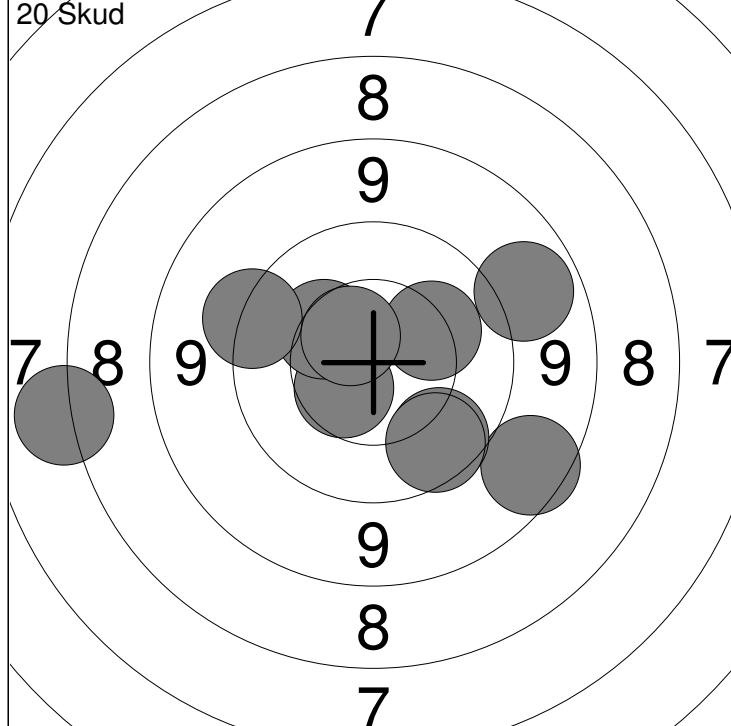
Hold	Skive	Lars P M Jakobsen		
101	3	Aalborg	Vilsted Skytteforening	VÅ1
15.02.2018	Jyllandsstævnet	Aalborg Skyttekreds		
<b>Prøve</b>		1:	10.5	↘
		2:	9.5	←
		3:	9.8	←
		4:	10.7x	←
		5:	9.8	↗
		6:	9.8	←
		7:	9.8	↗
		8:	10.0	←
		9:	10.4	→
		10:	10.7x	↑
		<b>Serie</b>		<b>95</b>
		<b>Total</b>		<b>0</b>
<b>20 Skud</b>		1:	10.5	↑
		2:	9.9	←
		3:	9.9	←
		4:	10.2	↗
		5:	10.4	→
		6:	10.5x	↑
		7:	10.1	↙
		8:	9.9	↑
		9:	9.7	←
		10:	10.9x	↑
		<b>Serie</b>		<b>96</b>
		<b>Total</b>		<b>96</b>
<b>20 Skud</b>		11:	10.6x	↓
		12:	10.9x	↑
		13:	10.2	→
		14:	10.7x	←
		15:	10.8x	←
		16:	10.4	↘
		17:	10.5x	↗
		18:	9.8	←
		19:	10.3	↘
		20:	10.6x	↓
		<b>Serie</b>		<b>99</b>
		<b>Total</b>		<b>195</b>

Hold <b>101</b>	Skive <b>4</b>	<b>Niclas Pedersen</b>																																
Aalborg		Vilsted Skytteforening		FRI																														
15.02.2018		Jyllandsstævnet		Aalborg Skyttekreds																														
<b>Prøve</b>		<table border="0"> <tr><td>1:</td><td>9.9</td><td>←</td></tr> <tr><td>2:</td><td>10.0</td><td>↓</td></tr> <tr><td>3:</td><td>10.5</td><td>←</td></tr> <tr><td>4:</td><td>10.3</td><td>↗</td></tr> <tr><td>5:</td><td>10.7x</td><td>↘</td></tr> <tr><td>6:</td><td>10.2</td><td>↓</td></tr> <tr><td>7:</td><td>10.6x</td><td>↗</td></tr> </table>			1:	9.9	←	2:	10.0	↓	3:	10.5	←	4:	10.3	↗	5:	10.7x	↘	6:	10.2	↓	7:	10.6x	↗									
1:	9.9	←																																
2:	10.0	↓																																
3:	10.5	←																																
4:	10.3	↗																																
5:	10.7x	↘																																
6:	10.2	↓																																
7:	10.6x	↗																																
		Serie 69																																
		Total 0																																
<b>20 Skud</b>		<table border="0"> <tr><td>1:</td><td>10.3</td><td>↙</td></tr> <tr><td>2:</td><td>10.6x</td><td>→</td></tr> <tr><td>3:</td><td>10.5</td><td>←</td></tr> <tr><td>4:</td><td>10.4</td><td>↘</td></tr> <tr><td>5:</td><td>10.4</td><td>↗</td></tr> <tr><td>6:</td><td>10.0</td><td>←</td></tr> <tr><td>7:</td><td>10.7x</td><td>→</td></tr> <tr><td>8:</td><td>10.6</td><td>↗</td></tr> <tr><td>9:</td><td>10.1</td><td>←</td></tr> <tr><td>10:</td><td>10.1</td><td>↑</td></tr> </table>			1:	10.3	↙	2:	10.6x	→	3:	10.5	←	4:	10.4	↘	5:	10.4	↗	6:	10.0	←	7:	10.7x	→	8:	10.6	↗	9:	10.1	←	10:	10.1	↑
1:	10.3	↙																																
2:	10.6x	→																																
3:	10.5	←																																
4:	10.4	↘																																
5:	10.4	↗																																
6:	10.0	←																																
7:	10.7x	→																																
8:	10.6	↗																																
9:	10.1	←																																
10:	10.1	↑																																
		Serie 100																																
		Total 100																																
<b>20 Skud</b>		<table border="0"> <tr><td>11:</td><td>10.5</td><td>←</td></tr> <tr><td>12:</td><td>10.7x</td><td>↗</td></tr> <tr><td>13:</td><td>10.6x</td><td>↗</td></tr> <tr><td>14:</td><td>10.4</td><td>→</td></tr> <tr><td>15:</td><td>10.2</td><td>←</td></tr> <tr><td>16:</td><td>10.0</td><td>←</td></tr> <tr><td>17:</td><td>10.6x</td><td>↘</td></tr> <tr><td>18:</td><td>10.0</td><td>↑</td></tr> <tr><td>19:</td><td>9.9</td><td>↗</td></tr> <tr><td>20:</td><td>10.5</td><td>↗</td></tr> </table>			11:	10.5	←	12:	10.7x	↗	13:	10.6x	↗	14:	10.4	→	15:	10.2	←	16:	10.0	←	17:	10.6x	↘	18:	10.0	↑	19:	9.9	↗	20:	10.5	↗
11:	10.5	←																																
12:	10.7x	↗																																
13:	10.6x	↗																																
14:	10.4	→																																
15:	10.2	←																																
16:	10.0	←																																
17:	10.6x	↘																																
18:	10.0	↑																																
19:	9.9	↗																																
20:	10.5	↗																																
		Serie 99																																
		Total 199																																



1: 9.8 ←	6: 9.9 ←	Serie 94
2: 9.7 ←	7: 9.9 ↘	
3: 9.5 ↓	8: 10.0 ↓	Total 0
4: 9.8 →	9: 10.0 ↓	
5: 10.5x ↖	10: 10.0 ↓	

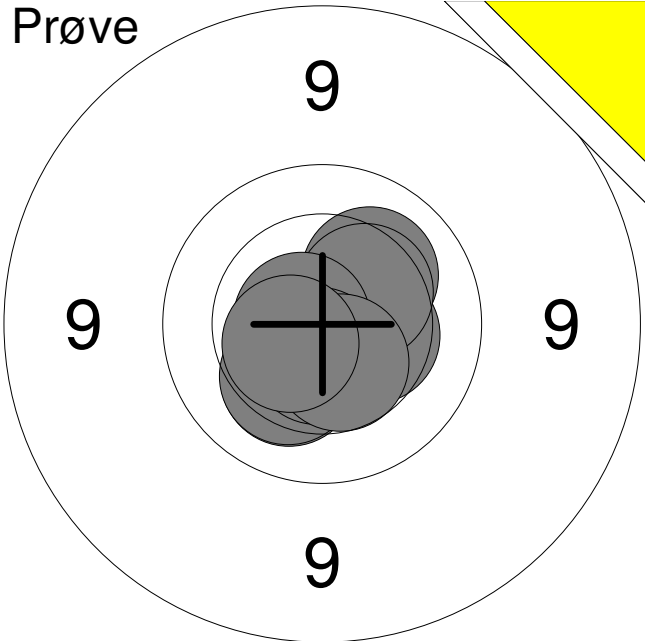
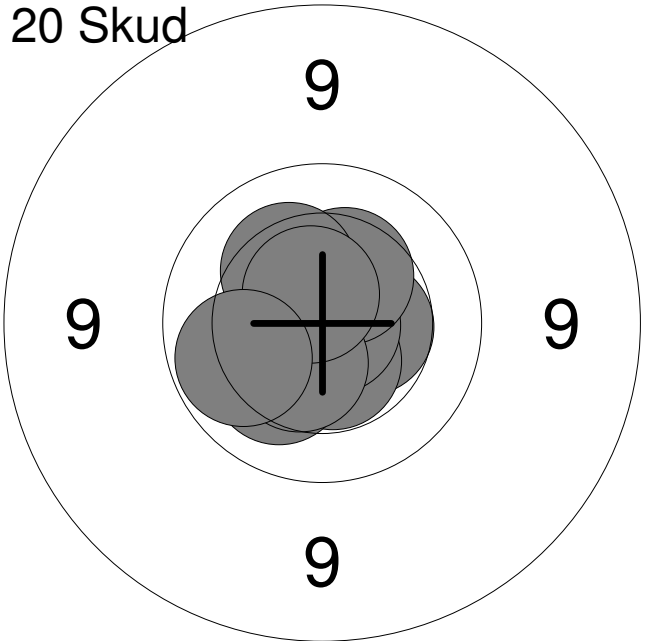
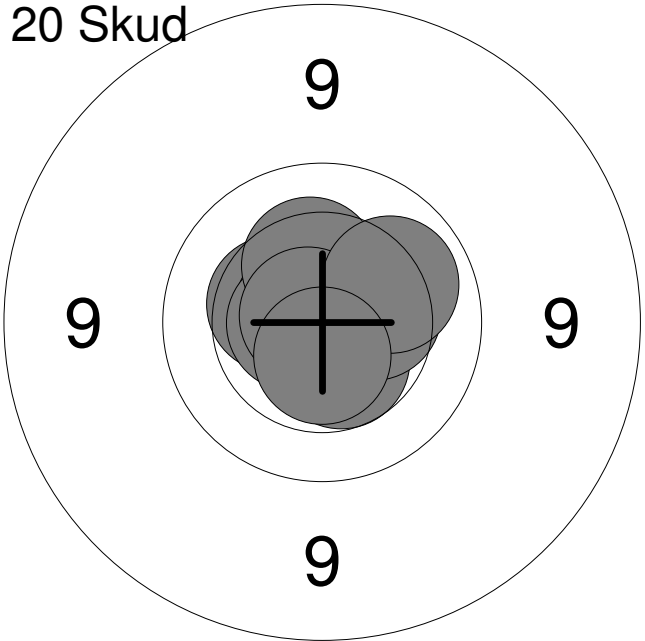
11: 9.2 ←	16: 10.3 ↓	Serie 53
12: 8.0 ↖		
13: 9.2 ↑		Total 0
14: 7.9 →		
15: 10.4 ↑		

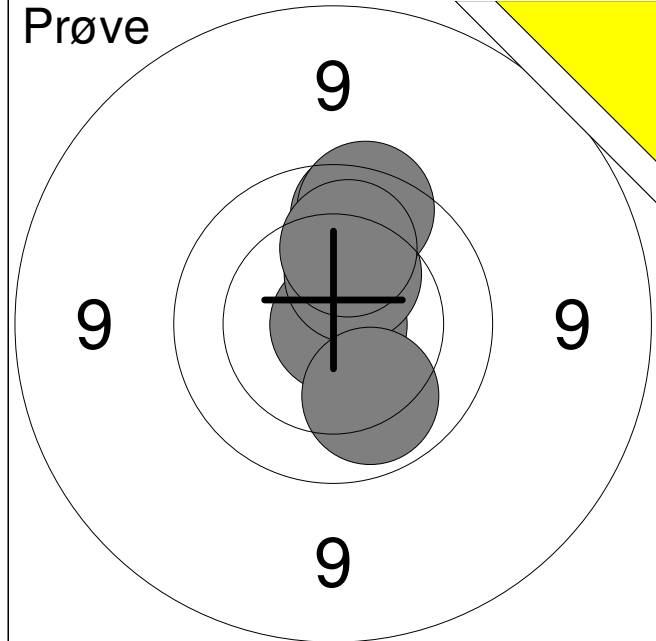


1: 8.8 ↘	6: 10.3 ↖	Serie 91
2: 7.3 ←	7: 10.2 →	
3: 9.0 →	8: 10.6 ↖	Total 91
4: 10.5 ↖	9: 9.8 ↓	
5: 9.9 ↓	10: 9.5 ←	

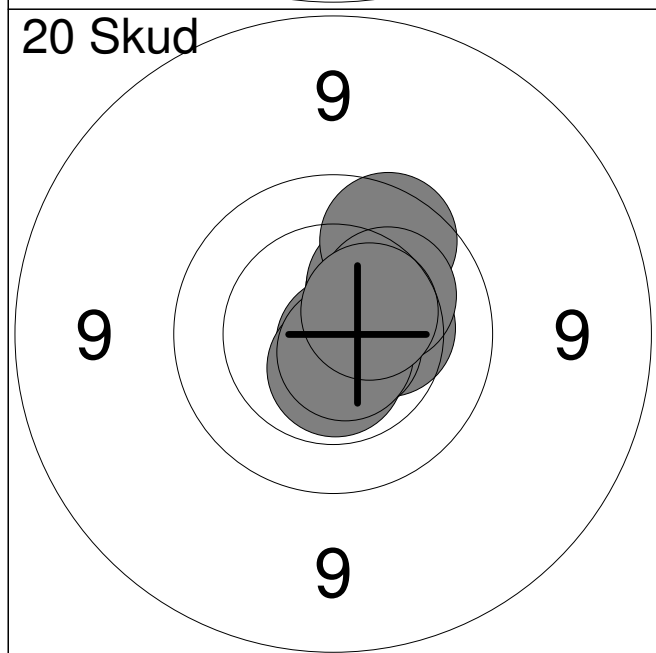
11: 10.4 ↗	16: 9.7 ←	Serie 89
12: 8.5 →	17: 9.8 →	
13: 9.0 ↖	18: 8.9 ←	Total 180
14: 8.0 ↖	19: 10.4 ←	
15: 10.4 ↓	20: 8.7 →	

Hold	Skive	Martin Jensen		
101	10	Aalborg	Løgstør Sportsskytteklub	US2
15.02.2018	Jyllandsstævnet	Aalborg Skyttekreds		
Prøve		1:	10.1	↗
		2:	9.8	↘
		3:	10.2	→
		4:	9.7	↗
		5:	10.6x	→
		6:	9.9	↗
		7:	8.7	→
		Serie	65	
		Total	0	
20 Skud		1:	9.8	↑
		2:	9.7	↘
		3:	10.2	↘
		4:	10.4	↘
		5:	10.8x	←
		6:	10.0	→
		7:	10.0	←
		8:	9.6	←
		9:	9.9	↘
		10:	10.3	↗
		Serie	96	
		Total	96	
20 Skud		11:	10.6x	↘
		12:	9.7	↘
		13:	9.8	↖
		14:	9.7	↗
		15:	10.4	↘
		16:	10.7x	↑
		17:	10.2	↘
		18:	9.6	→
		19:	10.6x	↘
		20:	10.5x	←
		Serie	96	
		Total	192	

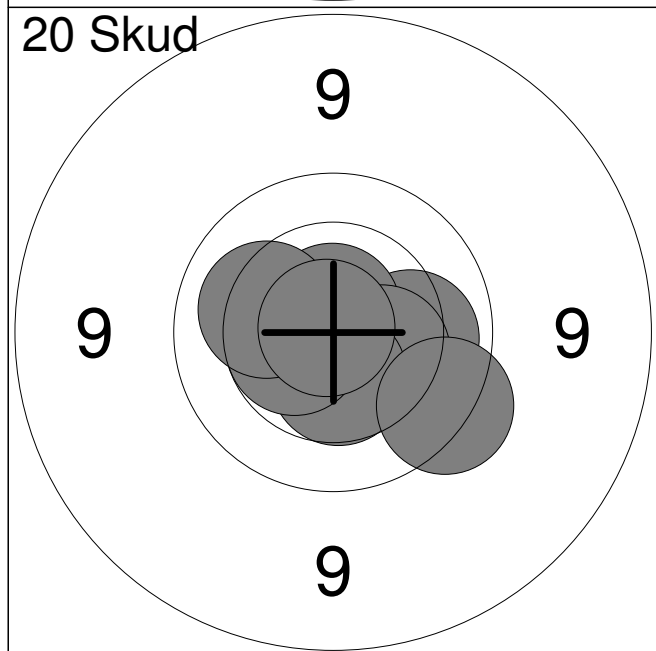
Hold	Skive	Lotte B. Larsen		
101	11	Frederikshavn Skyttekreds		MVÅ1
15.02.2018	Jyllandsstævnet	Aalborg Skyttekreds		
<b>Prøve</b> 	1:	10.3	↙	
	2:	10.3	↙	
	3:	10.8x	↘	
	4:	10.4	→	
	5:	10.2	↗	
	6:	10.4	↗	
	7:	10.7x	←	
	8:	10.6x	↓	
	9:	10.5	↓	
	10:	10.5x	↙	
	Serie			100
Total			0	
<b>20 Skud</b> 	1:	10.5	→	
	2:	10.5x	↓	
	3:	10.9x	→	
	4:	10.8x	→	
	5:	10.2	↙	
	6:	10.4	↗	
	7:	10.3	↗	
	8:	10.4	↓	
	9:	10.6x	↗	
	10:	10.0	↙	
	Serie			100
Total			100	
<b>20 Skud</b> 	11:	10.5	↓	
	12:	10.4	←	
	13:	10.7x	↗	
	14:	10.7x	↗	
	15:	10.4	→	
	16:	10.6x	←	
	17:	10.3	↑	
	18:	10.8x	↙	
	19:	10.1	↗	
	20:	10.6x	↓	
	Serie			100
Total			200	



1:	9.8	↑
2:	10.9x	→
3:	10.4	↑
4:	10.1	↓
5:	9.8	↑
6:	10.1	↑
<b>Serie</b>		<b>58</b>
<b>Total</b>		<b>0</b>

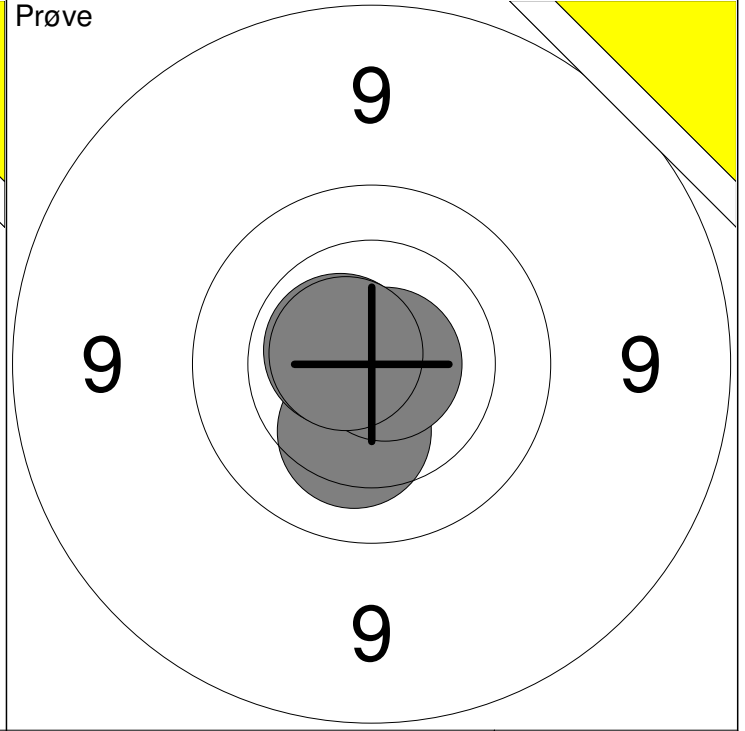
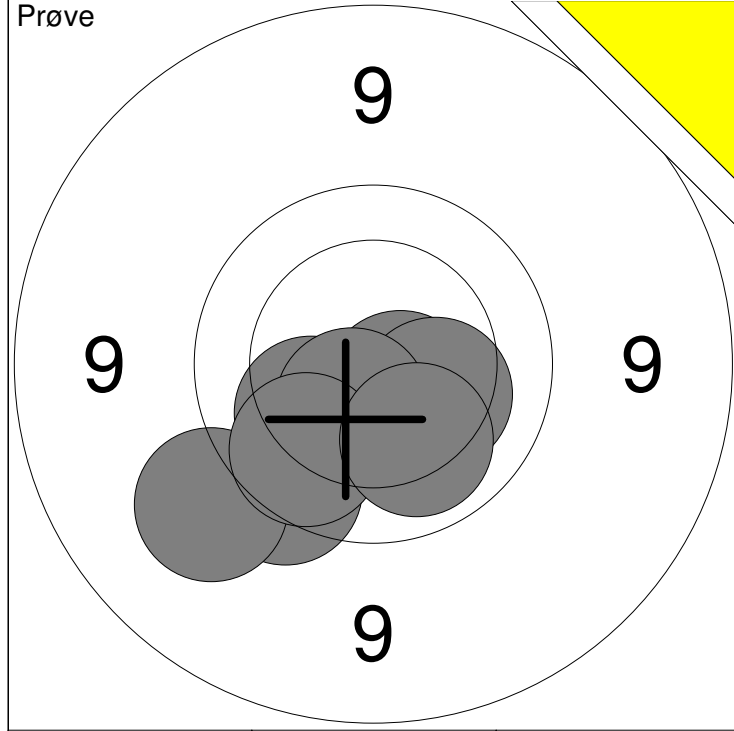


1:	10.3	↗
2:	10.4	→
3:	10.2	↗
4:	9.8	↑
5:	10.8x	↘
6:	10.7x	↘
7:	10.6x	↓
8:	10.2	↗
9:	10.7x	↘
10:	10.5	↗
<b>Serie</b>		<b>99</b>
<b>Total</b>		<b>99</b>



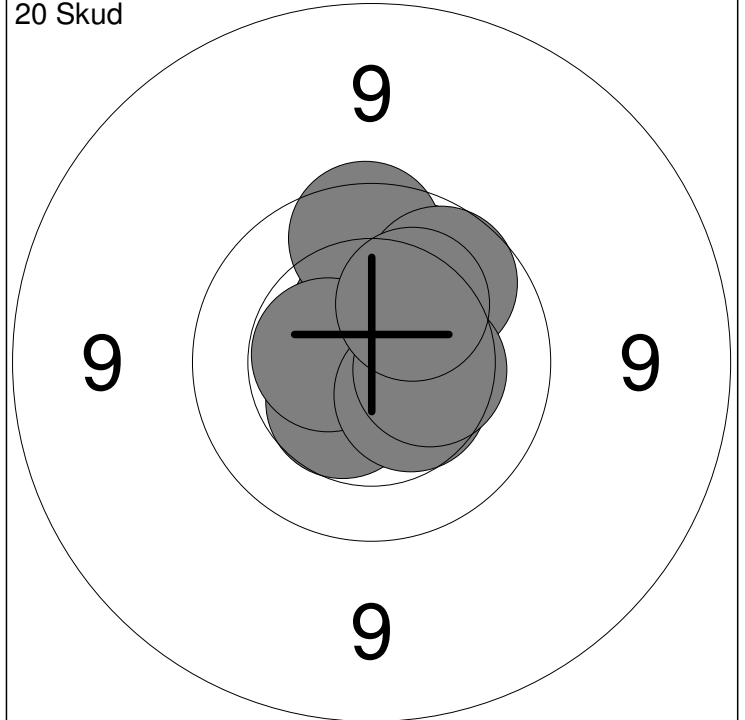
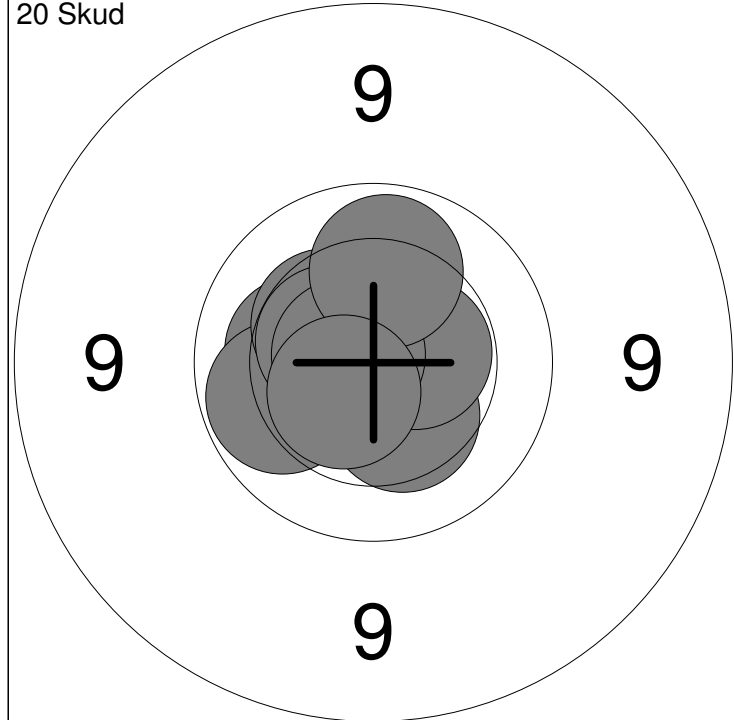
11:	10.7x	↘
12:	10.1	→
13:	10.7x	←
14:	10.7x	↑
15:	10.4	↘
16:	10.5	↓
17:	10.5x	←
18:	9.7	↘
19:	10.2	←
20:	10.9x	↗
<b>Serie</b>		<b>99</b>
<b>Total</b>		<b>198</b>





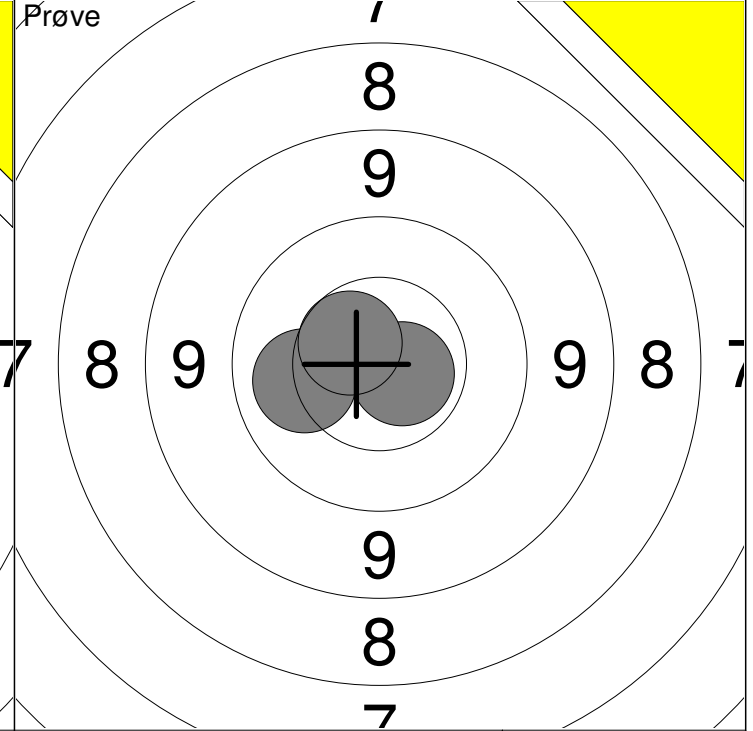
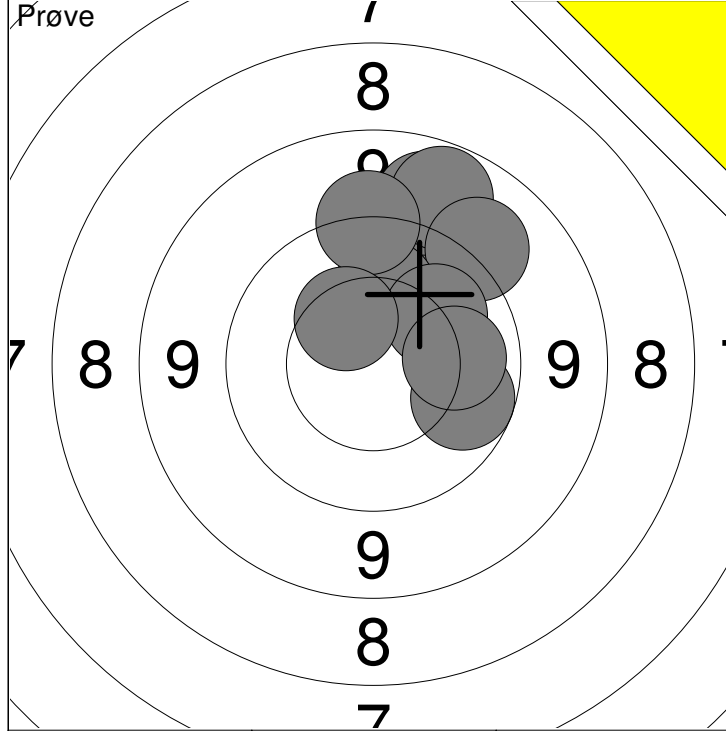
1: 10.3 ↘	6: 10.5x ↘	Serie	87
2: 10.6x ↘	7: 9.3 ↙		
3: 10.3 →	9: 9.9 ↘	Total	0
4: 9.7 ↘	10: 10.1 ↘		
5: 10.2 ↙			

11: 10.3 ↘	Serie	40
12: 10.6x ↙		
13: 10.8x →	Total	0
14: 10.7x ↙		



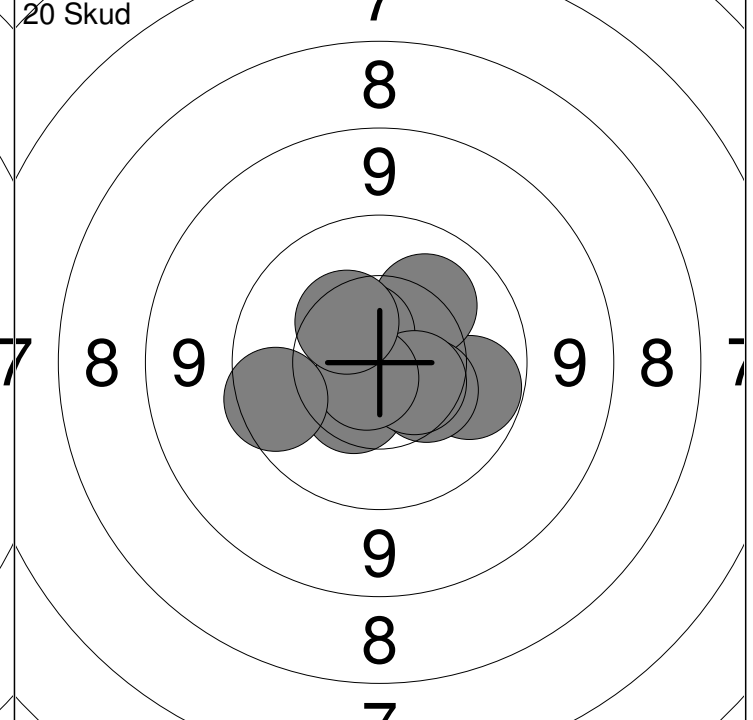
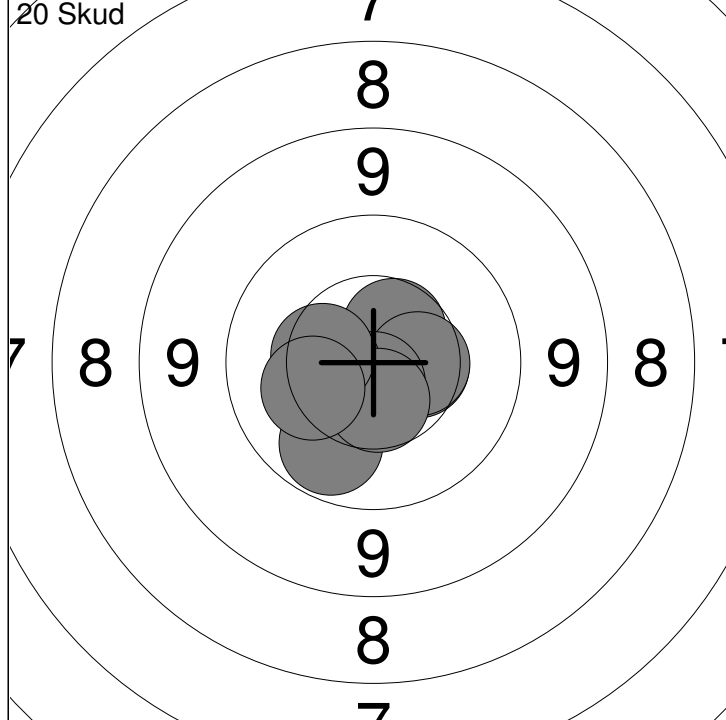
1: 10.4 ↘	6: 10.8x ←	Serie	100
2: 10.2 ←	7: 10.5x →		
3: 10.0 ←	8: 10.7x ←	Total	100
4: 10.4 ↗	9: 10.1 ↑		
5: 10.5x ↙	10: 10.5x ↘		

11: 10.0 ↗	16: 10.5x ←	Serie	98
12: 10.6x ↘	17: 10.5 ↘		
13: 10.5 ↘	18: 9.9 ↗	Total	198
14: 10.5x ↑	19: 10.4 →		
15: 9.8 ↑	20: 10.3 ↗		



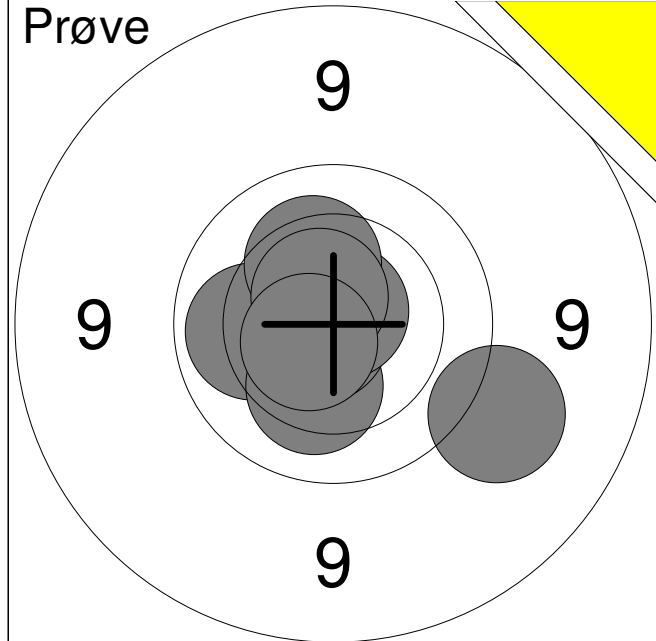
1: 9.2 ↗	6: 9.4 ↑	Serie	94
2: 9.1 ↑	7: 10.1 ↗		
3: 9.0 ↑	8: 9.9 →	Total	0
4: 9.3 ↗	9: 10.1 →		
5: 10.2 ↑	10: 10.4 ↖		

11: 10.1 ←	Serie	30
12: 10.7x →		
13: 10.6 ↖	Total	0

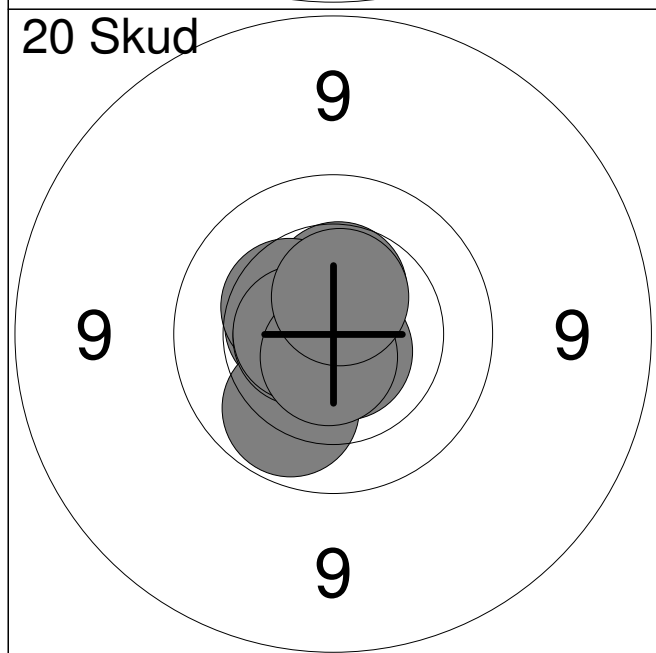


1: 10.5 →	6: 10.5 ←	Serie	100
2: 10.9x ↓	7: 10.0 ↓		
3: 10.6 ↗	8: 10.6 ↓	Total	100
4: 10.5 →	9: 10.4 ←		
5: 10.7x ↓	10: 10.3 ←		

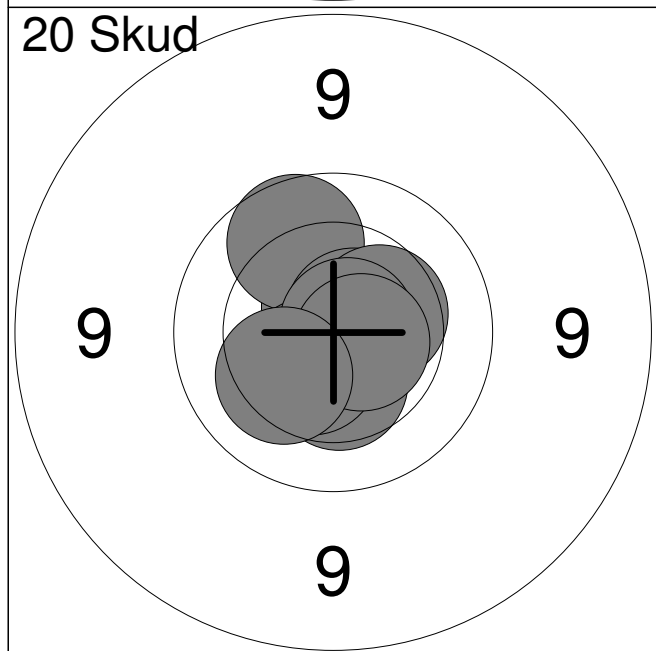
11: 10.5 ↓	16: 10.4 →	Serie	99
12: 10.0 →	17: 10.5 ↓		
13: 10.2 ↗	18: 10.7x ↓	Total	199
14: 10.9x ←	19: 10.4 ↖		
15: 10.6x ↖	20: 9.8 ←		



1:	9.3	➔
2:	10.1	←
3:	10.2	↓
4:	10.8x	↙
5:	10.8x	↗
6:	10.3	↑
7:	10.6x	↗
8:	10.6x	↙
<b>Serie</b>		<b>79</b>
<b>Total</b>		<b>0</b>

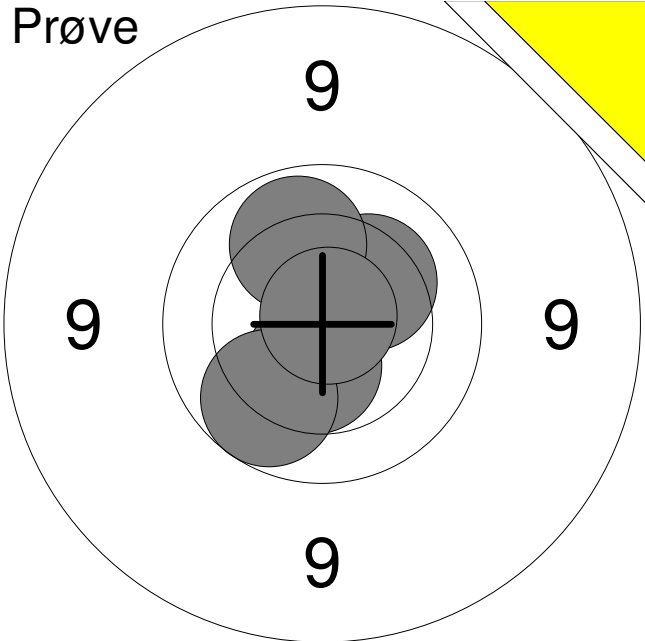


1:	10.5	↑
2:	10.7x	↓
3:	10.8x	↗
4:	10.5x	←
5:	10.4	↗
6:	10.0	↓
7:	10.6x	←
8:	10.6x	←
9:	10.7x	↓
10:	10.5x	↑
<b>Serie</b>		<b>100</b>
<b>Total</b>		<b>100</b>



11:	10.7x	↑
12:	9.9	↑
13:	10.7x	↗
14:	10.6x	↓
15:	10.4	↓
16:	10.5x	↙
17:	10.4	↗
18:	10.8x	↗
19:	10.6x	➔
20:	10.2	↙
<b>Serie</b>		<b>99</b>
<b>Total</b>		<b>199</b>

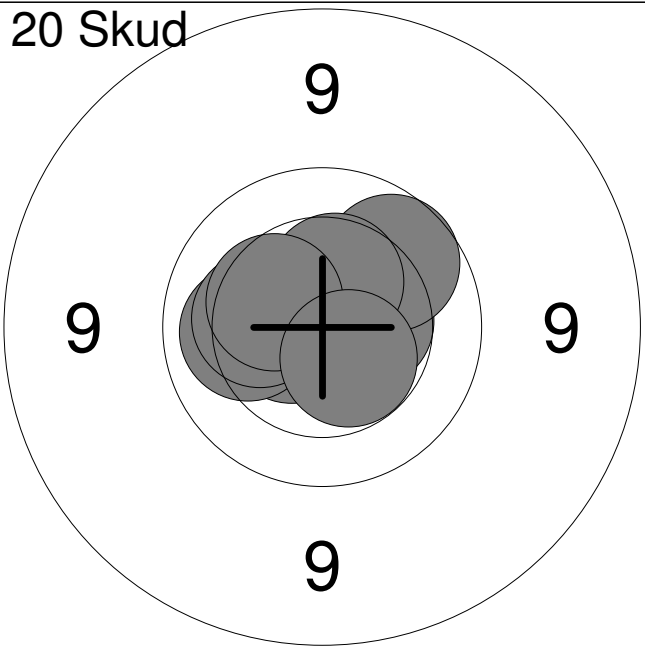
**Prøve**



1:	10.5	↓
2:	9.9	↙
3:	10.3	↗
4:	10.0	↑
5:	10.8x	↗

Serie	49
Total	0

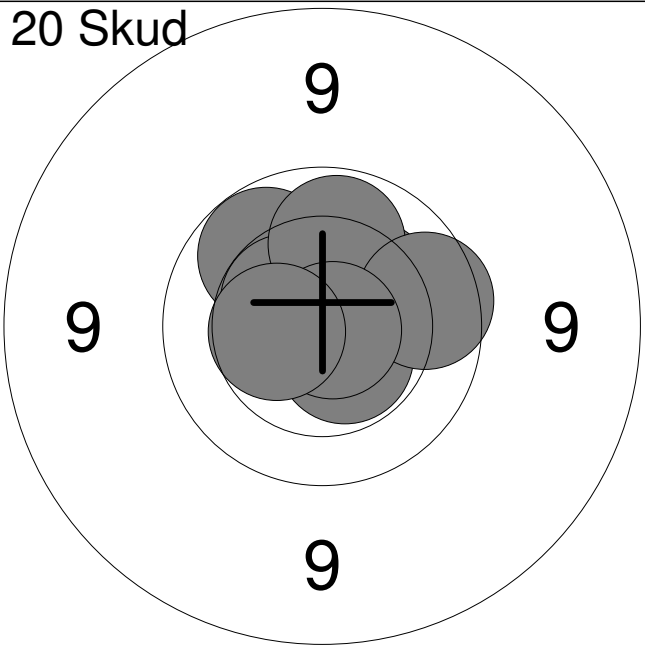
**20 Skud**



1:	10.8x	↗
2:	10.6x	←
3:	10.5	→
4:	10.9x	↖
5:	9.9	↗
6:	10.4	↑
7:	10.1	←
8:	10.3	←
9:	10.4	↖
10:	10.5x	↓

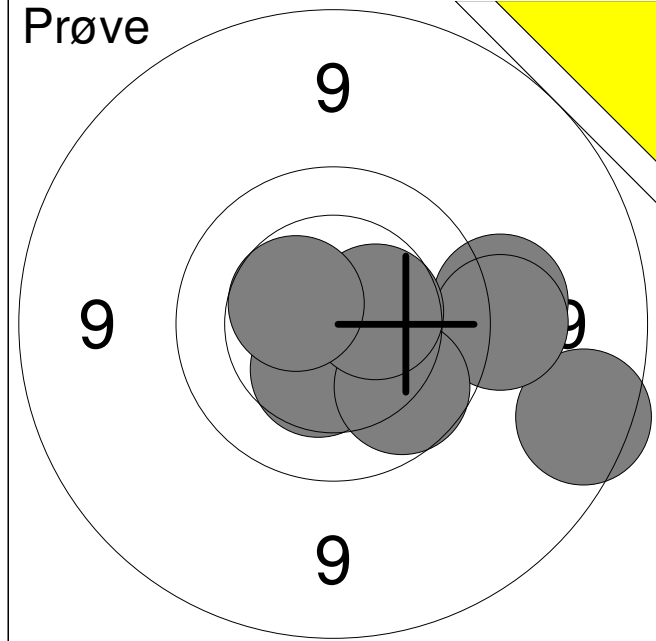
Serie	99
Total	99

**20 Skud**

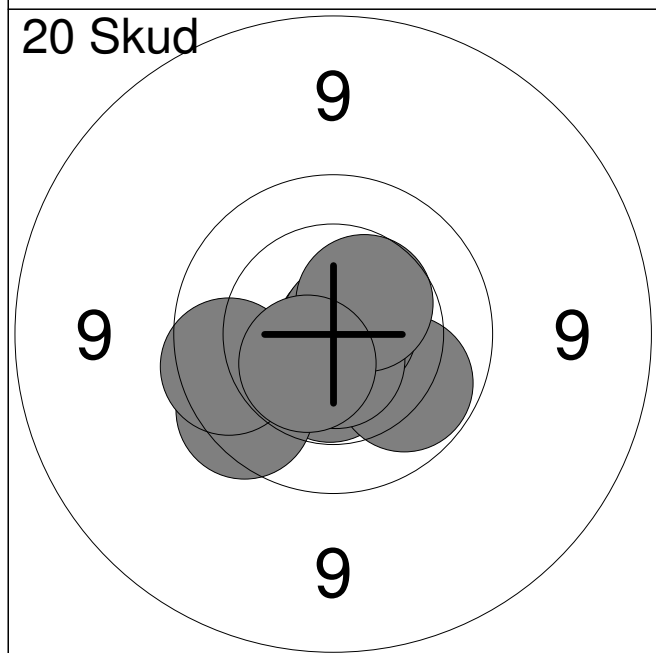


11:	10.0	↖
12:	10.3	↗
13:	10.5x	↖
14:	10.4	↗
15:	10.5x	↘
16:	10.4	↑
17:	10.0	↑
18:	9.9	→
19:	10.8x	→
20:	10.4	←

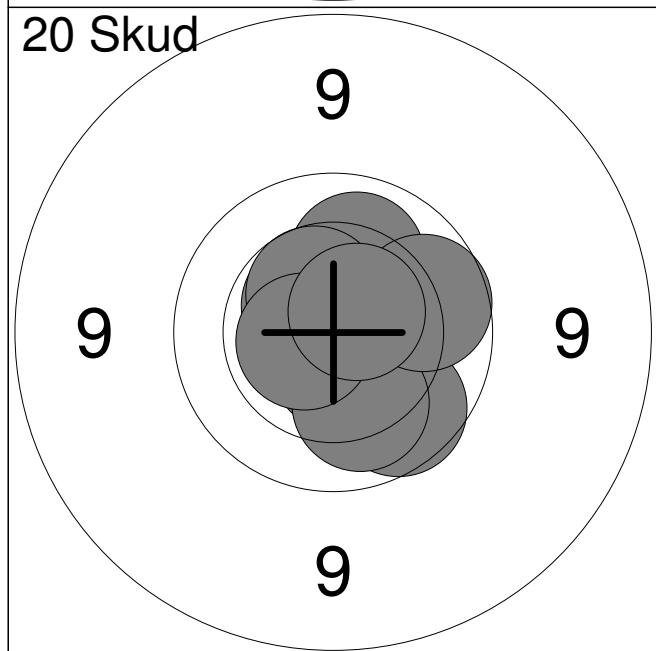
Serie	99
Total	198



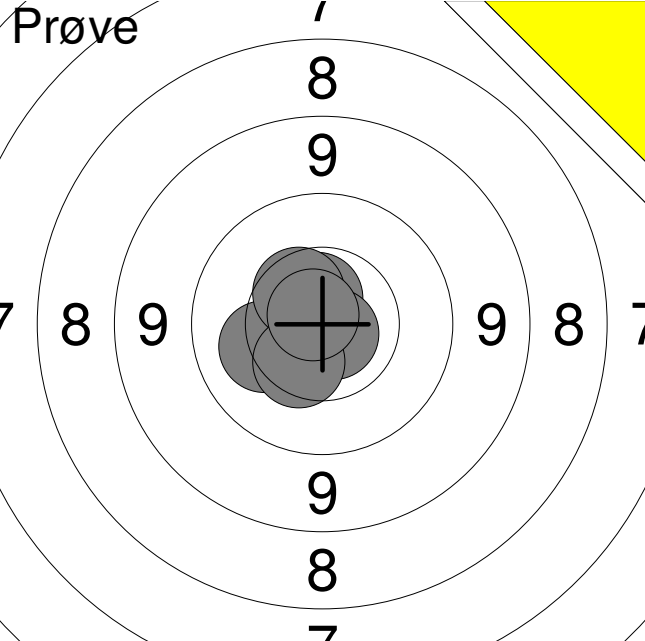
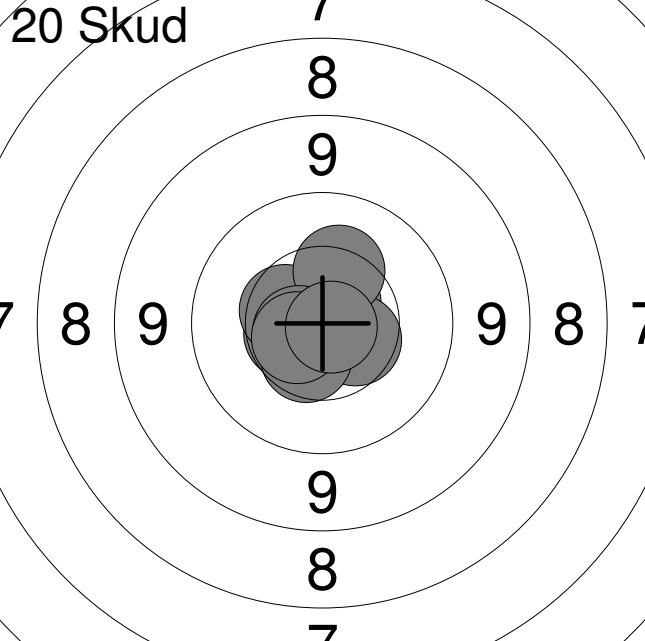
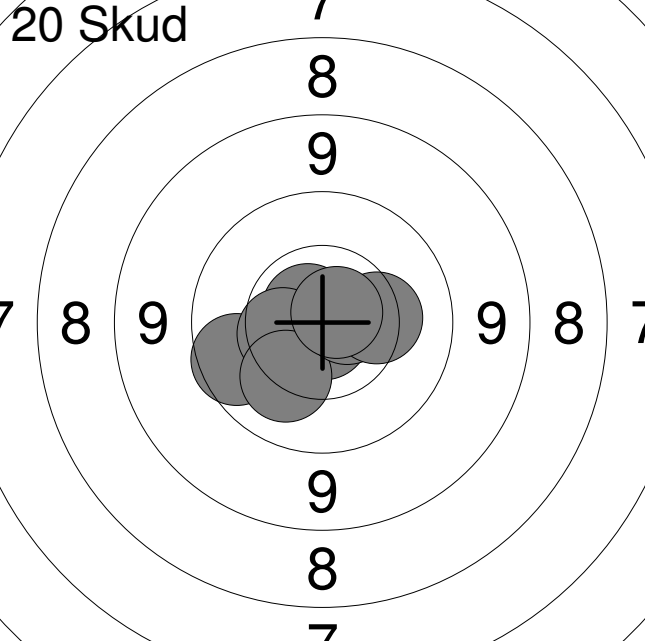
1:	8.9	→
2:	9.5	→
3:	10.6x	→
4:	10.5	→
5:	10.4	↓
6:	9.5	→
7:	9.9	↘
8:	10.5	→
9:	10.5	↗
<b>Serie</b>	<b>85</b>	
<b>Total</b>	<b>0</b>	

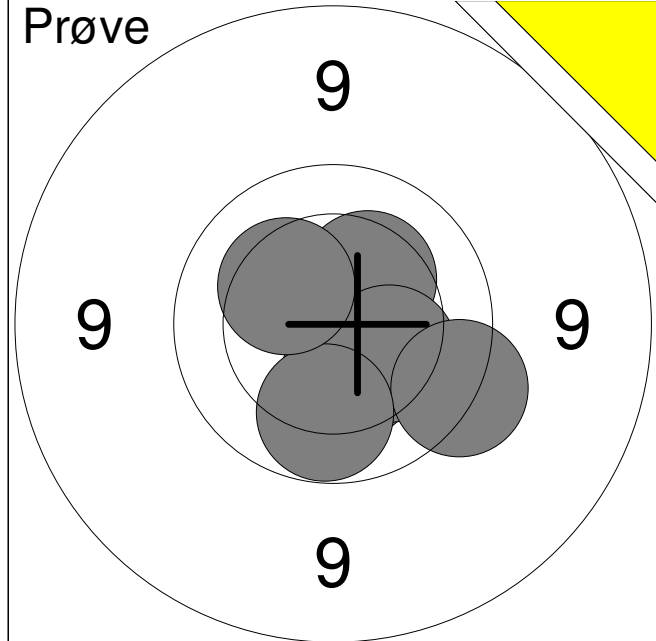


1:	10.5x	↓
2:	10.8x	→
3:	10.0	↘
4:	10.8x	→
5:	10.7x	↓
6:	10.7x	↓
7:	10.5	↗
8:	9.8	↙
9:	9.8	←
10:	10.5x	↘
<b>Serie</b>	<b>98</b>	
<b>Total</b>	<b>98</b>	

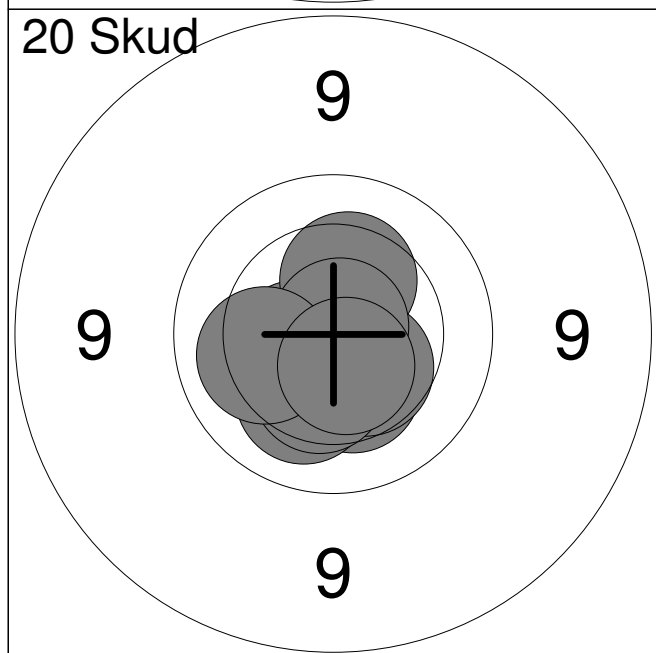


11:	10.6x	↗
12:	10.6x	↓
13:	10.5x	→
14:	9.9	↘
15:	10.1	↓
16:	10.1	↗
17:	10.5	↗
18:	9.9	→
19:	10.6x	←
20:	10.6x	↗
<b>Serie</b>	<b>98</b>	
<b>Total</b>	<b>196</b>	

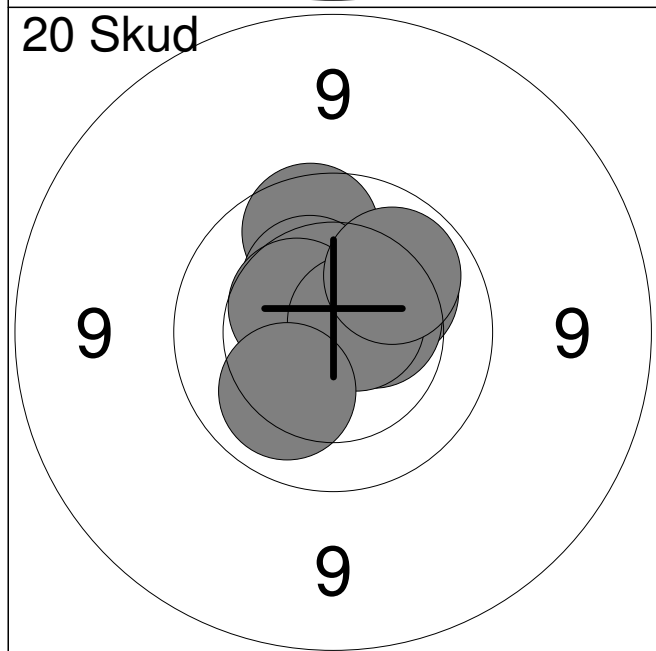
Hold <b>102</b>	Skive <b>9</b>	<b>Nina Guldbæk Larsen</b>																																
Aalborg		Vodskov Skytteforening		MJ1																														
15.02.2018		Jyllandsstævnet		Aalborg Skyttekreds																														
<b>Prøve</b>		<table border="0"> <tr><td>1:</td><td>10.6x</td><td>↑</td></tr> <tr><td>2:</td><td>10.2</td><td>←</td></tr> <tr><td>3:</td><td>10.5</td><td>↗</td></tr> <tr><td>4:</td><td>10.8x</td><td>↘</td></tr> <tr><td>5:</td><td>10.4</td><td>↙</td></tr> <tr><td>6:</td><td>10.8x</td><td>↖</td></tr> </table>			1:	10.6x	↑	2:	10.2	←	3:	10.5	↗	4:	10.8x	↘	5:	10.4	↙	6:	10.8x	↖												
1:	10.6x	↑																																
2:	10.2	←																																
3:	10.5	↗																																
4:	10.8x	↘																																
5:	10.4	↙																																
6:	10.8x	↖																																
		<table border="0"> <tr><td>Serie</td><td colspan="2"></td><td>60</td></tr> <tr><td>Total</td><td colspan="2"></td><td>0</td></tr> </table>			Serie			60	Total			0																						
Serie			60																															
Total			0																															
<b>20 Skud</b>		<table border="0"> <tr><td>1:</td><td>10.7x</td><td>↗</td></tr> <tr><td>2:</td><td>10.5</td><td>→</td></tr> <tr><td>3:</td><td>10.8x</td><td>↓</td></tr> <tr><td>4:</td><td>10.5</td><td>←</td></tr> <tr><td>5:</td><td>10.5</td><td>↖</td></tr> <tr><td>6:</td><td>10.3</td><td>↑</td></tr> <tr><td>7:</td><td>10.5</td><td>↓</td></tr> <tr><td>8:</td><td>10.7x</td><td>←</td></tr> <tr><td>9:</td><td>10.6x</td><td>←</td></tr> <tr><td>10:</td><td>10.8x</td><td>→</td></tr> </table>			1:	10.7x	↗	2:	10.5	→	3:	10.8x	↓	4:	10.5	←	5:	10.5	↖	6:	10.3	↑	7:	10.5	↓	8:	10.7x	←	9:	10.6x	←	10:	10.8x	→
1:	10.7x	↗																																
2:	10.5	→																																
3:	10.8x	↓																																
4:	10.5	←																																
5:	10.5	↖																																
6:	10.3	↑																																
7:	10.5	↓																																
8:	10.7x	←																																
9:	10.6x	←																																
10:	10.8x	→																																
		<table border="0"> <tr><td>Serie</td><td colspan="2"></td><td>100</td></tr> <tr><td>Total</td><td colspan="2"></td><td>100</td></tr> </table>			Serie			100	Total			100																						
Serie			100																															
Total			100																															
<b>20 Skud</b>		<table border="0"> <tr><td>11:</td><td>10.7x</td><td>↖</td></tr> <tr><td>12:</td><td>10.8x</td><td>↓</td></tr> <tr><td>13:</td><td>10.4</td><td>←</td></tr> <tr><td>14:</td><td>10.4</td><td>←</td></tr> <tr><td>15:</td><td>9.8</td><td>←</td></tr> <tr><td>16:</td><td>10.5</td><td>←</td></tr> <tr><td>17:</td><td>10.2</td><td>↙</td></tr> <tr><td>18:</td><td>10.7x</td><td>→</td></tr> <tr><td>19:</td><td>10.3</td><td>→</td></tr> <tr><td>20:</td><td>10.7x</td><td>↗</td></tr> </table>			11:	10.7x	↖	12:	10.8x	↓	13:	10.4	←	14:	10.4	←	15:	9.8	←	16:	10.5	←	17:	10.2	↙	18:	10.7x	→	19:	10.3	→	20:	10.7x	↗
11:	10.7x	↖																																
12:	10.8x	↓																																
13:	10.4	←																																
14:	10.4	←																																
15:	9.8	←																																
16:	10.5	←																																
17:	10.2	↙																																
18:	10.7x	→																																
19:	10.3	→																																
20:	10.7x	↗																																
		<table border="0"> <tr><td>Serie</td><td colspan="2"></td><td>99</td></tr> <tr><td>Total</td><td colspan="2"></td><td>199</td></tr> </table>			Serie			99	Total			199																						
Serie			99																															
Total			199																															



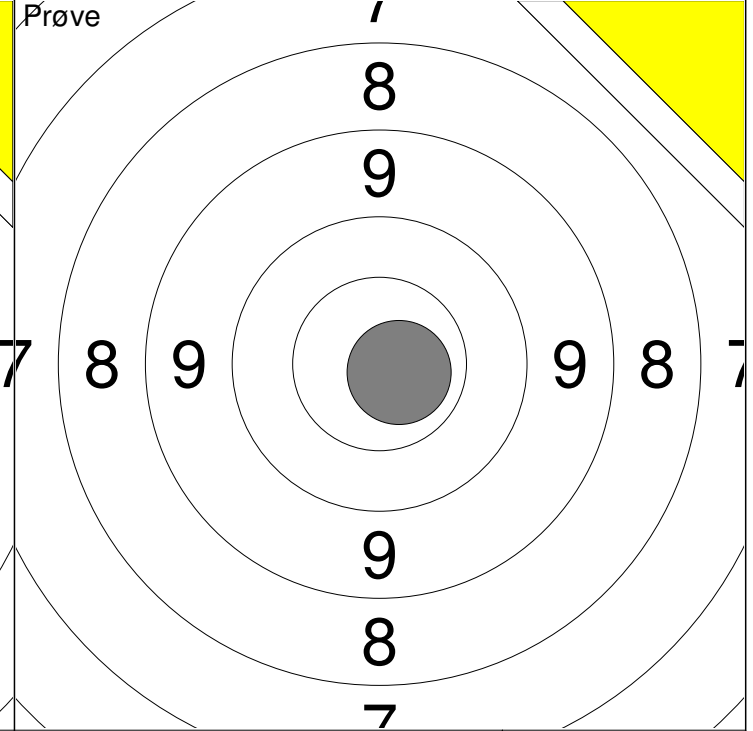
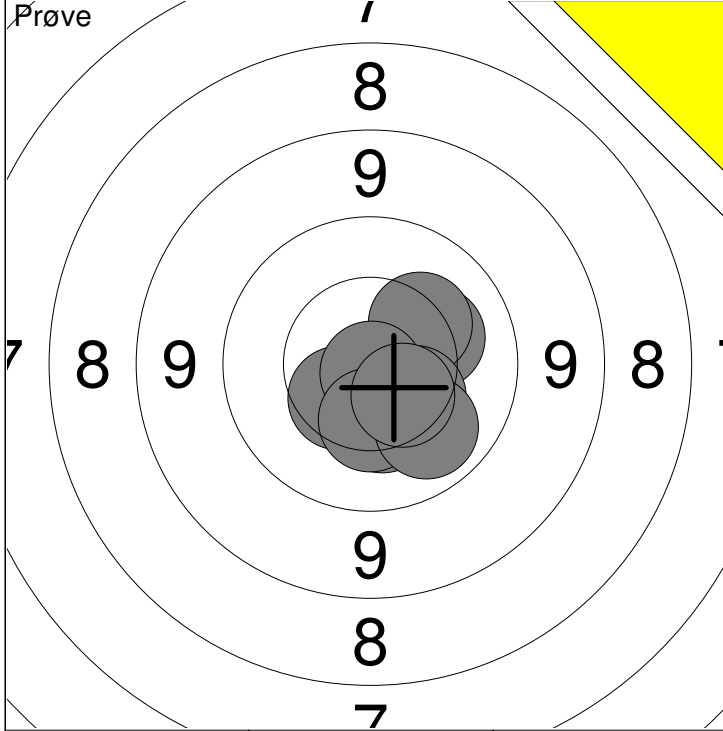
1:	10.3	↗
2:	10.4	↓
3:	10.3	↘
4:	9.6	→
5:	10.0	↓
6:	10.3	↗
<b>Serie</b>		<b>59</b>
<b>Total</b>		<b>0</b>



1:	10.4	↓
2:	10.4	↙
3:	10.5x	↙
4:	10.3	↑
5:	10.4	↘
6:	10.2	↓
7:	10.8x	↗
8:	10.4	↓
9:	10.2	↙
10:	10.6x	↓
<b>Serie</b>		<b>100</b>
<b>Total</b>		<b>100</b>

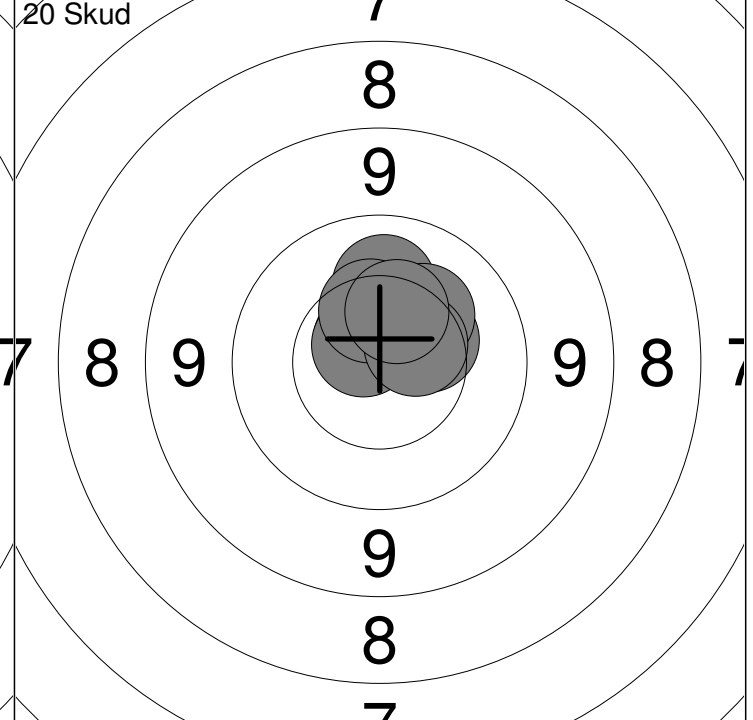
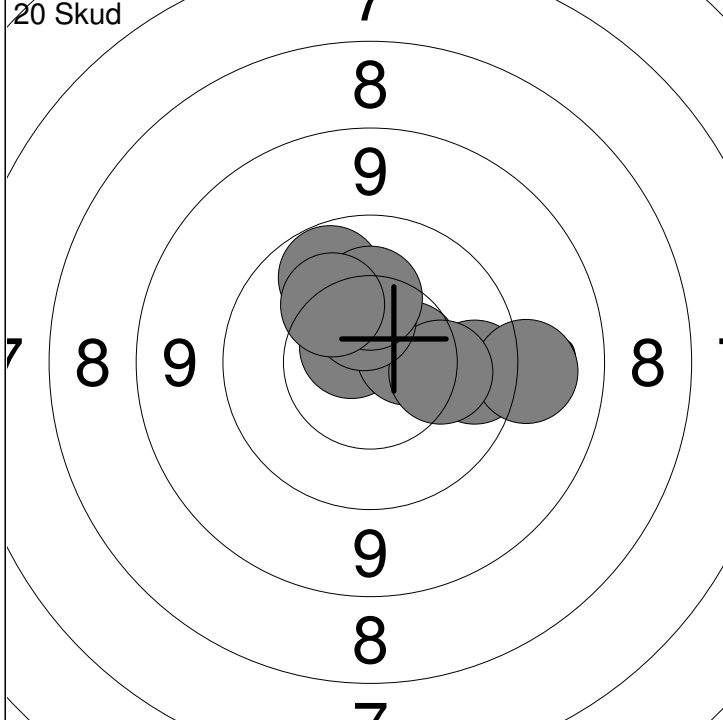


11:	10.2	↗
12:	9.9	↑
13:	10.5	→
14:	10.4	↗
15:	10.6x	↗
16:	10.4	↗
17:	10.5	↖
18:	10.7x	→
19:	10.0	↗
20:	10.1	↓
<b>Serie</b>		<b>99</b>
<b>Total</b>		<b>199</b>



1: 10.5 ↙	6: 10.9x ↓	Serie	100
2: 10.4 ↘	7: 10.4 ↘		
3: 10.2 →	8: 10.4 ↓	Total	0
4: 10.3 ↗	9: 10.1 ↓		
5: 10.3 ↓	10: 10.5 ↓		

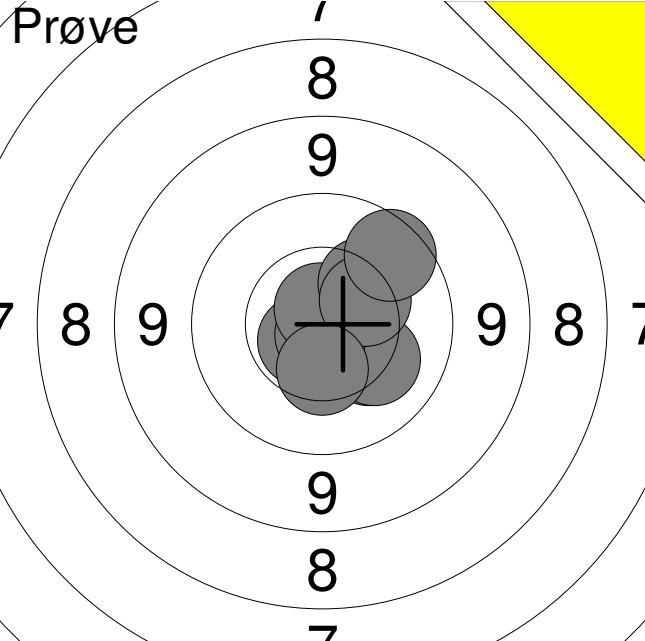
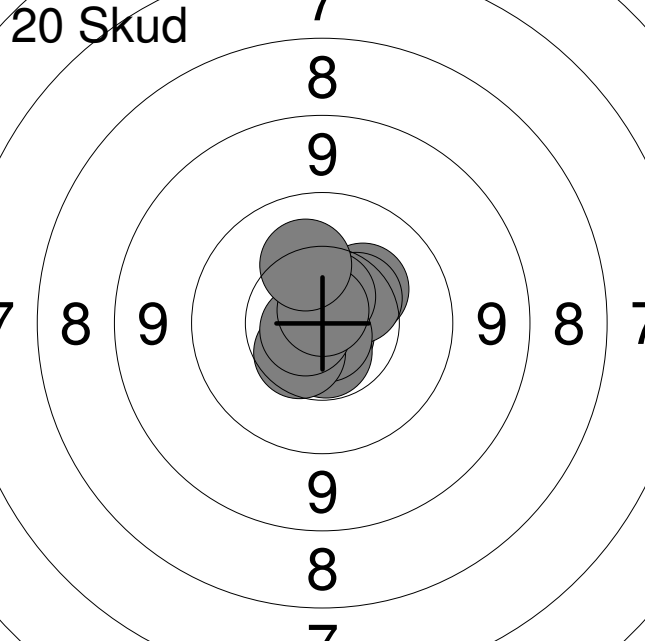
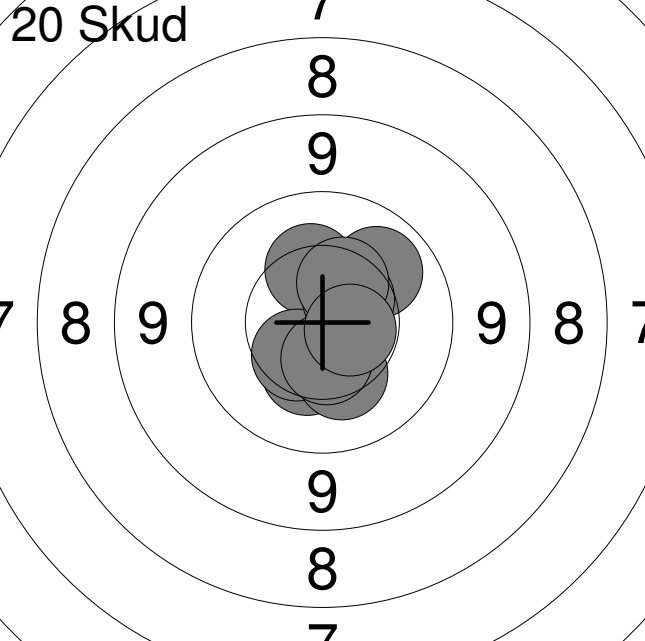
11: 10.7x →	Serie	10
	Total	0

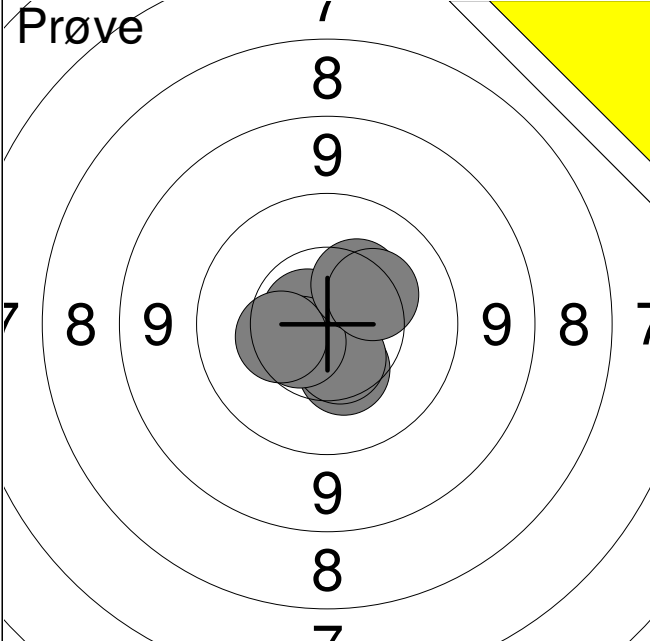
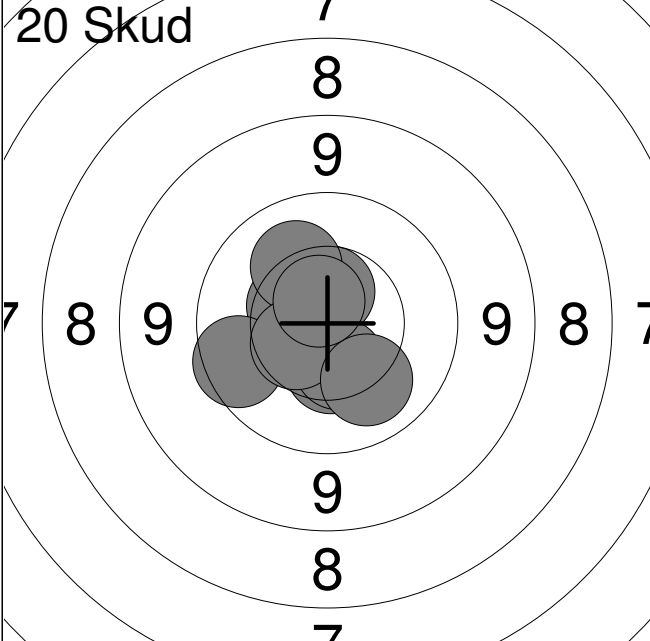
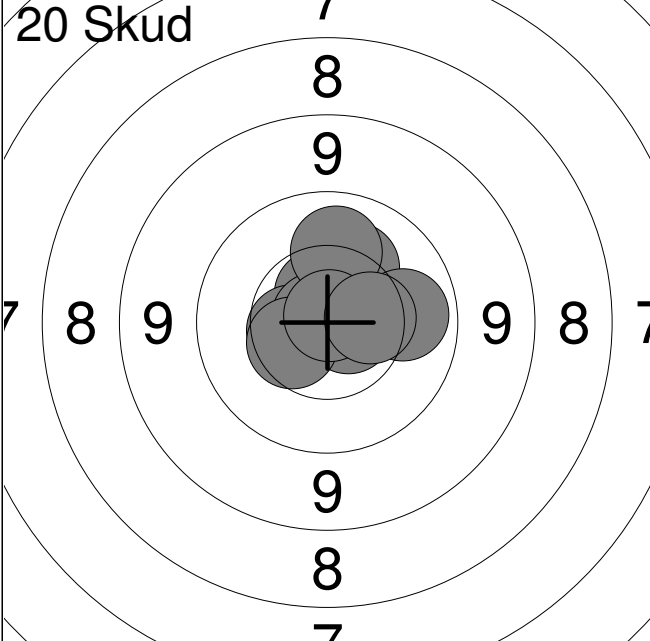


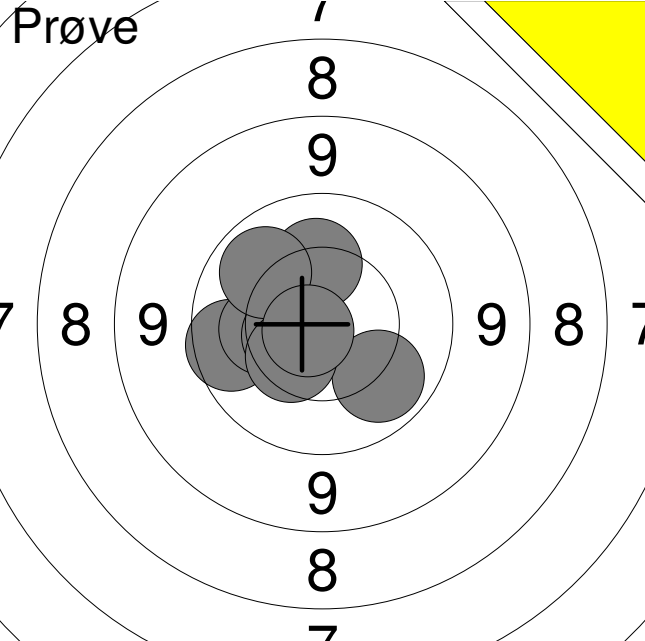
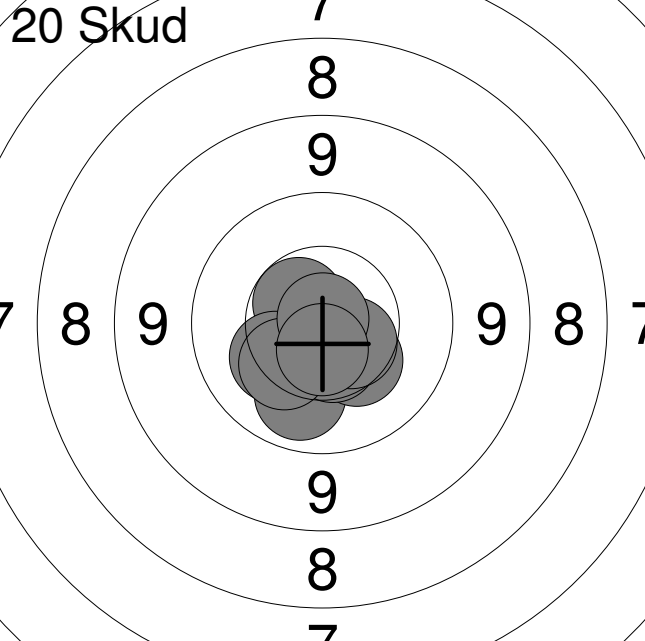
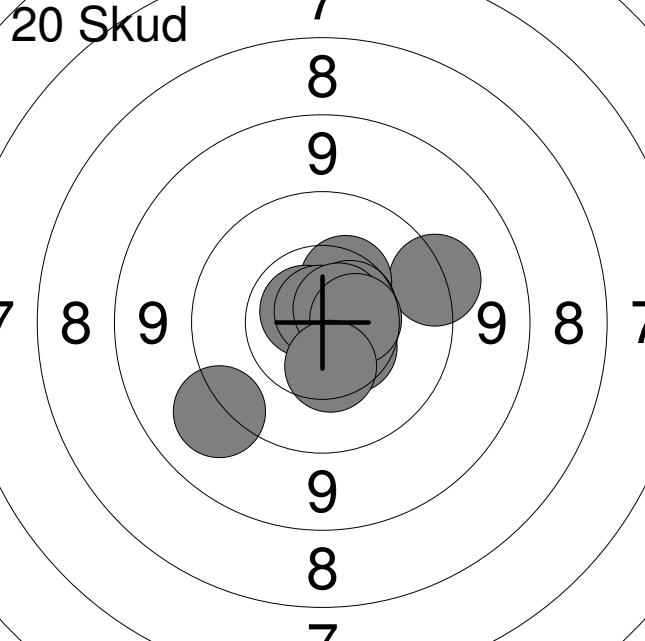
1: 9.8 →	6: 9.3 →	Serie	98
2: 10.7x ↗	7: 10.2 →		
3: 10.7x ↗	8: 10.5 ↑	Total	98
4: 10.0 ↑	9: 10.3 ↑		
5: 10.5 →	10: 10.2 ↗		

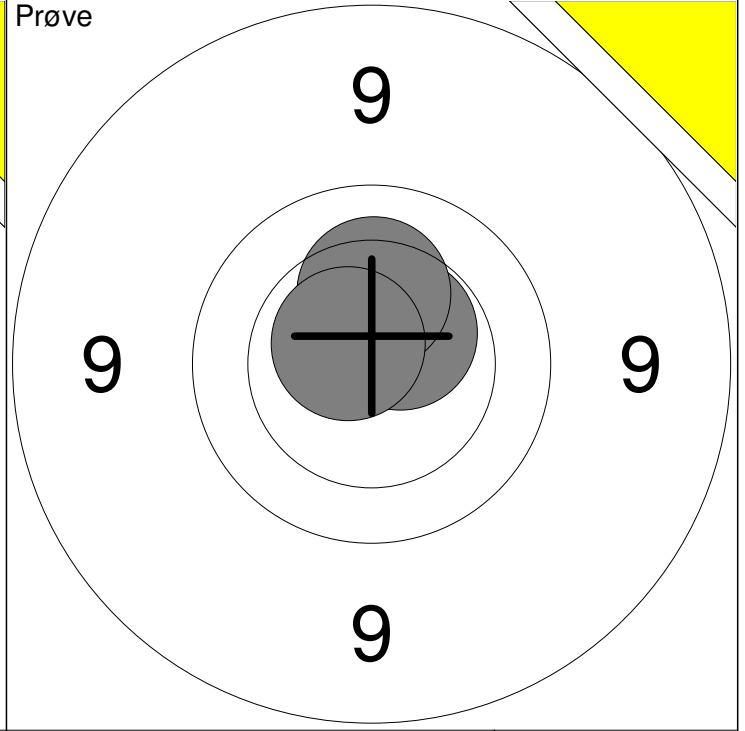
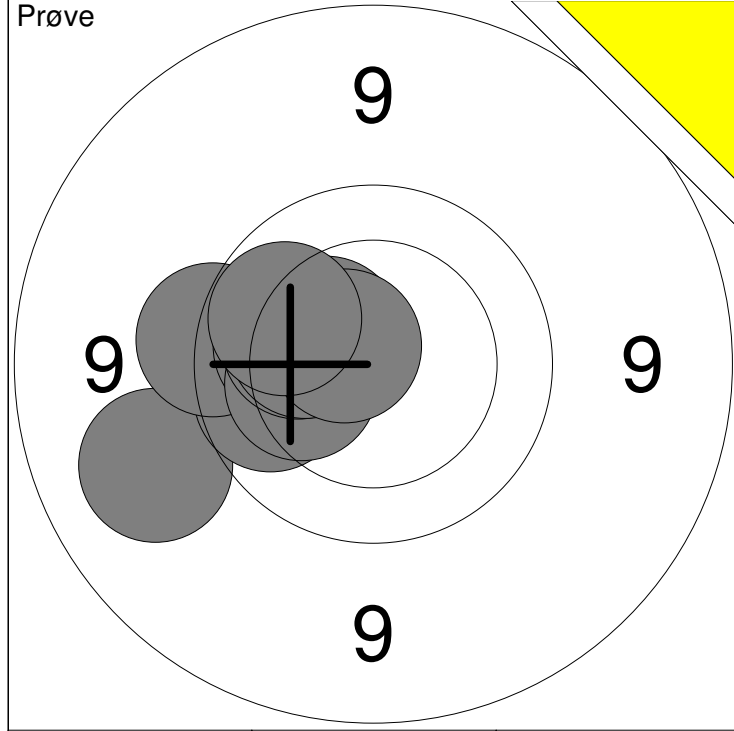
11: 10.7x ↖	16: 10.4 ↗	Serie	100
12: 10.5 ↑	17: 10.4 ↑		
13: 10.2 ↑	18: 10.3 ↗	Total	198
14: 10.5 ↗	19: 10.5 ↗		
15: 10.7x ↖	20: 10.4 ↑		



Hold <b>103</b>	Skive <b>3</b>	<b>Liva Møller</b>																																
Aalborg		Vilsted Skytteforening		MBK1																														
15.02.2018		Jyllandsstævnet		Aalborg Skyttekreds																														
<b>Prøve</b>		<table border="0"> <tr><td>1:</td><td>10.3</td><td>↘</td></tr> <tr><td>2:</td><td>10.2</td><td>↘</td></tr> <tr><td>3:</td><td>10.7x</td><td>↙</td></tr> <tr><td>4:</td><td>10.8x</td><td>↓</td></tr> <tr><td>5:</td><td>10.8x</td><td>↑</td></tr> <tr><td>6:</td><td>10.3</td><td>↗</td></tr> <tr><td>7:</td><td>10.4</td><td>↗</td></tr> <tr><td>8:</td><td>9.8</td><td>↗</td></tr> <tr><td>9:</td><td>10.4</td><td>↓</td></tr> </table>			1:	10.3	↘	2:	10.2	↘	3:	10.7x	↙	4:	10.8x	↓	5:	10.8x	↑	6:	10.3	↗	7:	10.4	↗	8:	9.8	↗	9:	10.4	↓			
1:	10.3	↘																																
2:	10.2	↘																																
3:	10.7x	↙																																
4:	10.8x	↓																																
5:	10.8x	↑																																
6:	10.3	↗																																
7:	10.4	↗																																
8:	9.8	↗																																
9:	10.4	↓																																
		Serie 89																																
		Total 0																																
<b>20 Skud</b>		<table border="0"> <tr><td>1:</td><td>10.8x</td><td>↘</td></tr> <tr><td>2:</td><td>10.6x</td><td>↓</td></tr> <tr><td>3:</td><td>10.3</td><td>↗</td></tr> <tr><td>4:</td><td>10.5</td><td>↗</td></tr> <tr><td>5:</td><td>10.6x</td><td>↑</td></tr> <tr><td>6:</td><td>10.8x</td><td>↓</td></tr> <tr><td>7:</td><td>10.5</td><td>↙</td></tr> <tr><td>8:</td><td>10.7x</td><td>←</td></tr> <tr><td>9:</td><td>10.8x</td><td>↑</td></tr> <tr><td>10:</td><td>10.2</td><td>↑</td></tr> </table>			1:	10.8x	↘	2:	10.6x	↓	3:	10.3	↗	4:	10.5	↗	5:	10.6x	↑	6:	10.8x	↓	7:	10.5	↙	8:	10.7x	←	9:	10.8x	↑	10:	10.2	↑
1:	10.8x	↘																																
2:	10.6x	↓																																
3:	10.3	↗																																
4:	10.5	↗																																
5:	10.6x	↑																																
6:	10.8x	↓																																
7:	10.5	↙																																
8:	10.7x	←																																
9:	10.8x	↑																																
10:	10.2	↑																																
		Serie 100																																
		Total 100																																
<b>20 Skud</b>		<table border="0"> <tr><td>11:</td><td>10.1</td><td>↗</td></tr> <tr><td>12:</td><td>10.3</td><td>↑</td></tr> <tr><td>13:</td><td>10.4</td><td>↓</td></tr> <tr><td>14:</td><td>10.6</td><td>↓</td></tr> <tr><td>15:</td><td>10.5</td><td>↙</td></tr> <tr><td>16:</td><td>10.3</td><td>↓</td></tr> <tr><td>17:</td><td>10.5</td><td>↓</td></tr> <tr><td>18:</td><td>10.5</td><td>↗</td></tr> <tr><td>19:</td><td>10.4</td><td>↗</td></tr> <tr><td>20:</td><td>10.6x</td><td>→</td></tr> </table>			11:	10.1	↗	12:	10.3	↑	13:	10.4	↓	14:	10.6	↓	15:	10.5	↙	16:	10.3	↓	17:	10.5	↓	18:	10.5	↗	19:	10.4	↗	20:	10.6x	→
11:	10.1	↗																																
12:	10.3	↑																																
13:	10.4	↓																																
14:	10.6	↓																																
15:	10.5	↙																																
16:	10.3	↓																																
17:	10.5	↓																																
18:	10.5	↗																																
19:	10.4	↗																																
20:	10.6x	→																																
		Serie 100																																
		Total 200																																

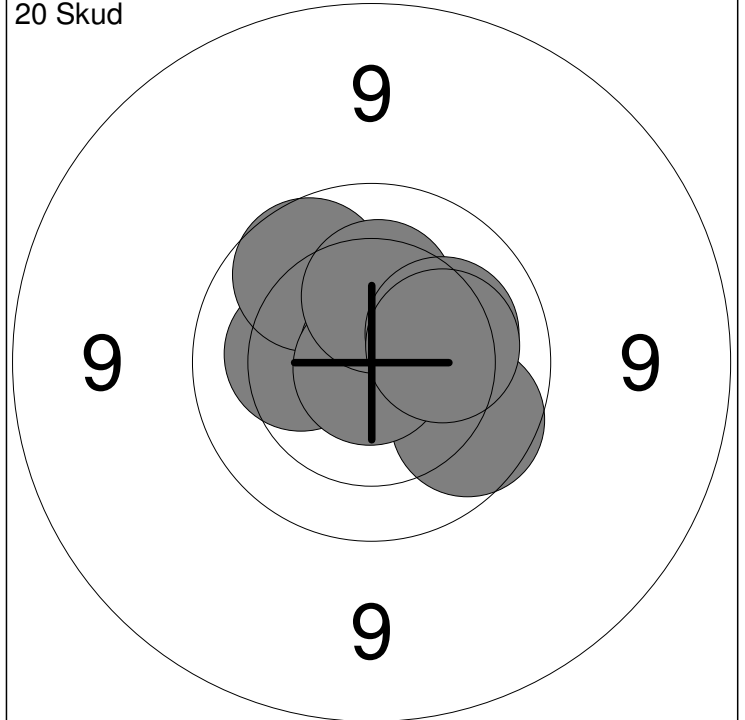
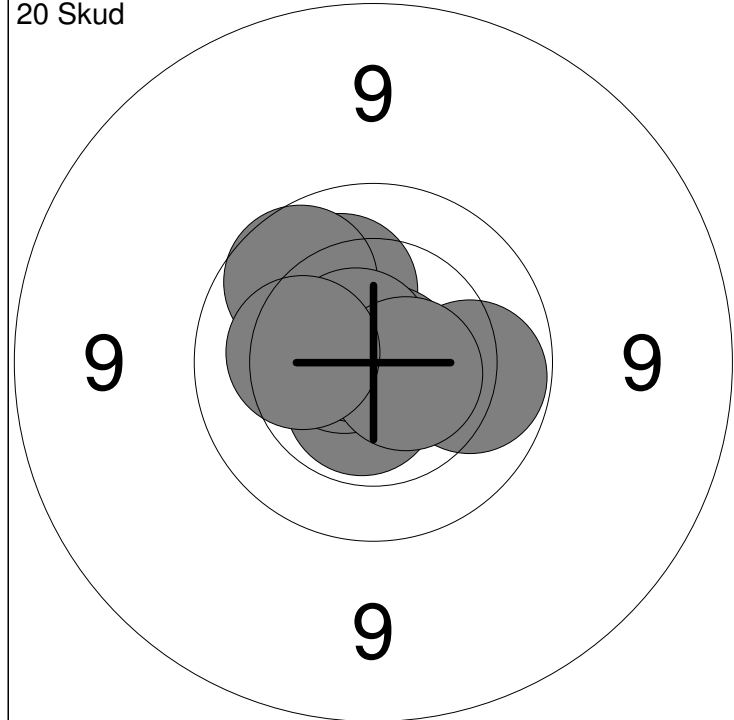
Hold <b>103</b>	Skive <b>4</b>	<b>Niclas Pedersen</b>																																
Aalborg		Vilsted Skytteforening		MFRI																														
15.02.2018		Jyllandsstævnet		Aalborg Skyttekreds																														
<b>Prøve</b>		<table border="0"> <tr><td>1:</td><td>10.4</td><td>↓</td></tr> <tr><td>2:</td><td>10.7x</td><td>↖</td></tr> <tr><td>3:</td><td>10.5</td><td>↓</td></tr> <tr><td>4:</td><td>10.6</td><td>↖</td></tr> <tr><td>5:</td><td>10.4</td><td>↖</td></tr> <tr><td>6:</td><td>10.4</td><td>↗</td></tr> <tr><td>7:</td><td>10.3</td><td>↗</td></tr> </table>			1:	10.4	↓	2:	10.7x	↖	3:	10.5	↓	4:	10.6	↖	5:	10.4	↖	6:	10.4	↗	7:	10.3	↗									
1:	10.4	↓																																
2:	10.7x	↖																																
3:	10.5	↓																																
4:	10.6	↖																																
5:	10.4	↖																																
6:	10.4	↗																																
7:	10.3	↗																																
		Serie 70																																
		Total 0																																
<b>20 Skud</b>		<table border="0"> <tr><td>1:</td><td>10.4</td><td>↓</td></tr> <tr><td>2:</td><td>10.6x</td><td>↖</td></tr> <tr><td>3:</td><td>10.6</td><td>↑</td></tr> <tr><td>4:</td><td>10.4</td><td>↓</td></tr> <tr><td>5:</td><td>10.5</td><td>↖</td></tr> <tr><td>6:</td><td>9.8</td><td>↖</td></tr> <tr><td>7:</td><td>10.2</td><td>↗</td></tr> <tr><td>8:</td><td>10.5</td><td>↖</td></tr> <tr><td>9:</td><td>10.1</td><td>↓</td></tr> <tr><td>10:</td><td>10.7x</td><td>↗</td></tr> </table>			1:	10.4	↓	2:	10.6x	↖	3:	10.6	↑	4:	10.4	↓	5:	10.5	↖	6:	9.8	↖	7:	10.2	↗	8:	10.5	↖	9:	10.1	↓	10:	10.7x	↗
1:	10.4	↓																																
2:	10.6x	↖																																
3:	10.6	↑																																
4:	10.4	↓																																
5:	10.5	↖																																
6:	9.8	↖																																
7:	10.2	↗																																
8:	10.5	↖																																
9:	10.1	↓																																
10:	10.7x	↗																																
		Serie 99																																
		Total 99																																
<b>20 Skud</b>		<table border="0"> <tr><td>11:</td><td>10.6x</td><td>↑</td></tr> <tr><td>12:</td><td>10.5</td><td>↖</td></tr> <tr><td>13:</td><td>10.2</td><td>↗</td></tr> <tr><td>14:</td><td>10.8x</td><td>↖</td></tr> <tr><td>15:</td><td>10.7x</td><td>→</td></tr> <tr><td>16:</td><td>10.1</td><td>↑</td></tr> <tr><td>17:</td><td>10.5</td><td>↖</td></tr> <tr><td>18:</td><td>10.9x</td><td>↑</td></tr> <tr><td>19:</td><td>10.0</td><td>→</td></tr> <tr><td>20:</td><td>10.4</td><td>→</td></tr> </table>			11:	10.6x	↑	12:	10.5	↖	13:	10.2	↗	14:	10.8x	↖	15:	10.7x	→	16:	10.1	↑	17:	10.5	↖	18:	10.9x	↑	19:	10.0	→	20:	10.4	→
11:	10.6x	↑																																
12:	10.5	↖																																
13:	10.2	↗																																
14:	10.8x	↖																																
15:	10.7x	→																																
16:	10.1	↑																																
17:	10.5	↖																																
18:	10.9x	↑																																
19:	10.0	→																																
20:	10.4	→																																
		Serie 100																																
		Total 199																																

Hold <b>103</b>	Skive <b>6</b>	<b>Marcus Toft</b>		
Aalborg		Løgstør Sportsskytteklub		MBK1
15.02.2018		Jyllandsstævnet		Aalborg Skyttekreds
<b>Prøve</b>				
		1:	10.4	↗
		2:	10.2	↑
		3:	9.8	←
		4:	10.3	←
		5:	10.5	←
		6:	10.0	↗
		7:	10.0	↘
		8:	10.4	↘
		9:	10.8x	←
		<b>Serie</b>		<b>89</b>
		<b>Total</b>		<b>0</b>
<b>20 Skud</b>				
		1:	10.5	↘
		2:	10.6x	↗
		3:	10.1	↘
		4:	10.4	↘
		5:	10.3	←
		6:	10.5	↘
		7:	10.3	↘
		8:	10.5	↘
		9:	10.9x	↑
		10:	10.6x	↓
		<b>Serie</b>		<b>100</b>
		<b>Total</b>		<b>100</b>
<b>20 Skud</b>				
		11:	9.5	→
		12:	10.4	↗
		13:	10.7x	↗
		14:	10.6	↗
		15:	10.8x	↑
		16:	10.7x	↗
		17:	9.3	↙
		18:	10.5	↘
		19:	10.6	→
		20:	10.4	↓
		<b>Serie</b>		<b>98</b>
		<b>Total</b>		<b>198</b>



1: 9.2 ←	6: 10.2 ←	Serie	97
2: 9.9 ←	7: 10.2 ←		
3: 10.4 ↗	8: 10.2 ←	Total	0
4: 9.6 ←	9: 10.6x ↗		
5: 10.1 ←	10: 10.0 ↗		

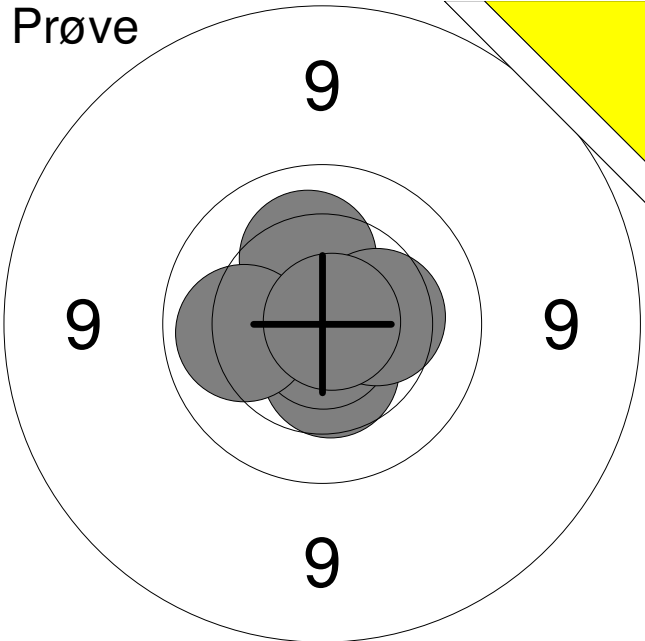
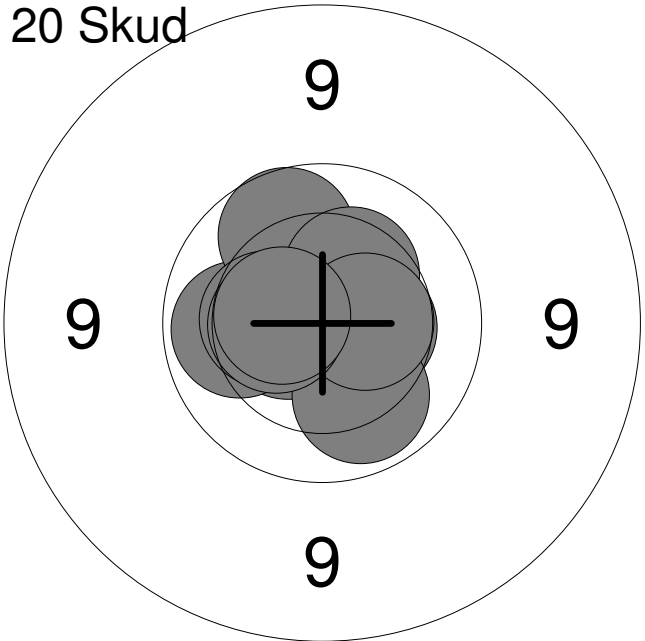
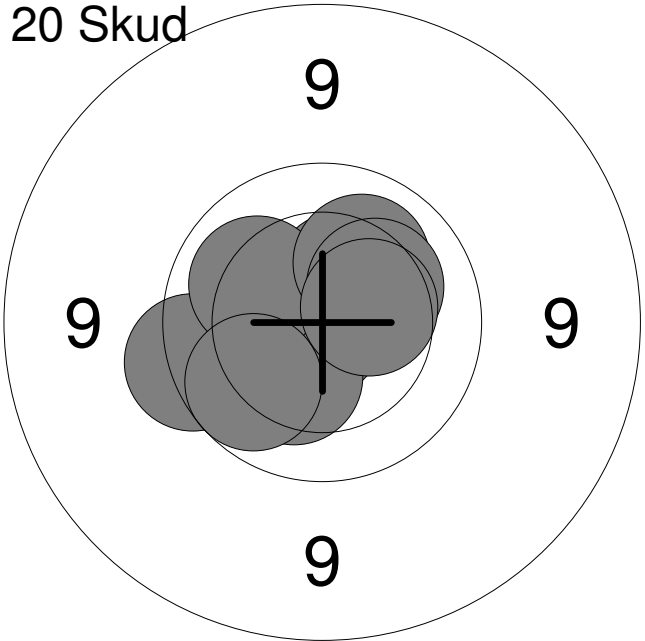
12: 10.5x ↗	Serie	30
13: 10.3 ↑		
14: 10.6x ↖	Total	0

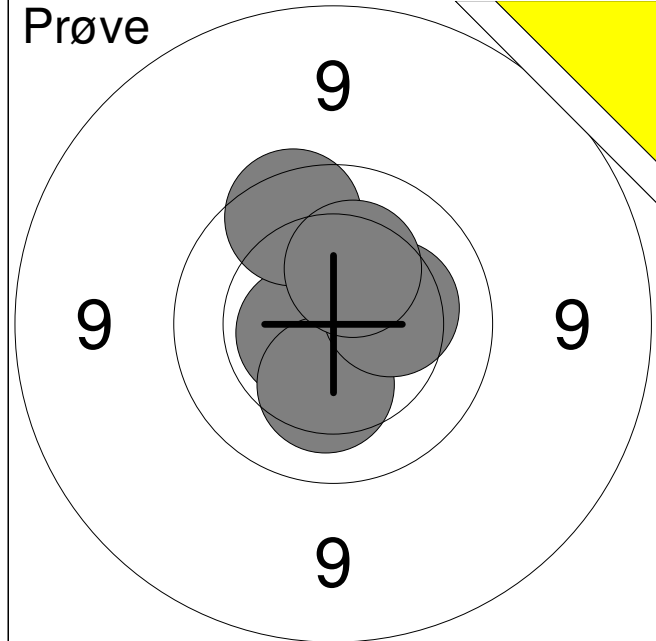


1: 10.2 ↗	6: 10.8x ↖	Serie	99
2: 9.9 ↗	7: 10.7x ←		
3: 10.8x →	8: 10.7x ↗	Total	99
4: 10.0 →	9: 10.6x →		
5: 10.6x ↓	10: 10.3 ←		

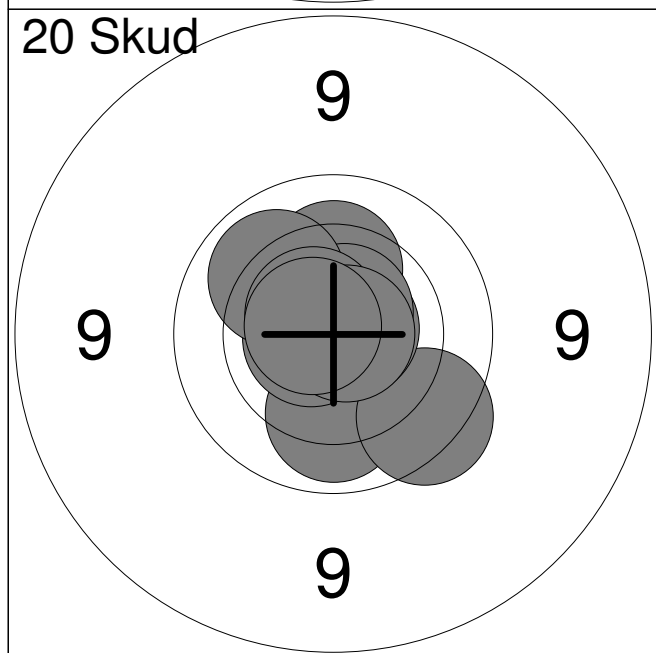
11: 10.5 ↖	16: 10.9x ↗	Serie	98
12: 10.3 ←	17: 10.9x ↓		
13: 9.9 ↗	18: 10.3 ↑	Total	197
14: 10.3 ↗	19: 10.2 →		
15: 9.9 ↘	20: 10.2 →		

Hold <b>103</b>	Skive <b>10</b>	<b>Martin Jensen</b>																																
Aalborg		Løgstør Sportsskytteklub		MUS2																														
15.02.2018		Jyllandsstævnet		Aalborg Skyttekreds																														
<b>Prøve</b>		<table border="0"> <tr><td>1:</td><td>9.4</td><td>↖</td></tr> <tr><td>2:</td><td>10.1</td><td>↑</td></tr> <tr><td>3:</td><td>9.6</td><td>→</td></tr> <tr><td>4:</td><td>9.1</td><td>↓</td></tr> <tr><td>5:</td><td>10.1</td><td>↙</td></tr> <tr><td>6:</td><td>9.4</td><td>↘</td></tr> </table>			1:	9.4	↖	2:	10.1	↑	3:	9.6	→	4:	9.1	↓	5:	10.1	↙	6:	9.4	↘												
1:	9.4	↖																																
2:	10.1	↑																																
3:	9.6	→																																
4:	9.1	↓																																
5:	10.1	↙																																
6:	9.4	↘																																
		Serie 56																																
		Total 0																																
<b>20 Skud</b>		<table border="0"> <tr><td>1:</td><td>9.3</td><td>↖</td></tr> <tr><td>2:</td><td>9.7</td><td>↙</td></tr> <tr><td>3:</td><td>10.5x</td><td>↘</td></tr> <tr><td>4:</td><td>9.8</td><td>↗</td></tr> <tr><td>5:</td><td>9.8</td><td>↓</td></tr> <tr><td>6:</td><td>9.5</td><td>↗</td></tr> <tr><td>7:</td><td>9.7</td><td>↑</td></tr> <tr><td>8:</td><td>9.3</td><td>↖</td></tr> <tr><td>9:</td><td>9.4</td><td>↑</td></tr> <tr><td>10:</td><td>10.7x</td><td>↘</td></tr> </table>			1:	9.3	↖	2:	9.7	↙	3:	10.5x	↘	4:	9.8	↗	5:	9.8	↓	6:	9.5	↗	7:	9.7	↑	8:	9.3	↖	9:	9.4	↑	10:	10.7x	↘
1:	9.3	↖																																
2:	9.7	↙																																
3:	10.5x	↘																																
4:	9.8	↗																																
5:	9.8	↓																																
6:	9.5	↗																																
7:	9.7	↑																																
8:	9.3	↖																																
9:	9.4	↑																																
10:	10.7x	↘																																
		Serie 92																																
		Total 92																																
<b>20 Skud</b>		<table border="0"> <tr><td>11:</td><td>9.9</td><td>↗</td></tr> <tr><td>12:</td><td>9.4</td><td>↑</td></tr> <tr><td>13:</td><td>10.3</td><td>↖</td></tr> <tr><td>14:</td><td>9.4</td><td>→</td></tr> <tr><td>15:</td><td>9.2</td><td>↖</td></tr> <tr><td>16:</td><td>10.0</td><td>↘</td></tr> <tr><td>17:</td><td>9.4</td><td>↗</td></tr> <tr><td>18:</td><td>10.1</td><td>↑</td></tr> <tr><td>19:</td><td>10.3</td><td>↖</td></tr> <tr><td>20:</td><td>10.7x</td><td>↗</td></tr> </table>			11:	9.9	↗	12:	9.4	↑	13:	10.3	↖	14:	9.4	→	15:	9.2	↖	16:	10.0	↘	17:	9.4	↗	18:	10.1	↑	19:	10.3	↖	20:	10.7x	↗
11:	9.9	↗																																
12:	9.4	↑																																
13:	10.3	↖																																
14:	9.4	→																																
15:	9.2	↖																																
16:	10.0	↘																																
17:	9.4	↗																																
18:	10.1	↑																																
19:	10.3	↖																																
20:	10.7x	↗																																
		Serie 95																																
		Total 187																																

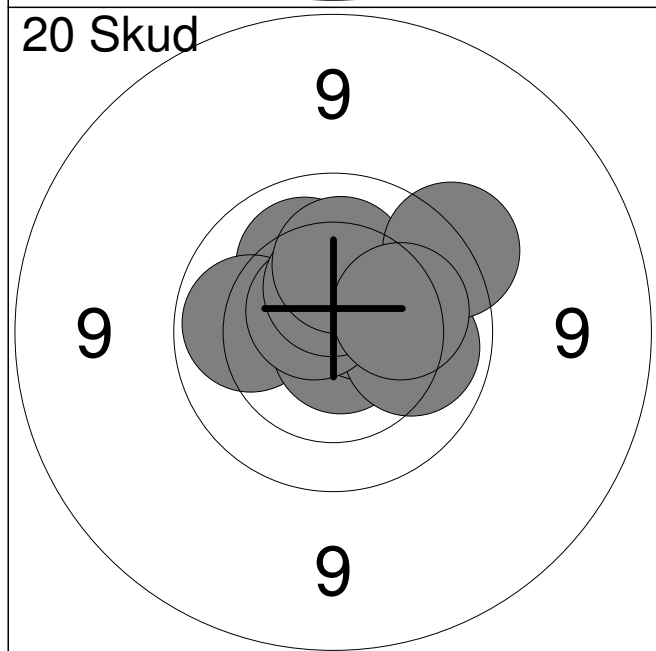
Hold	Skive	Lars Ørum Pedersen		
103	11	Aalborg Skyttekreds	MVS1	
15.02.2018	Jyllandsstævnet	Aalborg Skyttekreds		
<b>Prøve</b> 	1:	10.4	↓	
	2:	10.2	↑	
	3:	10.8x	↓	
	4:	10.1	←	
	5:	10.3	→	
	6:	10.8x	→	
<b>Serie</b>			60	
<b>Total</b>			0	
<b>20 Skud</b> 	1:	10.4	→	
	2:	10.6x	←	
	3:	10.0	↓	
	4:	10.0	←	
	5:	9.9	↑	
	6:	10.3	↗	
	7:	10.5	→	
	8:	10.3	←	
	9:	10.4	←	
	10:	10.5x	←	
	<b>Serie</b>			99
<b>Total</b>			99	
<b>20 Skud</b> 	11:	10.9x	↙	
	12:	10.4	↑	
	13:	9.7	←	
	14:	10.7x	←	
	15:	10.3	↓	
	16:	10.1	↖	
	17:	10.2	↗	
	18:	9.9	↙	
	19:	10.2	↗	
	20:	10.4	→	
	<b>Serie</b>			98
<b>Total</b>			197	



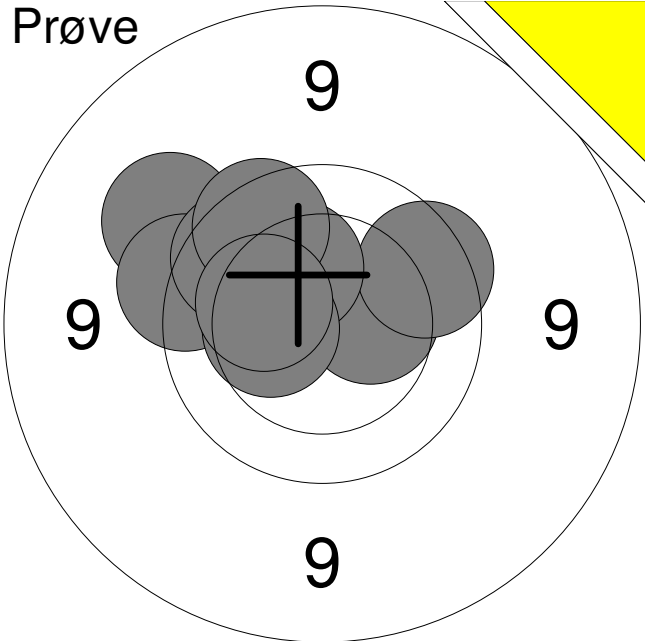
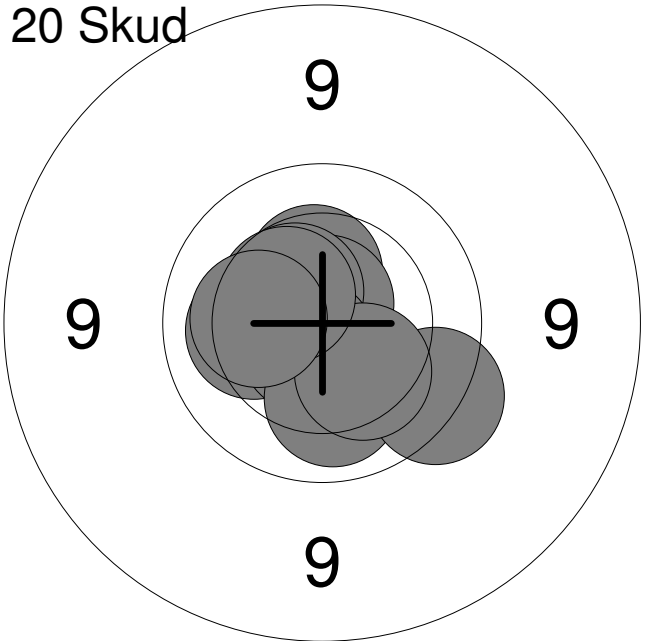
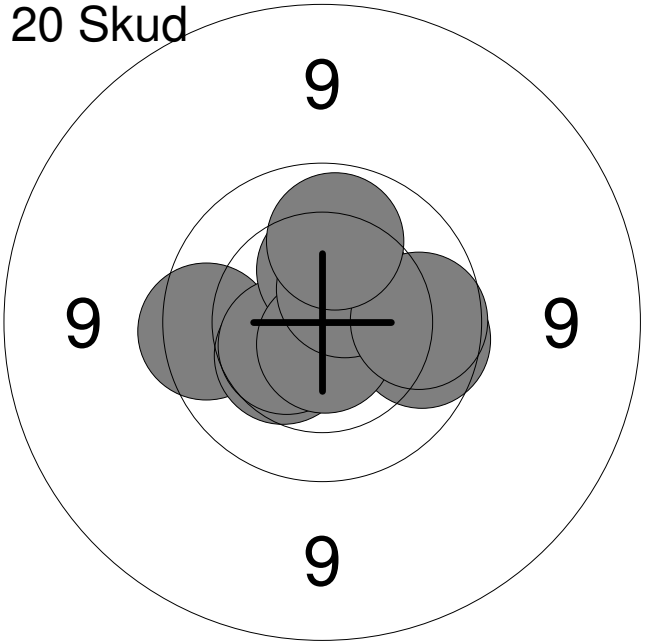
1:	10.6x	←
2:	10.3	↓
3:	9.8	↑
4:	10.3	→
5:	10.3	↑
<b>Serie</b>		<b>49</b>
<b>Total</b>		<b>0</b>



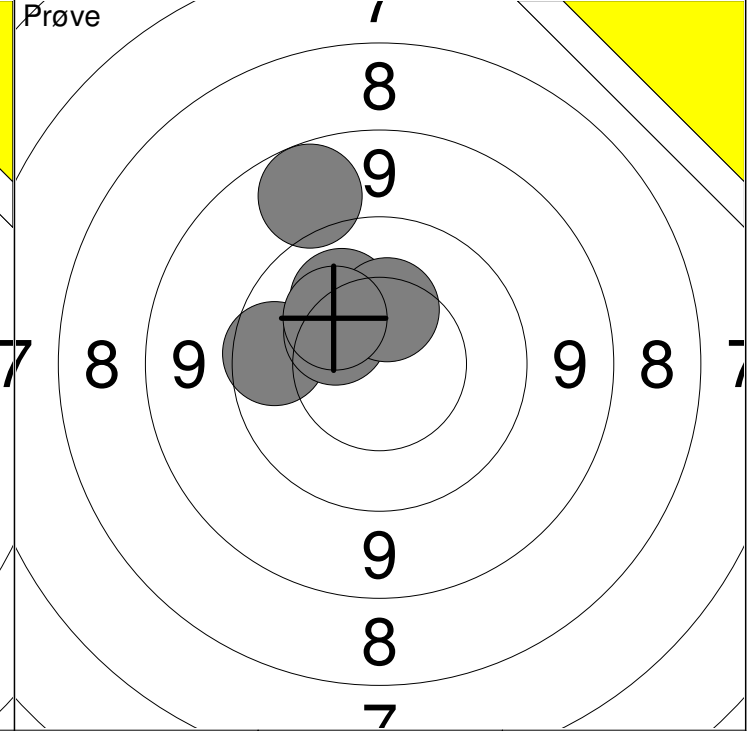
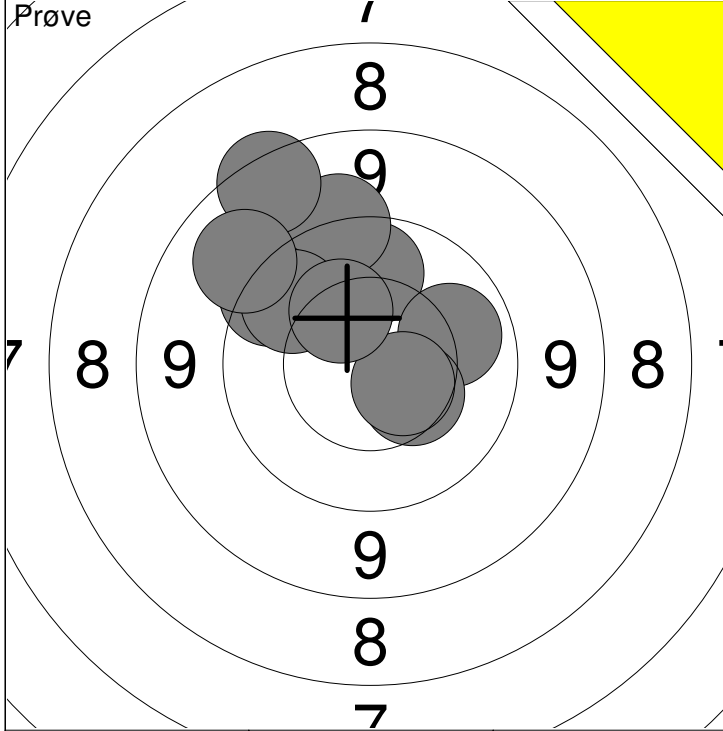
1:	10.1	↓
2:	9.7	↘
3:	10.2	↑
4:	10.8x	→
5:	10.7x	←
6:	10.7x	↑
7:	10.1	↗
8:	10.7x	↗
9:	10.8x	→
10:	10.7x	←
<b>Serie</b>		<b>99</b>
<b>Total</b>		<b>99</b>



11:	10.1	↑
12:	10.0	←
13:	10.8x	↘
14:	10.5x	↗
15:	10.1	→
16:	10.6x	↗
17:	10.5	↑
18:	10.2	↑
19:	9.6	↗
20:	10.2	→
<b>Serie</b>		<b>99</b>
<b>Total</b>		<b>198</b>

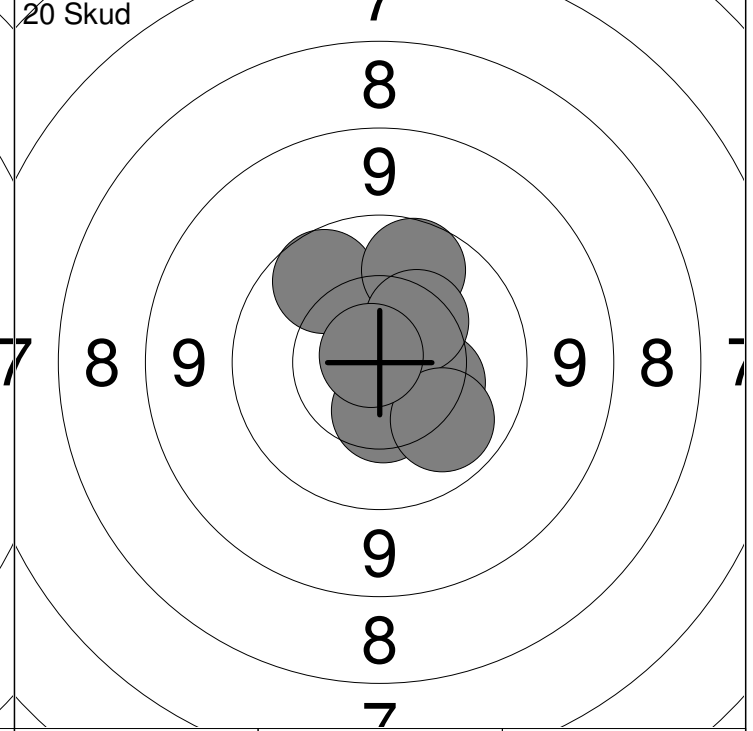
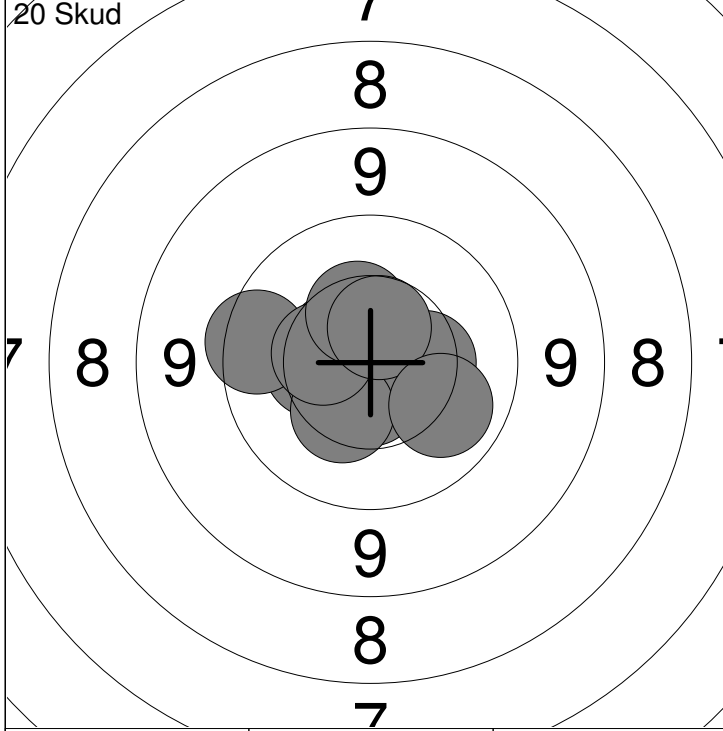
Hold	Skive	Lars P M Jakobsen		
104	3	Aalborg	Vilsted Skytteforening	MVÅ1
15.02.2018	Jyllandsstævnet	Aalborg Skyttekreds		
Prøve		1:	10.4	→
		2:	9.4	↗
		3:	9.6	↖
		4:	9.9	↗
		5:	9.8	↗
		6:	10.3	↗
		7:	9.8	↗
		8:	10.4	←
		9:	10.3	↖
		Serie		85
		Total		0
20 Skud		1:	10.4	↑
		2:	10.7x	↑
		3:	10.2	←
		4:	10.5	↗
		5:	10.7x	↘
		6:	10.1	↘
		7:	9.7	↘
		8:	10.2	↘
		9:	10.4	↗
		10:	10.2	←
		Serie		99
		Total		99
20 Skud		11:	10.7x	→
		12:	9.8	←
		13:	10.4	↙
		14:	9.9	→
		15:	10.5	↙
		16:	10.4	↑
		17:	10.7x	↘
		18:	10.5x	↗
		19:	9.9	→
		20:	10.0	↑
		Serie		97
		Total		196





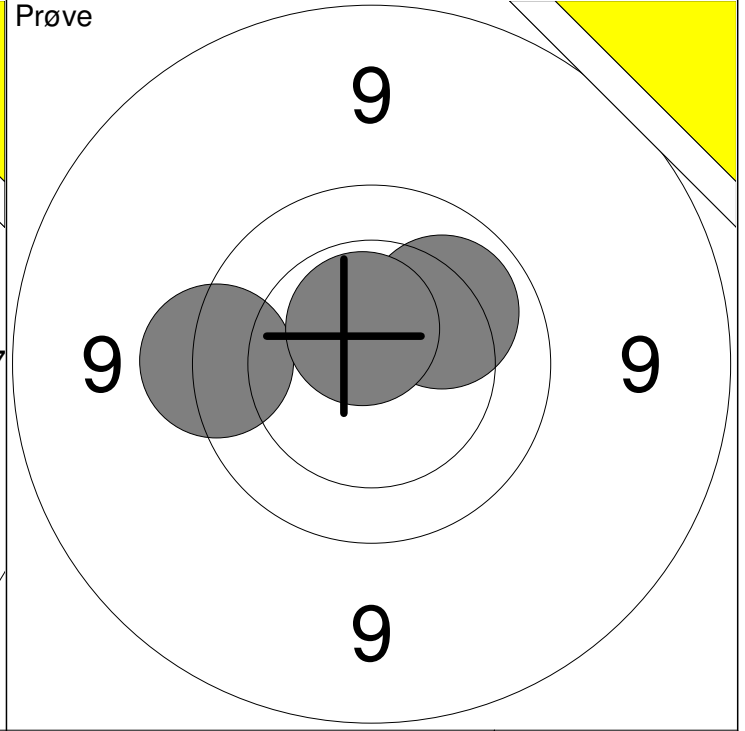
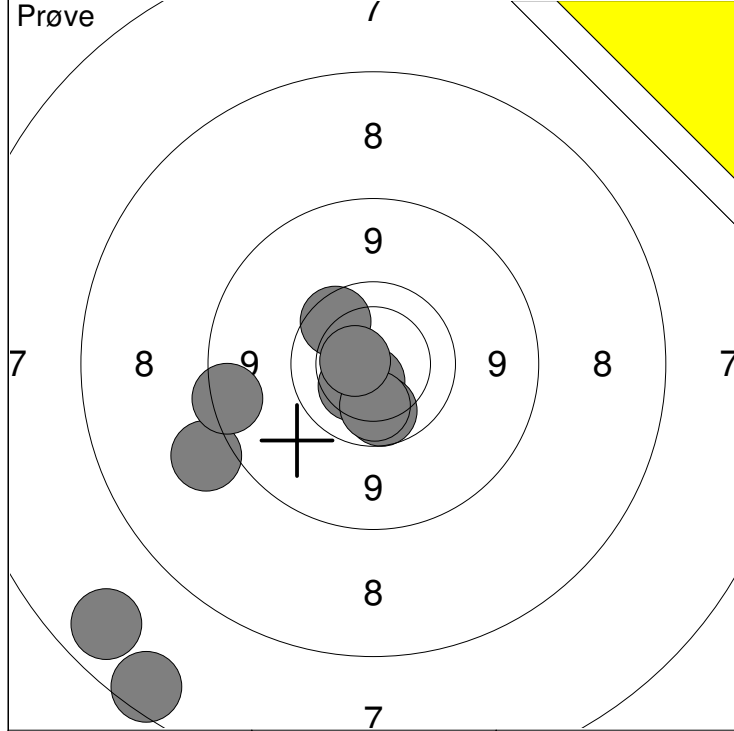
1: 10.0 ↑	6: 9.9 ↖	Serie 94
2: 9.4 ↑	7: 10.4 ↘	
3: 8.7 ↗	8: 9.2 ↗	Total 0
4: 9.6 ↗	9: 10.5 ↘	
5: 10.1 →	10: 10.3 ↗	

11: 9.0 ↑	16: 10.3 ↖	Serie 58
12: 10.2 ↗	13: 9.8 ←	
14: 10.4 ↗	15: 10.4 ↑	Total 0



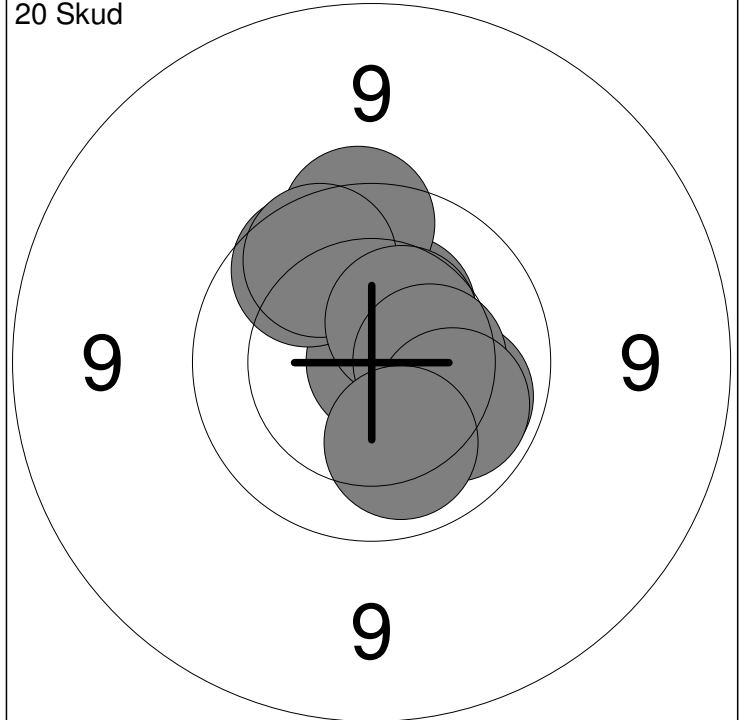
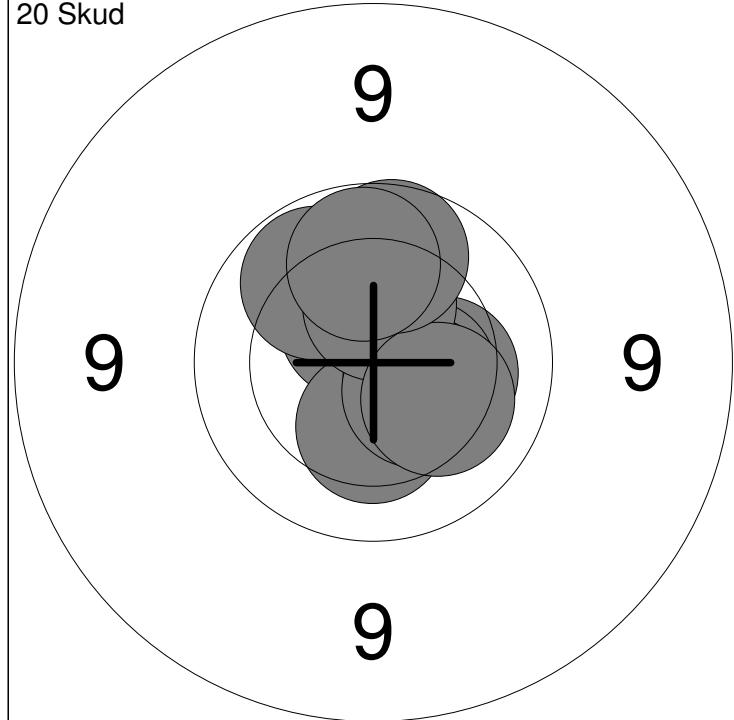
1: 10.6x ↓	6: 10.4 ↘	Serie 99
2: 10.4 ←	7: 10.4 ←	
3: 10.4 →	8: 10.4 ↑	Total 99
4: 10.6 ↗	9: 10.6 ↑	
5: 9.7 ←	10: 10.1 ↘	

11: 10.6x ↗	16: 10.4 →	Serie 98
12: 10.4 ↘	17: 10.4 ↗	
13: 10.8x ↓	18: 10.4 ↓	Total 197
14: 9.9 ↗	19: 10.1 ↘	
15: 9.9 ↑	20: 10.8x ↖	



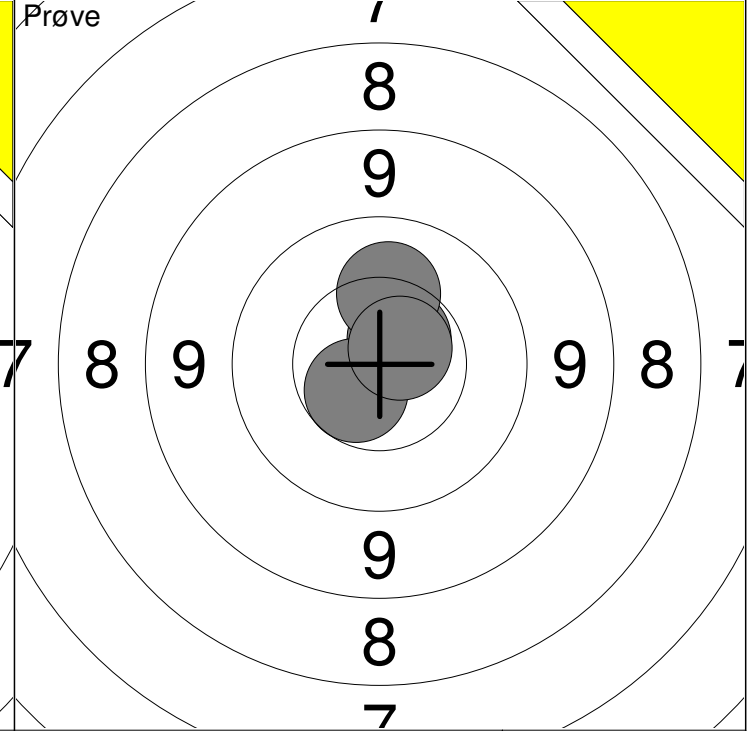
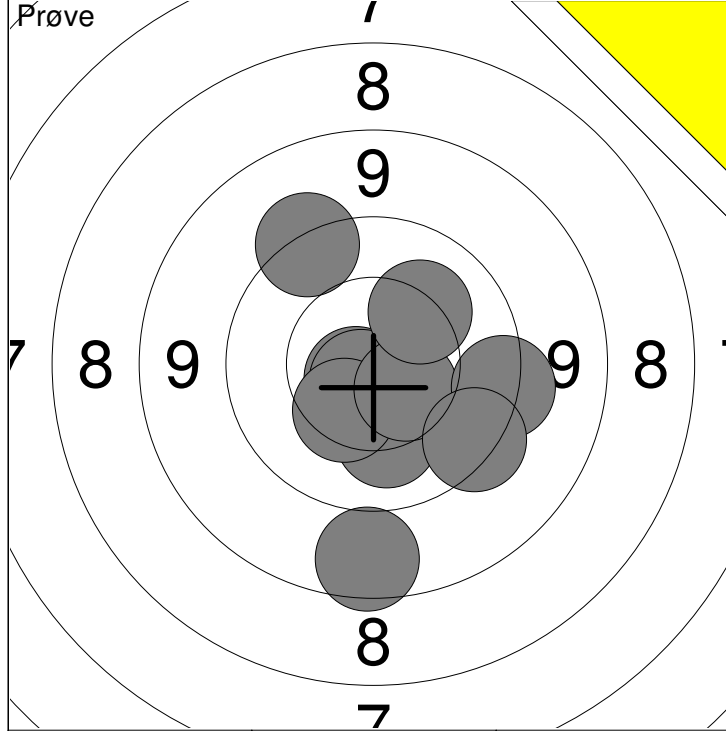
1: 6.9 ↙	6: 9.9 ↓	Serie	87
2: 7.0 ↙	7: 10.3 ↙		
3: 8.5 ↙	8: 10.1 ↓	Total	0
4: 8.8 ←	9: 9.8 ↗		
5: 10.6x ↓	10: 10.6x ←		

11: 9.7 ←	Serie	29
12: 10.1 ↗		
13: 10.6x ↑	Total	0



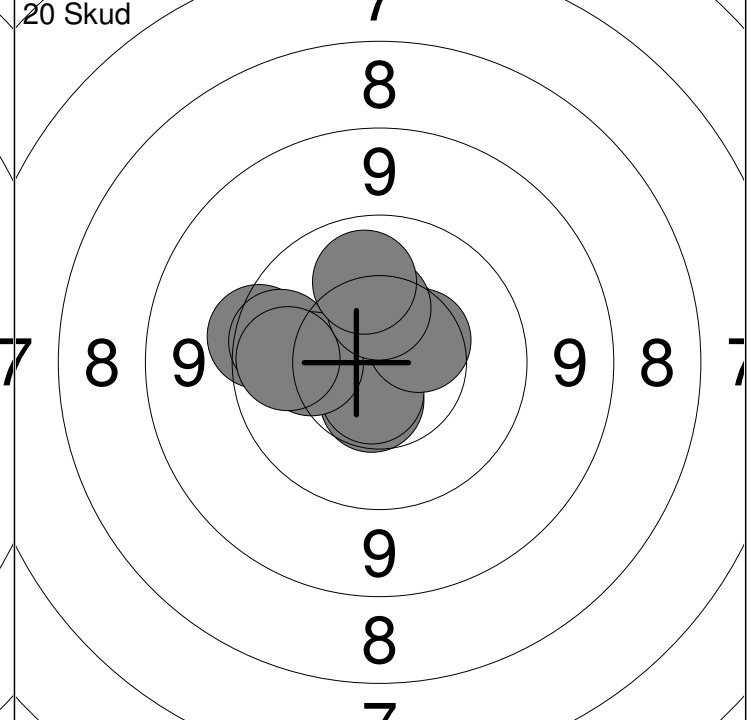
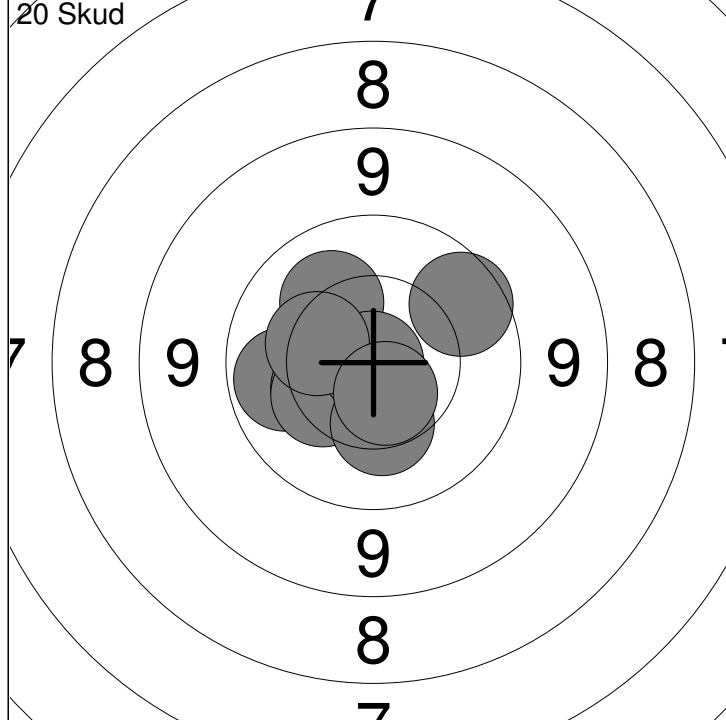
1: 10.5x ↗	6: 10.4 ↘	Serie	99
2: 10.3 ↓	7: 10.4 ↑		
3: 10.3 →	8: 10.2 ↘	Total	99
4: 10.5 →	9: 9.9 ↑		
5: 10.0 ↗	10: 10.0 ↑		

11: 10.8x →	16: 9.9 ↗	Serie	97
12: 10.1 →	17: 10.5 ↗		
13: 10.4 ↗	18: 10.4 →	Total	196
14: 9.9 ↗	19: 10.1 ↘		
15: 9.7 ↑	20: 10.1 ↓		



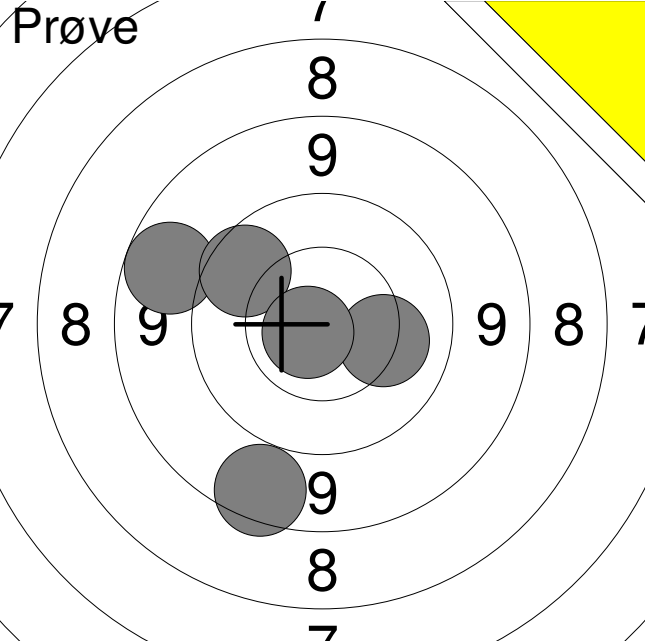
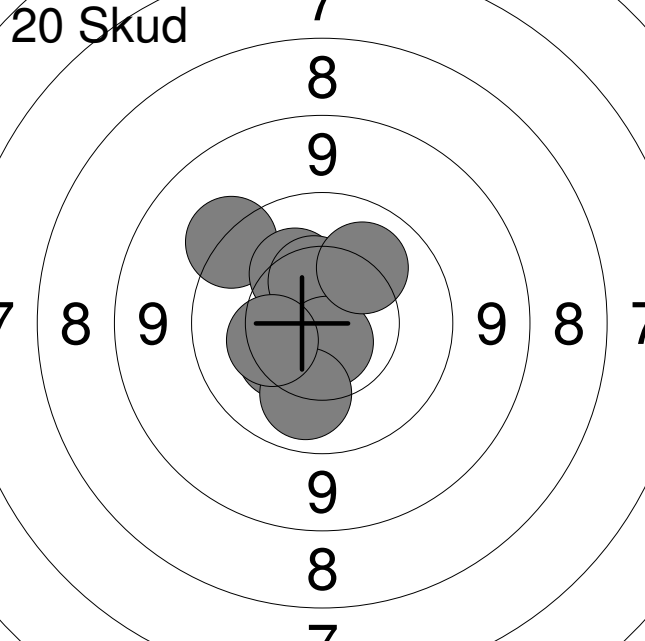
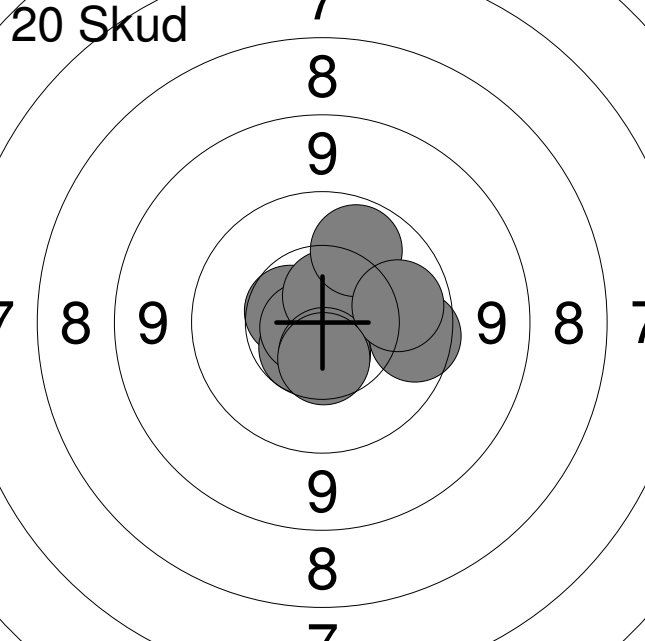
1: 10.2 ↓	6: 10.4 ↘	Serie	95
2: 8.8 ↓	7: 10.5 ↘		
3: 10.7x ↙	8: 9.5 →	Total	0
4: 9.5 ↗	9: 9.6 ↘		
5: 10.7x ↙	10: 10.2 ↗		

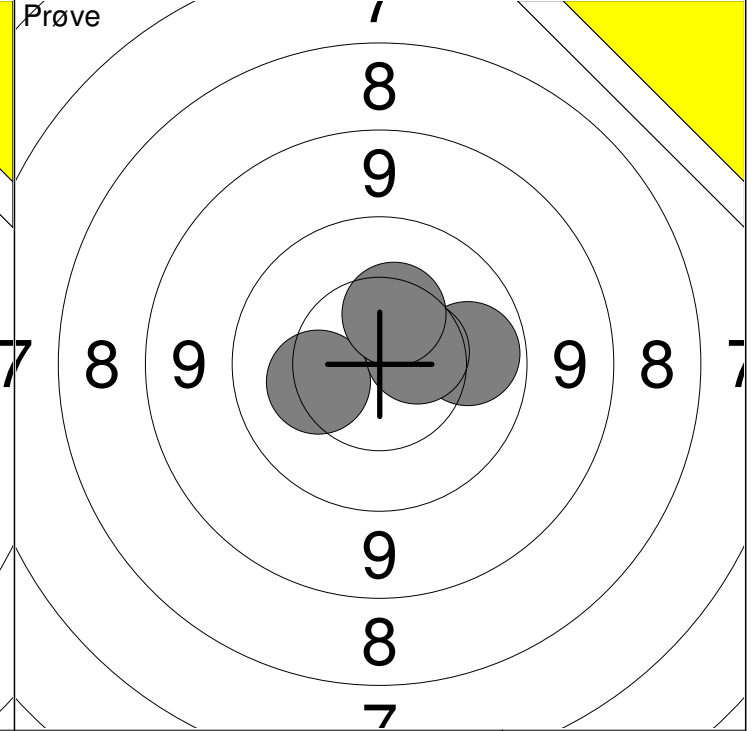
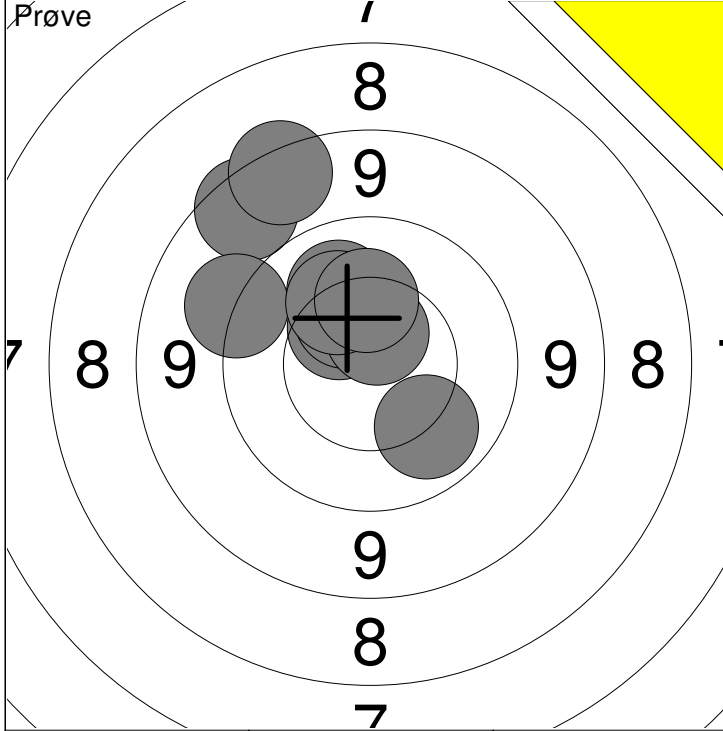
11: 10.6x ↗	Serie	40
12: 10.6 ↙		
13: 10.2 ↑	Total	0
14: 10.7x ↗		



1: 9.8 ↗	6: 10.3 ↙	Serie	99
2: 10.0 ←	7: 10.3 ↓		
3: 10.6 ↖	8: 10.9x ↙	Total	99
4: 10.2 ↗	9: 10.3 ↖		
5: 10.4 ↙	10: 10.6x ↓		

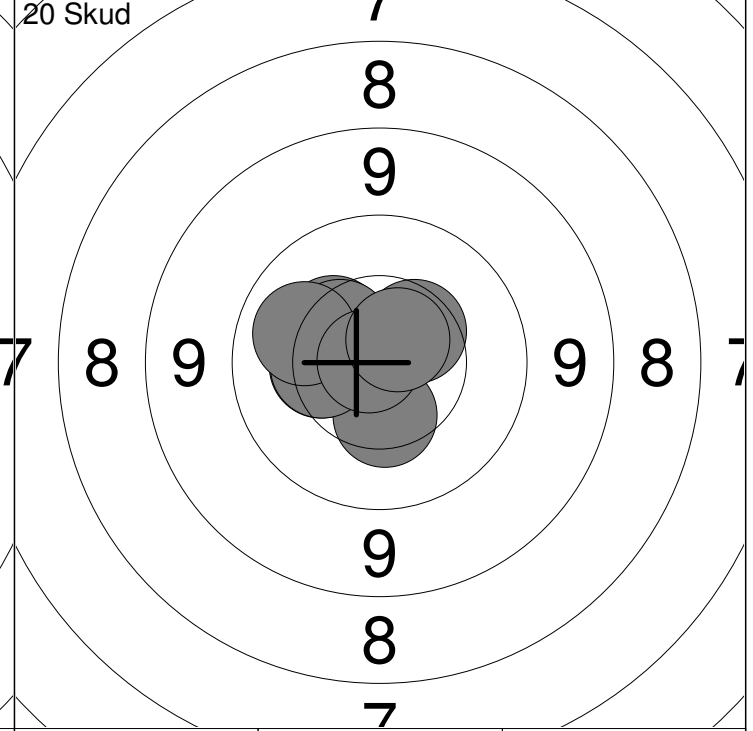
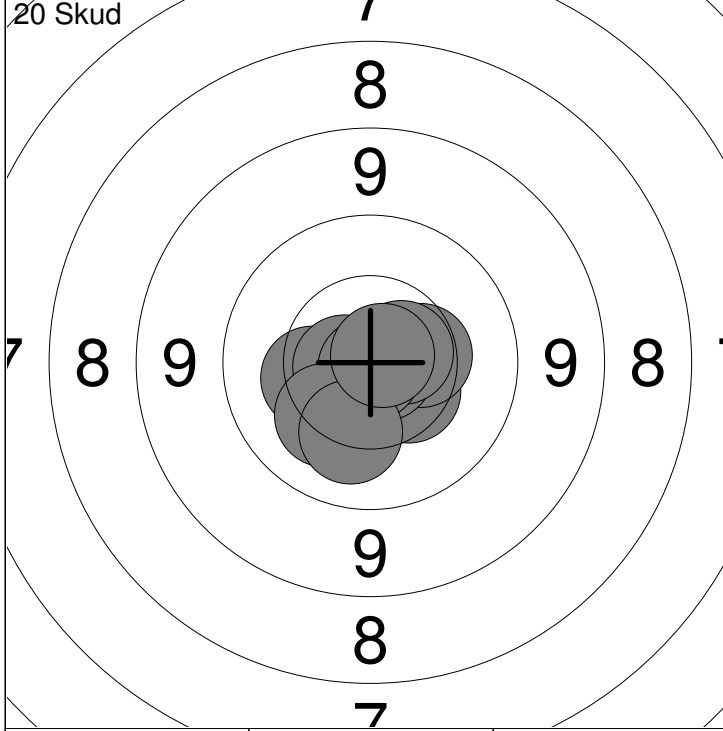
11: 10.5 ↓	16: 10.2 ←	Serie	98
12: 10.6 ↗	17: 10.0 ←		
13: 9.6 ↖	18: 10.5 ↗	Total	197
14: 10.6x ↓	19: 10.4 ↑		
15: 9.9 ↖	20: 10.1 ↑		

Hold <b>105</b>	Skive <b>4</b>	<b>Rasmus Møller Larsen</b>																																
Aalborg		Vilsted Skytteforening		VÅ1																														
15.02.2018		Jyllandsstævnet		Aalborg Skyttekreds																														
<b>Prøve</b>		<table border="0"> <tr><td>1:</td><td>8.7</td><td>↓</td></tr> <tr><td>2:</td><td>8.9</td><td>←</td></tr> <tr><td>3:</td><td>10.2</td><td>→</td></tr> <tr><td>4:</td><td>9.8</td><td>↗</td></tr> <tr><td>5:</td><td>10.7x</td><td>↖</td></tr> </table>			1:	8.7	↓	2:	8.9	←	3:	10.2	→	4:	9.8	↗	5:	10.7x	↖															
1:	8.7	↓																																
2:	8.9	←																																
3:	10.2	→																																
4:	9.8	↗																																
5:	10.7x	↖																																
		<table border="0"> <tr><td>Serie</td><td></td><td>45</td></tr> <tr><td>Total</td><td></td><td>0</td></tr> </table>			Serie		45	Total		0																								
Serie		45																																
Total		0																																
<b>20 Skud</b>		<table border="0"> <tr><td>1:</td><td>9.5</td><td>↗</td></tr> <tr><td>2:</td><td>10.9x</td><td>↖</td></tr> <tr><td>3:</td><td>10.4</td><td>↖</td></tr> <tr><td>4:</td><td>10.5</td><td>↖</td></tr> <tr><td>5:</td><td>10.3</td><td>↗</td></tr> <tr><td>6:</td><td>10.4</td><td>↑</td></tr> <tr><td>7:</td><td>10.7x</td><td>↓</td></tr> <tr><td>8:</td><td>10.1</td><td>↓</td></tr> <tr><td>9:</td><td>10.3</td><td>←</td></tr> <tr><td>10:</td><td>10.1</td><td>↗</td></tr> </table>			1:	9.5	↗	2:	10.9x	↖	3:	10.4	↖	4:	10.5	↖	5:	10.3	↗	6:	10.4	↑	7:	10.7x	↓	8:	10.1	↓	9:	10.3	←	10:	10.1	↗
1:	9.5	↗																																
2:	10.9x	↖																																
3:	10.4	↖																																
4:	10.5	↖																																
5:	10.3	↗																																
6:	10.4	↑																																
7:	10.7x	↓																																
8:	10.1	↓																																
9:	10.3	←																																
10:	10.1	↗																																
		<table border="0"> <tr><td>Serie</td><td></td><td>99</td></tr> <tr><td>Total</td><td></td><td>99</td></tr> </table>			Serie		99	Total		99																								
Serie		99																																
Total		99																																
<b>20 Skud</b>		<table border="0"> <tr><td>11:</td><td>10.5</td><td>↖</td></tr> <tr><td>12:</td><td>10.6</td><td>↖</td></tr> <tr><td>13:</td><td>10.7x</td><td>←</td></tr> <tr><td>14:</td><td>10.6x</td><td>↗</td></tr> <tr><td>15:</td><td>10.6x</td><td>↑</td></tr> <tr><td>16:</td><td>10.6</td><td>↓</td></tr> <tr><td>17:</td><td>10.0</td><td>↗</td></tr> <tr><td>18:</td><td>9.8</td><td>→</td></tr> <tr><td>19:</td><td>10.0</td><td>→</td></tr> <tr><td>20:</td><td>10.5</td><td>↓</td></tr> </table>			11:	10.5	↖	12:	10.6	↖	13:	10.7x	←	14:	10.6x	↗	15:	10.6x	↑	16:	10.6	↓	17:	10.0	↗	18:	9.8	→	19:	10.0	→	20:	10.5	↓
11:	10.5	↖																																
12:	10.6	↖																																
13:	10.7x	←																																
14:	10.6x	↗																																
15:	10.6x	↑																																
16:	10.6	↓																																
17:	10.0	↗																																
18:	9.8	→																																
19:	10.0	→																																
20:	10.5	↓																																
		<table border="0"> <tr><td>Serie</td><td></td><td>99</td></tr> <tr><td>Total</td><td></td><td>198</td></tr> </table>			Serie		99	Total		198																								
Serie		99																																
Total		198																																



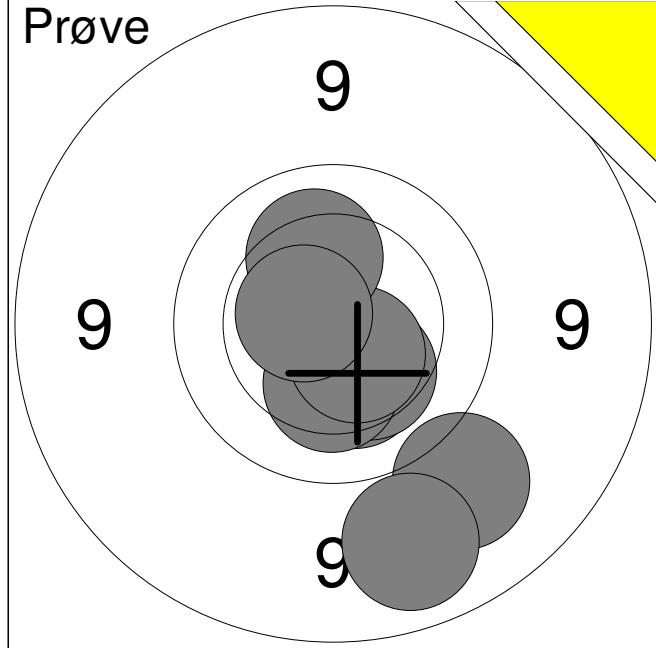
1: 8.8 ↗	6: 10.6x ↗	Serie 95
2: 8.6 ↗	7: 10.1 ↗	
3: 9.4 ↗	8: 10.2 ↗	Total 0
4: 10.4 ↗	9: 10.3 ↗	
5: 10.4 ↗	10: 10.1 ↘	

11: 10.3 ←	Serie 40
12: 10.0 →	
13: 10.5 →	Total 0
14: 10.4 ↗	

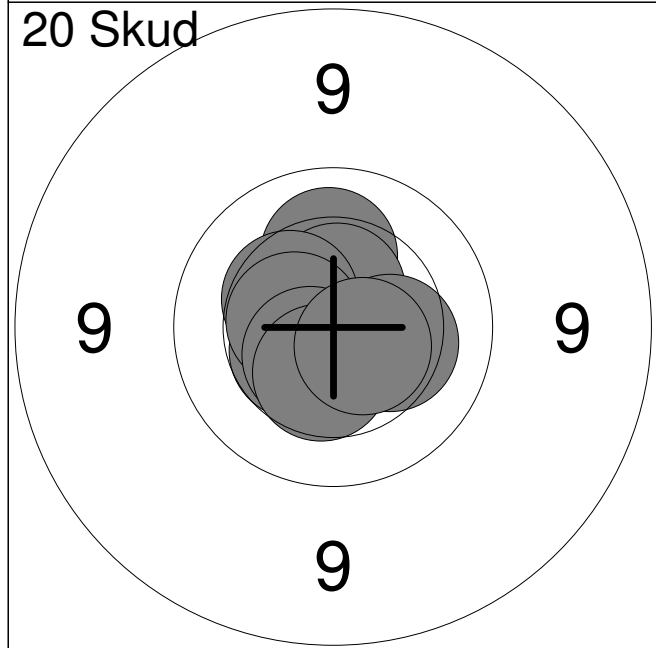


1: 10.4 ↘	6: 10.6x →	Serie 100
2: 10.4 →	7: 10.9x ↓	
3: 10.3 ←	8: 10.2 ↓	Total 100
4: 10.7x ←	9: 10.2 ↓	
5: 10.8x ↘	10: 10.8x →	

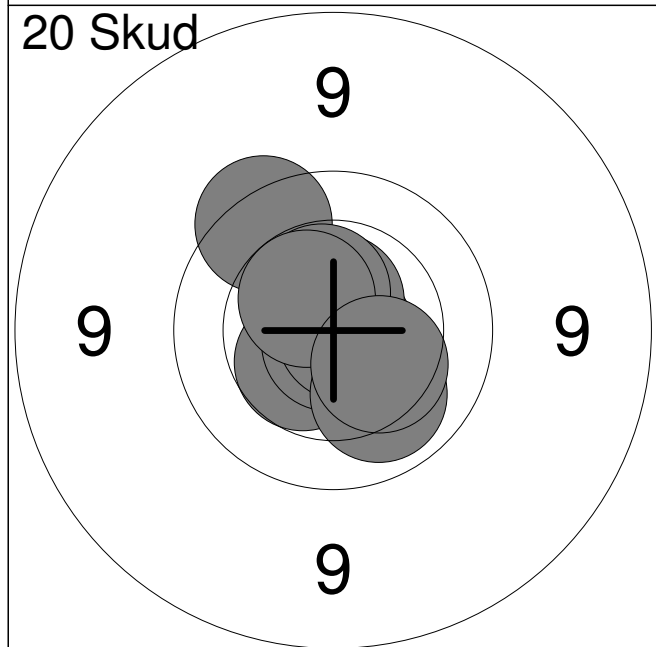
11: 10.9x ↓	16: 10.4 ↗	Serie 100
12: 10.3 ←	17: 10.1 ↗	
13: 10.4 ↓	18: 10.8x ←	Total 200
14: 10.3 ←	19: 10.5 ↗	
15: 10.3 ↗	20: 10.6x ↗	



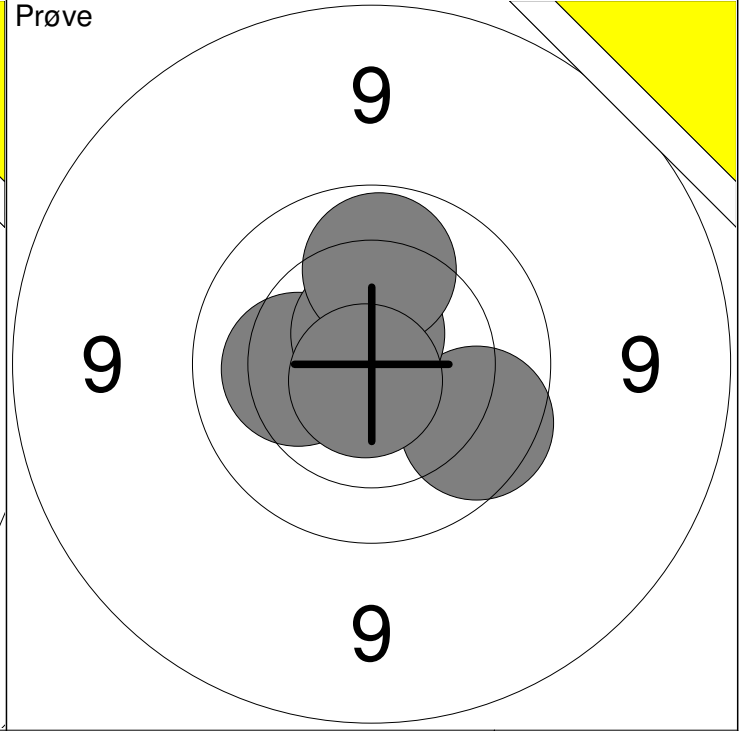
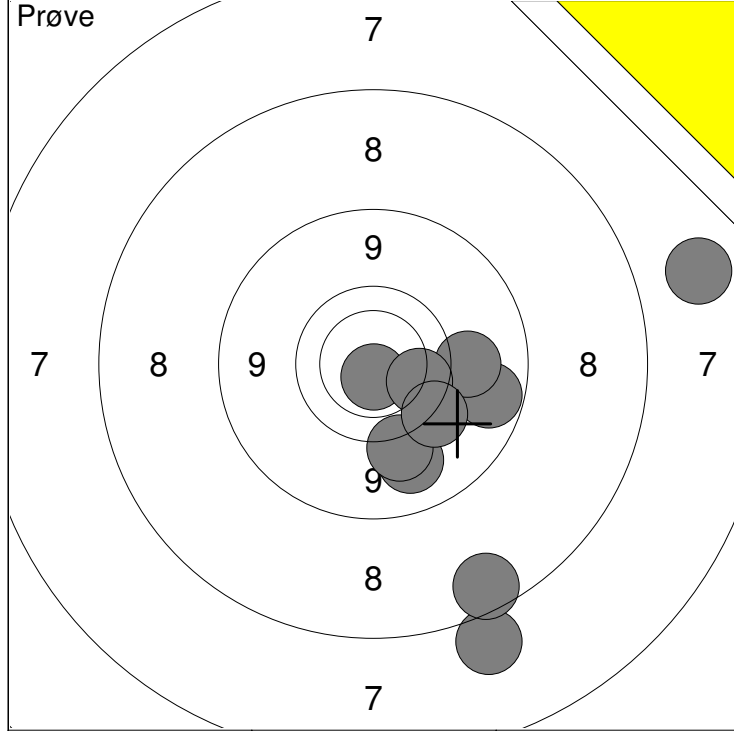
1:	9.2	↘
2:	9.1	↘
3:	10.3	↘
4:	10.3	↘
5:	10.3	↘
6:	10.5x	↘
7:	10.2	↗
8:	10.6x	↖
<b>Serie</b>		<b>78</b>
<b>Total</b>		<b>0</b>



1:	10.2	↑
2:	10.6x	↑
3:	10.5	↙
4:	10.6x	↙
5:	10.4	↗
6:	10.3	→
7:	10.5x	↙
8:	10.6x	↘
9:	10.4	↘
10:	10.6x	↘
<b>Serie</b>		<b>100</b>
<b>Total</b>		<b>100</b>

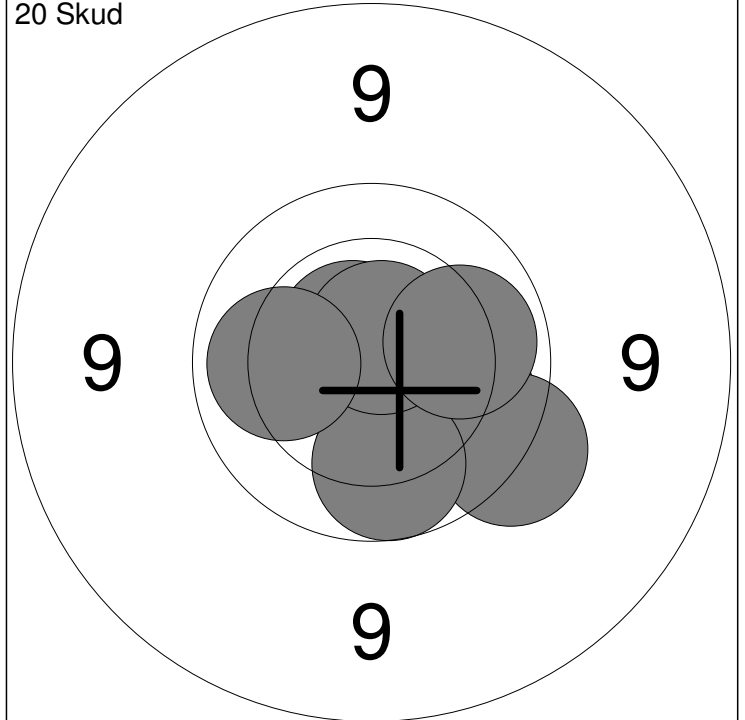
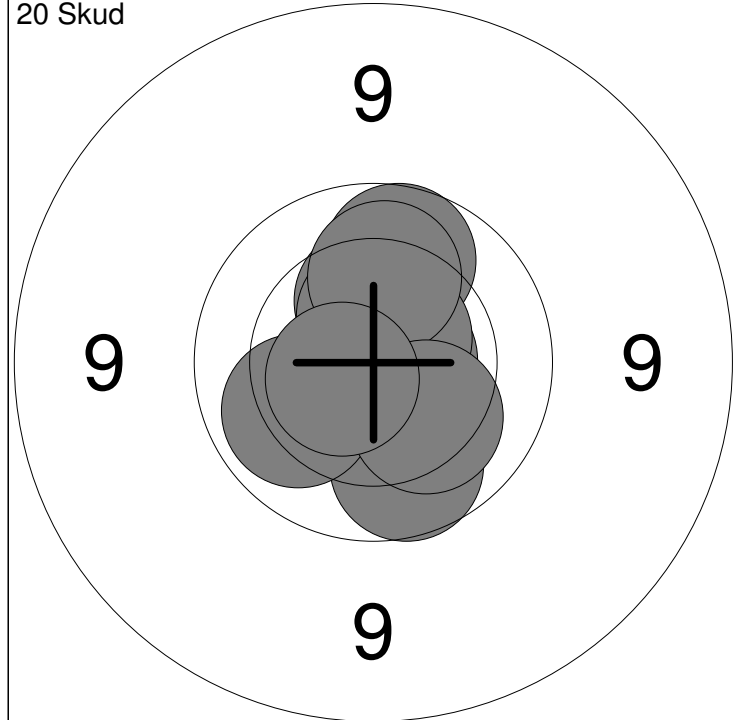


11:	10.6x	↘
12:	10.5	↘
13:	10.8x	↘
14:	10.8x	→
15:	9.7	↗
16:	10.6x	↑
17:	10.5x	↗
18:	10.5x	↗
19:	10.1	↘
20:	10.3	↘
<b>Serie</b>		<b>99</b>
<b>Total</b>		<b>199</b>



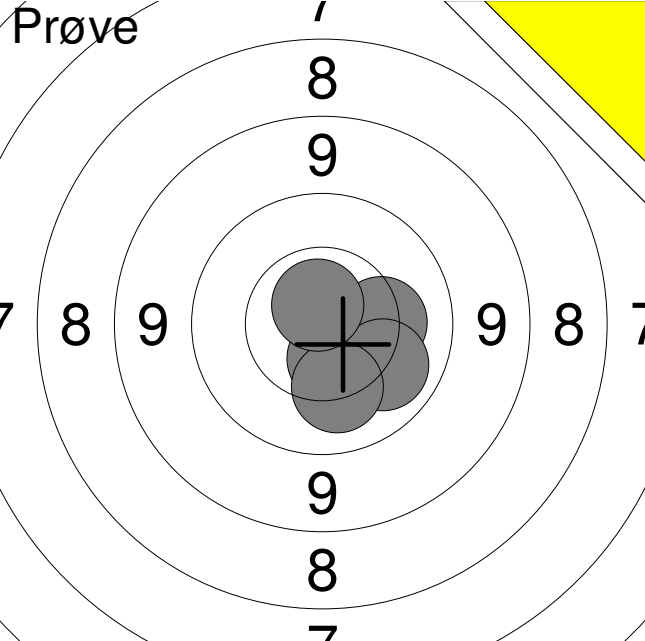
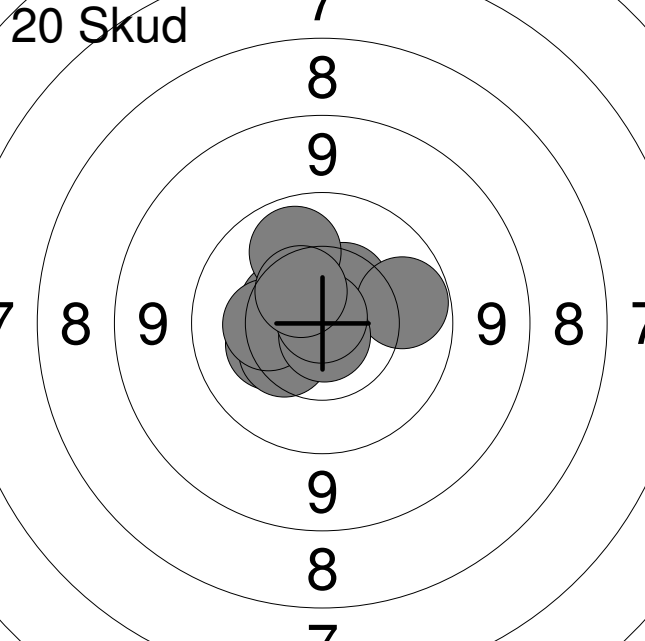
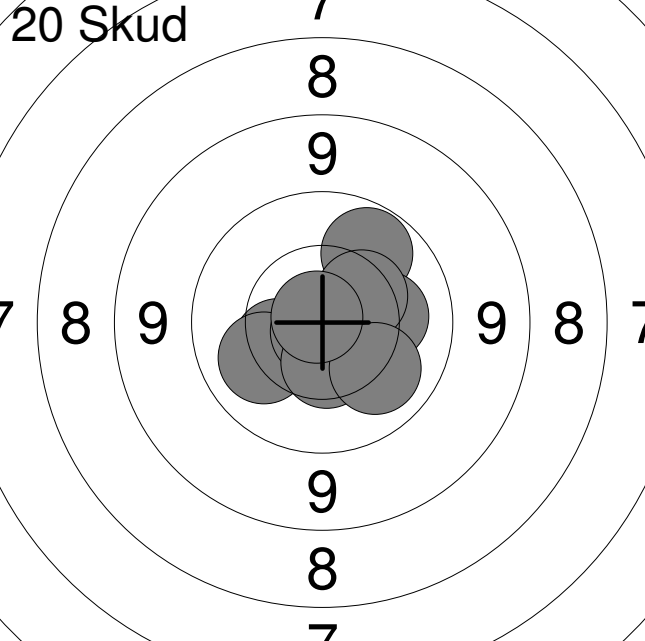
1: 7.1 →	6: 10.7x ↓	Serie	85
2: 7.5 ↓	7: 9.0 →		
3: 7.9 ↓	8: 9.3 →	Total	0
4: 9.2 ↓	9: 9.9 →		
5: 9.4 ↓	10: 9.5 ↓		

11: 9.8 →	Serie	49
12: 10.2 ←		
13: 10.7x ↑	Total	0
14: 10.0 ↑		
15: 10.8x ↓		

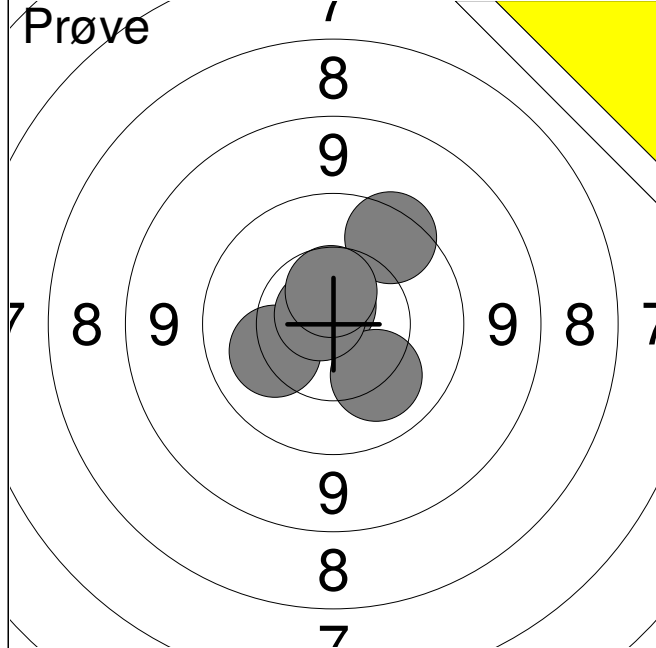


1: 10.3 ↑	6: 10.7x →	Serie	98
2: 10.5x ↑	7: 10.6x ↗		
3: 9.9 ↑	8: 10.1 ↑	Total	98
4: 9.9 ↓	9: 10.2 ↓		
5: 10.1 ↙	10: 10.6x ↙		

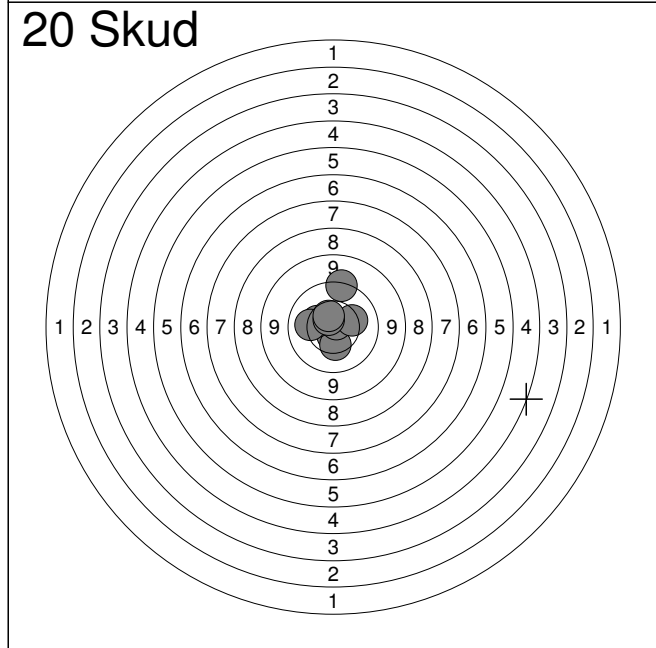
11: 10.5 ↓	Serie	98
12: 10.6x ↗		
13: 10.1 ↓	Total	196
14: 10.0 ↓		
15: 10.0 ↓		

Hold <b>106</b>	Skive <b>4</b>	<b>Rasmus Møller Larsen</b>																																
Aalborg		Vilsted Skytteforening		MVÅ1																														
15.02.2018		Jyllandsstævnet		Aalborg Skyttekreds																														
<b>Prøve</b>		<table border="0"> <tr><td>1:</td><td>10.5</td><td>↘</td></tr> <tr><td>2:</td><td>10.3</td><td>→</td></tr> <tr><td>3:</td><td>10.1</td><td>↘</td></tr> <tr><td>4:</td><td>10.2</td><td>↘</td></tr> <tr><td>5:</td><td>10.7x</td><td>↑</td></tr> </table>			1:	10.5	↘	2:	10.3	→	3:	10.1	↘	4:	10.2	↘	5:	10.7x	↑															
1:	10.5	↘																																
2:	10.3	→																																
3:	10.1	↘																																
4:	10.2	↘																																
5:	10.7x	↑																																
		Serie 50																																
		Total 0																																
<b>20 Skud</b>		<table border="0"> <tr><td>1:</td><td>10.3</td><td>←</td></tr> <tr><td>2:</td><td>10.5</td><td>↗</td></tr> <tr><td>3:</td><td>10.4</td><td>↙</td></tr> <tr><td>4:</td><td>10.5</td><td>↖</td></tr> <tr><td>5:</td><td>10.3</td><td>←</td></tr> <tr><td>6:</td><td>10.0</td><td>→</td></tr> <tr><td>7:</td><td>10.8x</td><td>↘</td></tr> <tr><td>8:</td><td>10.9x</td><td>↑</td></tr> <tr><td>9:</td><td>10.1</td><td>↗</td></tr> <tr><td>10:</td><td>10.5</td><td>↗</td></tr> </table>			1:	10.3	←	2:	10.5	↗	3:	10.4	↙	4:	10.5	↖	5:	10.3	←	6:	10.0	→	7:	10.8x	↘	8:	10.9x	↑	9:	10.1	↗	10:	10.5	↗
1:	10.3	←																																
2:	10.5	↗																																
3:	10.4	↙																																
4:	10.5	↖																																
5:	10.3	←																																
6:	10.0	→																																
7:	10.8x	↘																																
8:	10.9x	↑																																
9:	10.1	↗																																
10:	10.5	↗																																
		Serie 100																																
		Total 100																																
<b>20 Skud</b>		<table border="0"> <tr><td>11:</td><td>10.0</td><td>↗</td></tr> <tr><td>12:</td><td>10.6x</td><td>↘</td></tr> <tr><td>13:</td><td>10.4</td><td>↙</td></tr> <tr><td>14:</td><td>10.2</td><td>→</td></tr> <tr><td>15:</td><td>10.1</td><td>↙</td></tr> <tr><td>16:</td><td>10.8x</td><td>↘</td></tr> <tr><td>17:</td><td>10.5</td><td>↘</td></tr> <tr><td>18:</td><td>10.4</td><td>↗</td></tr> <tr><td>19:</td><td>10.1</td><td>↘</td></tr> <tr><td>20:</td><td>10.9x</td><td>↗</td></tr> </table>			11:	10.0	↗	12:	10.6x	↘	13:	10.4	↙	14:	10.2	→	15:	10.1	↙	16:	10.8x	↘	17:	10.5	↘	18:	10.4	↗	19:	10.1	↘	20:	10.9x	↗
11:	10.0	↗																																
12:	10.6x	↘																																
13:	10.4	↙																																
14:	10.2	→																																
15:	10.1	↙																																
16:	10.8x	↘																																
17:	10.5	↘																																
18:	10.4	↗																																
19:	10.1	↘																																
20:	10.9x	↗																																
		Serie 100																																
		Total 200																																

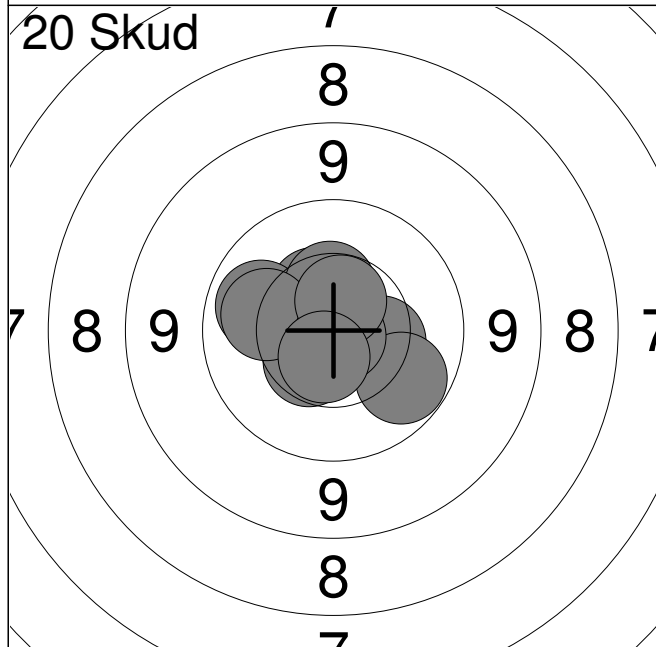




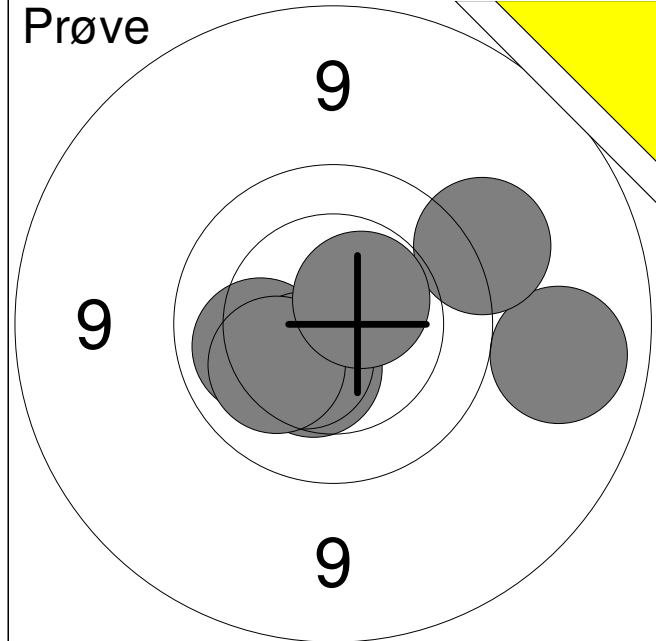
1:	10.7x	↑
2:	9.7	↗
3:	10.2	↘
4:	10.2	↖
5:	10.8x	↗
6:	10.6	↑
<b>Serie</b>		<b>59</b>
<b>Total</b>		<b>0</b>



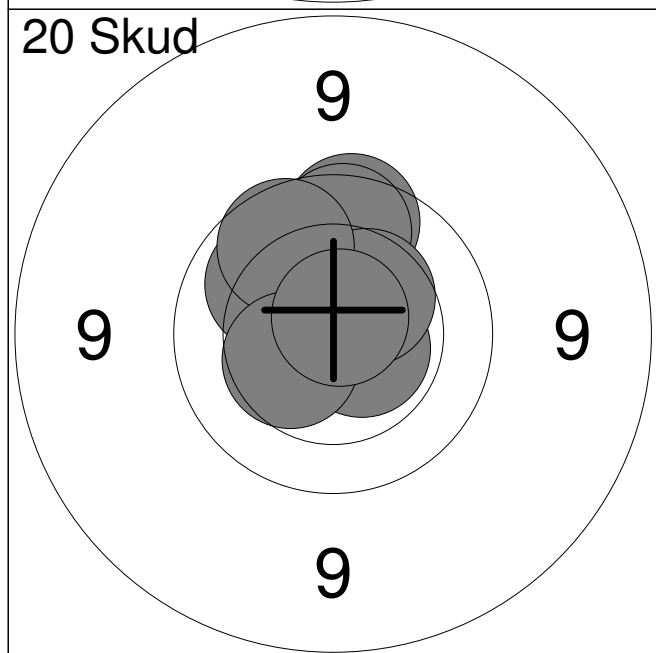
1:	10.7x	↓
2:	0.0	→
3:	10.4	↓
4:	10.4	↖
5:	10.8x	↗
6:	10.2	↖
7:	10.3	→
8:	10.7x	↗
9:	10.5	↗
10:	9.5	↑
<b>Serie</b>		<b>89</b>
<b>Total</b>		<b>89</b>



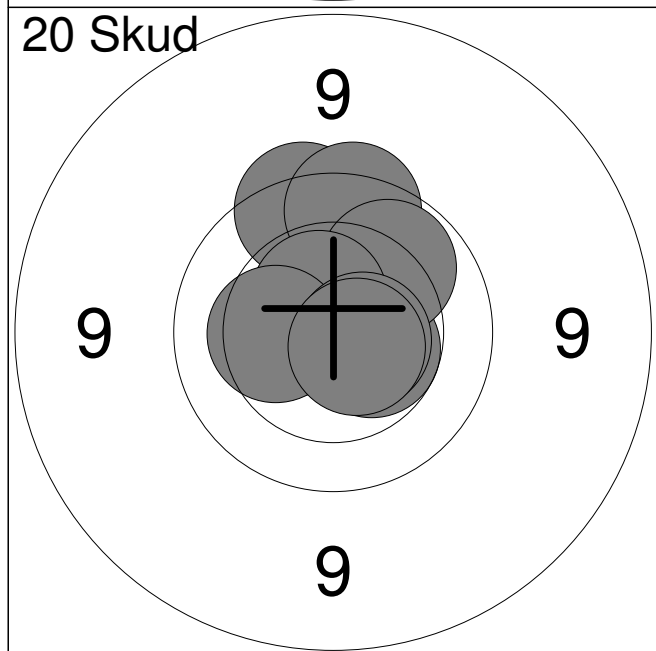
11:	10.5	↗
12:	10.1	↖
13:	10.4	→
14:	10.5	↘
15:	10.4	↑
16:	10.0	↘
17:	10.1	↖
18:	10.8x	↘
19:	10.6x	↑
20:	10.6x	↓
<b>Serie</b>		<b>100</b>
<b>Total</b>		<b>189</b>



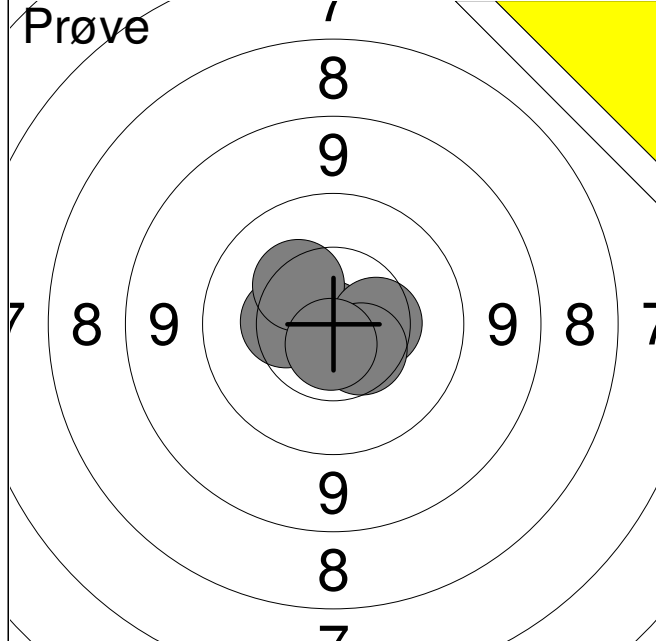
1:	9.1	→
2:	9.5	↗
3:	10.4	↓
4:	10.1	←
5:	10.4	↙
6:	10.2	↖
7:	10.5x	↗
<b>Serie</b>		<b>68</b>
<b>Total</b>		<b>0</b>



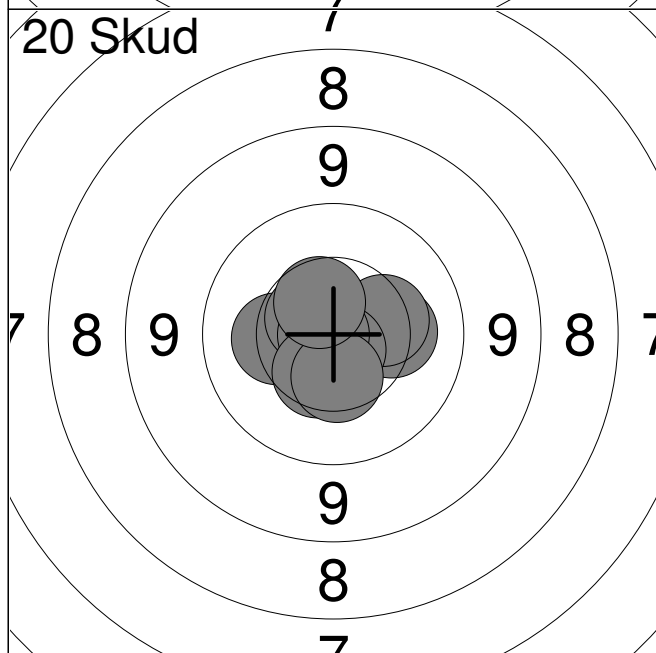
1:	10.2	↖
2:	9.8	↑
3:	10.1	↗
4:	10.6x	↘
5:	9.9	↑
6:	10.1	↗
7:	10.4	↗
8:	9.9	↖
9:	10.4	↖
10:	10.7x	↑
<b>Serie</b>		<b>97</b>
<b>Total</b>		<b>97</b>



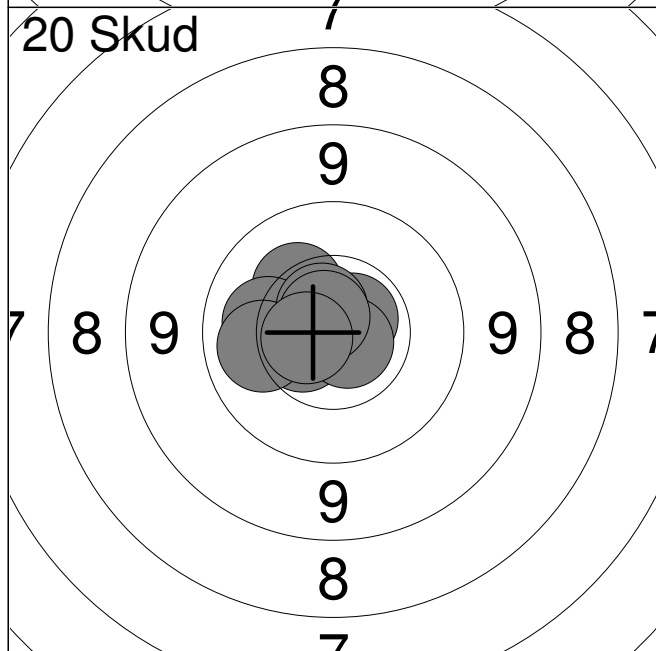
11:	10.9x	↖
12:	9.7	↑
13:	9.7	↑
14:	10.5	↘
15:	10.0	↗
16:	10.6x	←
17:	10.5x	↖
18:	10.3	←
19:	10.6x	↘
20:	10.6x	↘
<b>Serie</b>		<b>98</b>
<b>Total</b>		<b>195</b>



1:	10.9x	↖
2:	10.4	←
3:	10.3	↗
4:	10.4	→
5:	10.5	↘
6:	10.7x	↓
<b>Serie</b>		<b>60</b>
<b>Total</b>		<b>0</b>

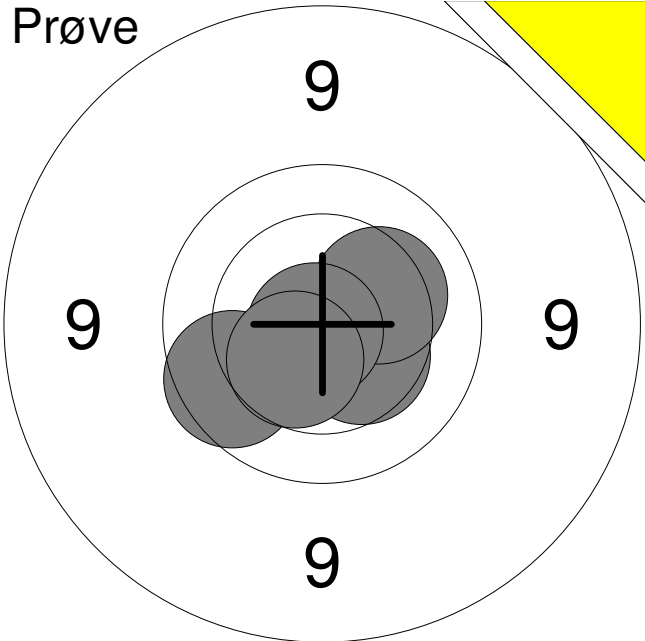


1:	10.3	→
2:	10.3	→
3:	10.7x	↗
4:	10.7x	↓
5:	10.3	←
6:	10.6x	↗
7:	10.8x	←
8:	10.5	↘
9:	10.4	↓
10:	10.5	↗
<b>Serie</b>		<b>100</b>
<b>Total</b>		<b>100</b>



11:	10.7x	↗
12:	10.4	↗
13:	10.3	↗
14:	10.6	←
15:	10.7x	↘
16:	10.2	←
17:	10.6x	↗
18:	10.1	←
19:	10.7x	↗
20:	10.6x	←
<b>Serie</b>		<b>100</b>
<b>Total</b>		<b>200</b>

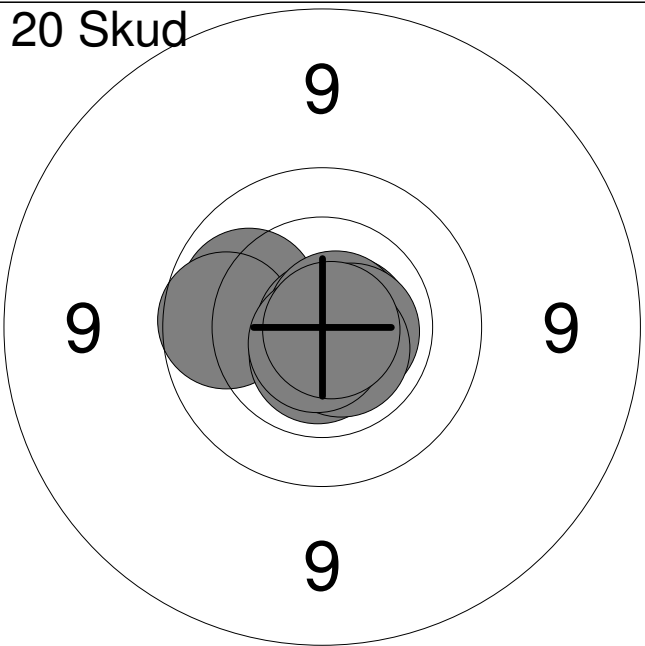
**Prøve**



1:	10.4	↘
2:	10.3	↗
3:	10.8x	↙
4:	9.9	↖
5:	10.5	↘

Serie	49
Total	0

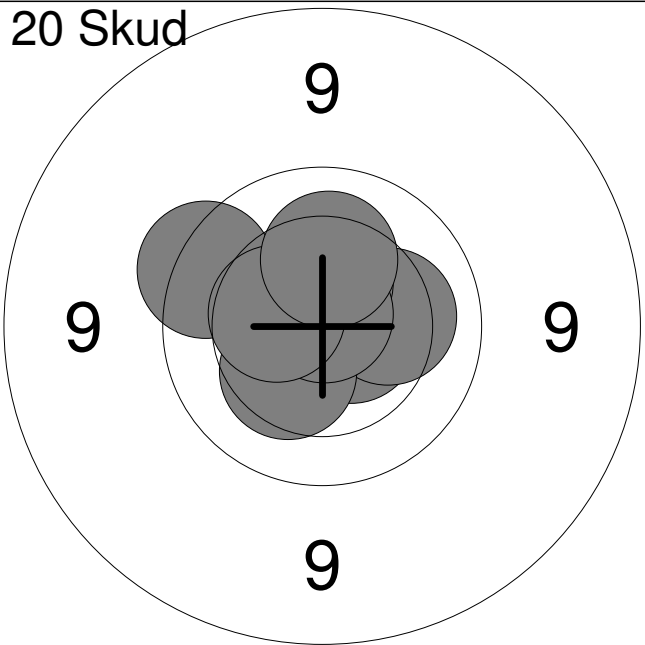
**20 Skud**



1:	10.1	↖
2:	9.9	↖
3:	10.9x	↘
4:	10.7x	↗
5:	10.6x	↘
6:	10.8x	↗
7:	10.6x	↗
8:	10.6x	↘
9:	10.8x	↘
10:	10.8x	↗

Serie	99
Total	99

**20 Skud**



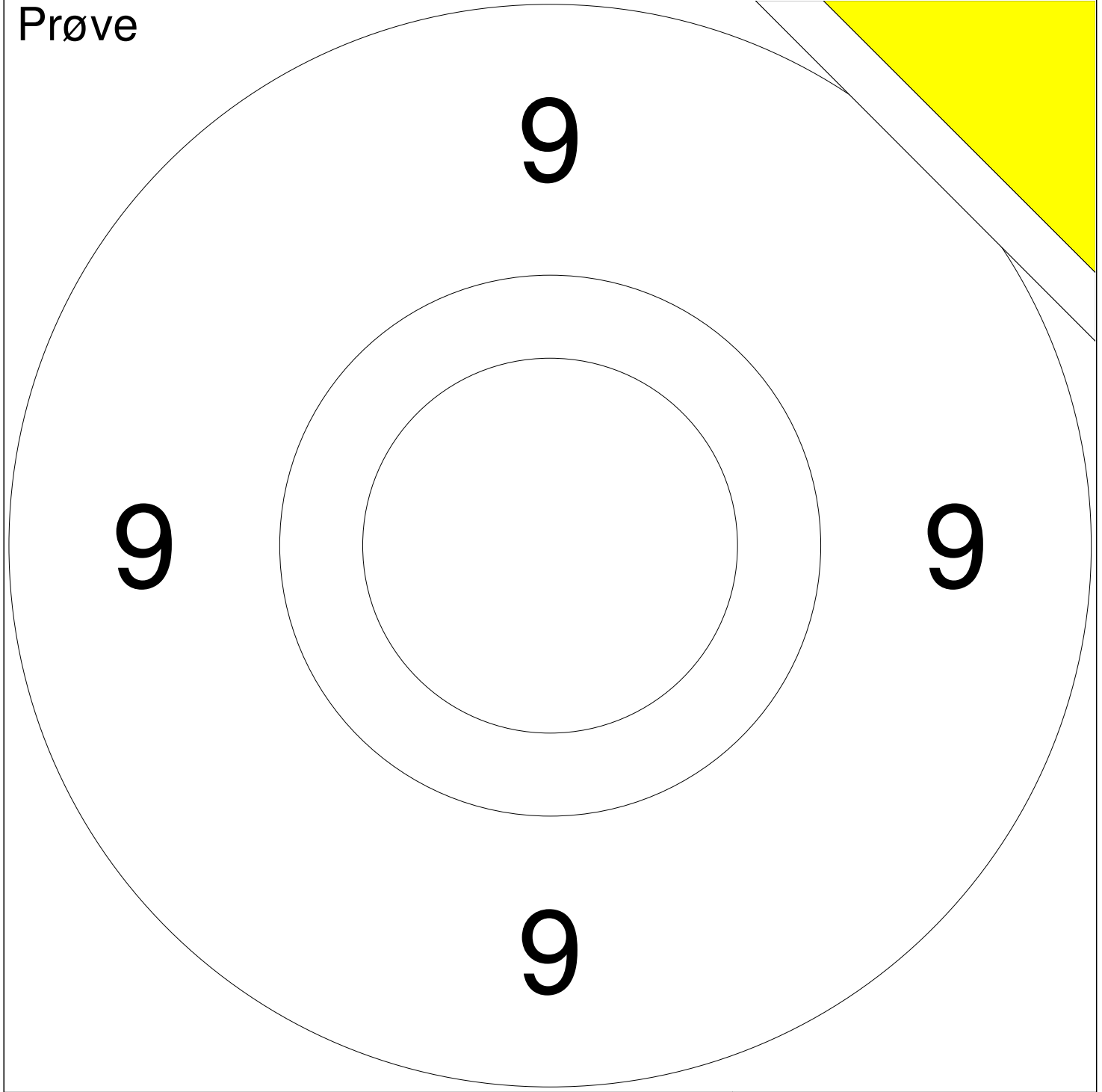
11:	10.8x	↗
12:	10.6x	↗
13:	10.2	↗
14:	10.8x	↖
15:	10.3	↘
16:	10.5	↑
17:	9.7	↖
18:	10.8x	↑
19:	10.4	↖
20:	10.2	↑

Serie	99
Total	198

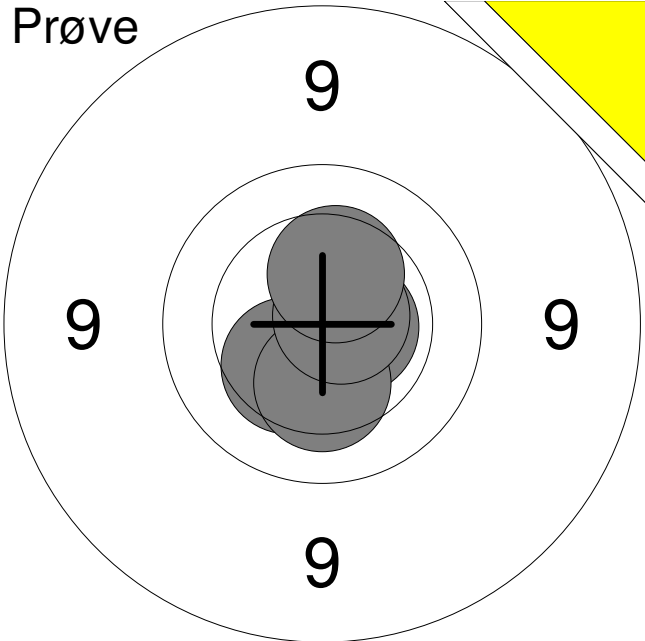
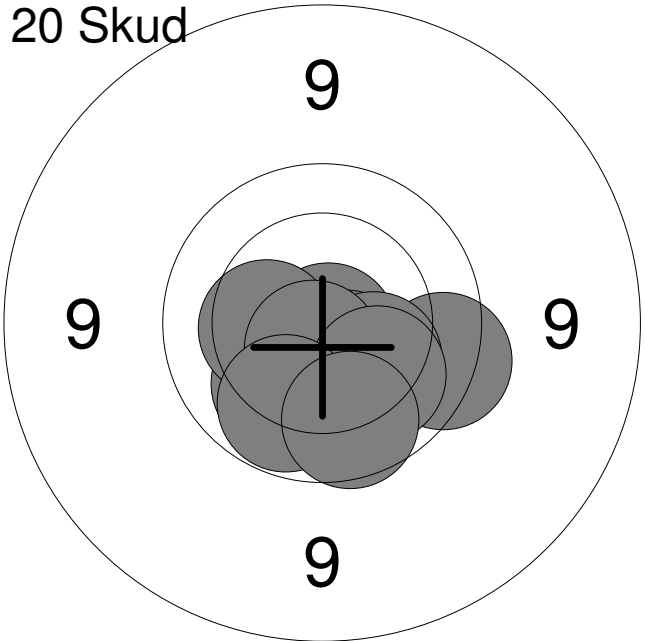
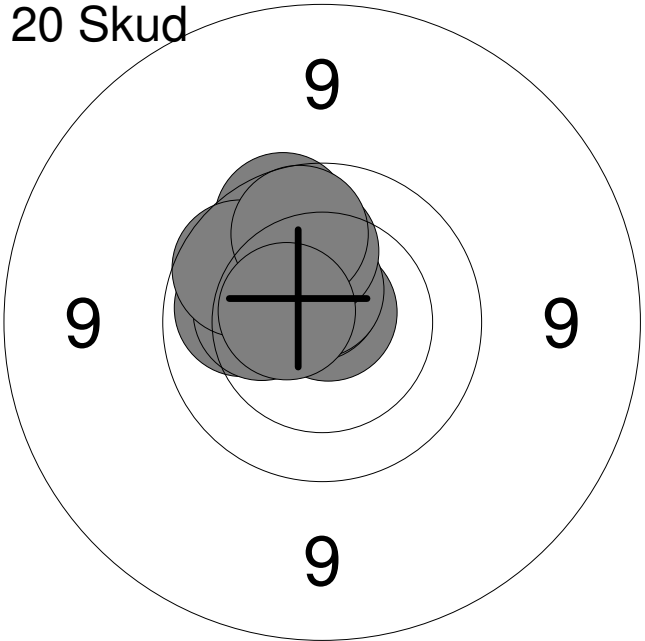
Hold <b>107</b>	Skive <b>10</b>	
--------------------	--------------------	--

Aalborg

15.02.2018      Jyllandsstævnet      Aalborg Skyttekreds



	Serie	0
	Total	0

Hold	Skive	Arne Holm		
107	11	Aalborg	Aalborg Skyttekreds	MSE2
15.02.2018	Jyllandsstævnet	Aalborg Skyttekreds		
<b>Prøve</b> 	1:	10.4	↙	
	2:	10.6x	→	
	3:	10.3	↓	
	4:	10.7x	↗	
	5:	10.4	↑	
<b>Serie</b>				<b>50</b>
<b>Total</b>				<b>0</b>
<b>20 Skud</b> 	1:	10.1	↙	
	2:	9.7	→	
	3:	10.8x	↙	
	4:	10.5	↙	
	5:	10.3	↙	
	6:	10.3	←	
	7:	10.7x	↙	
	8:	10.1	↙	
	9:	10.0	↙	
	10:	9.9	↓	
<b>Serie</b>				<b>98</b>
<b>Total</b>				<b>98</b>
<b>20 Skud</b> 	11:	10.8x	↗	
	12:	9.8	↑	
	13:	10.1	←	
	14:	10.6x	↑	
	15:	10.6x	↑	
	16:	10.2	↑	
	17:	10.3	←	
	18:	9.9	↗	
	19:	9.9	↑	
	20:	10.5x	←	
<b>Serie</b>				<b>97</b>
<b>Total</b>				<b>195</b>